

**Features**

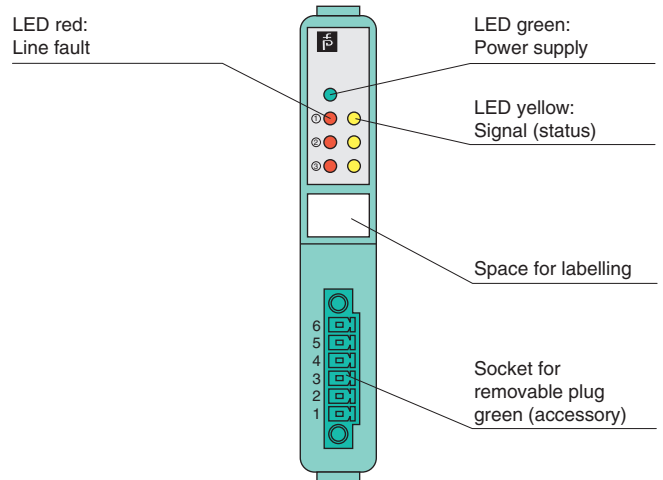
- 1 digital output, 2 digital inputs
- Output voltage 24 V, max. internal resistance 210 Ω
- Installation in Zone 2, Zone 22, or safe area
- Positive or negative logic selectable
- Simulation mode for service operations (forcing)
- Line fault detection (LFD)
- Permanently self-monitoring
- Output with watchdog
- Module can be exchanged under voltage

**Function**

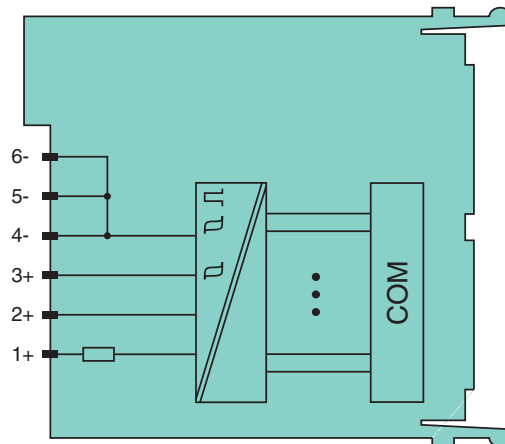
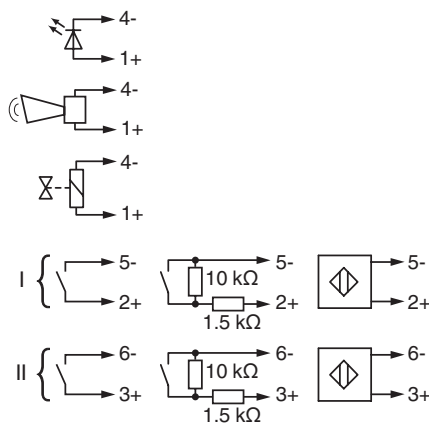
The digital output features 1 output with 2 feedback inputs. The device can be used to switch solenoids, sounders, or indicators (without line fault detection) in the field. Furthermore, the device accepts digital input signals of NAMUR sensors or mechanical contacts from the field. Open and short-circuit line faults are detected. The inputs and the output are galvanically isolated from the bus and the power supply.

**Assembly**

Front view



**Connection**



Zone 2

Release date 2015-01-30 12:28 Date of issue 2015-01-30 541938\_eng.xml

<b>Supply</b>		
Connection		backplane bus
Rated voltage	$U_n$	12 V DC , only in connection with the power supplies LB9***
Power consumption		1.8 W
<b>Internal bus</b>		
Connection		backplane bus
Interface		manufacturer-specific bus to standard com unit
<b>Input</b>		
Number of channels		2
Suitable sensors		mechanical contacts, NAMUR proximity switches, 2-wire initiators
Connection		channel I: 2+, 5-; channel II: 3+, 6-
Rated values		acc. to EN 60947-5-6 (NAMUR)
Switching point/switching hysteresis		1.2 ... 2.1 mA / $\pm$ 0.2 mA
Voltage		8.2 V
Internal resistor		1 k $\Omega$
Line fault detection		can be switched on/off for each channel via configuration tool
Connection		mechanical switch with additional resistors (see connection diagram) , proximity switches without additional wiring
Short-circuit		< 360 $\Omega$
Open-circuit		< 0.35 mA
Minimum pulse duration		1 ms
<b>Output</b>		
Number of channels		1
Suitable field devices		solenoid valves, acoustic alarms and LED indicators (without line fault detection)
Connection		channel I: 1+, 4-
Internal resistor	$R_i$	210 $\Omega$
Open loop voltage	$U_s$	24 V
Current limit	$I_{max}$	75 mA
Response time		20 ms (depending on bus cycle time)
Line fault detection		can be switched on/off for each channel via configuration tool , also when turned off (every 2.5 s the valve is turned on for 2 ms)
Short-circuit		< 110 $\Omega$
Open-circuit		> 1.2 k $\Omega$
Watchdog		within 0.5 s the device goes in safe state, e.g. after loss of communication
<b>Indicators/settings</b>		
LED indicator		LED green: supply LED red: line fault, per channel LED yellow: signal (status), per channel
Coding		optional mechanical coding via front socket
<b>Directive conformity</b>		
Electromagnetic compatibility		
Directive 2004/108/EC		EN 61326-1
<b>Conformity</b>		
Electromagnetic compatibility		NE 21
Degree of protection		IEC 60529
Environmental test		EN 60068-2-14
Shock resistance		EN 60068-2-27
Vibration resistance		EN 60068-2-6
Damaging gas		EN 60068-2-42
Relative humidity		EN 60068-2-56
<b>Ambient conditions</b>		
Ambient temperature		-20 ... 60 °C (-4 ... 140 °F) , 70 °C (non-Ex)
Storage temperature		-25 ... 85 °C (-13 ... 185 °F)
Relative humidity		95 % non-condensing
Shock resistance		shock type I, shock duration 11 ms, shock amplitude 50 m/s <sup>2</sup> , number of shock directions 6, number of shocks per direction 100
Vibration resistance		frequency range 5 ... 500 Hz, amplitude 5 ... 13.2 Hz $\pm$ 1.5 mm, 13.2 ... 100 Hz 1g, sweep rate 1 octave/min, duration 10 sweeps 5 Hz - 100 Hz - 5 Hz
Damaging gas		for plugs: 21 days in 25 ppm SO <sub>2</sub> , at 25 °C and 75 % rel. humidity, device G3
<b>Mechanical specifications</b>		
Degree of protection		IP20 when mounted on backplane
Connection		removable front connector with screw flange (accessory) wiring connection via spring terminals (0.14 ... 1.5 mm <sup>2</sup> ) or screw terminals (0.08 ... 1.5 mm <sup>2</sup> )
Mass		approx. 110 g
Dimensions		16 x 100 x 103 mm (0.63 x 3.9 x 4 in)

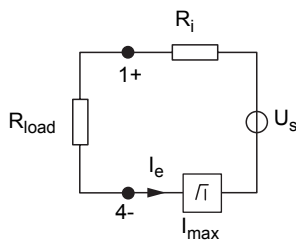
Release date 2015-01-30 12:28 Date of issue 2015-01-30 541938\_eng.xml

Refer to "General Notes Relating to Pepperl+Fuchs Product Information".

<b>Data for application in connection with Ex-areas</b>	
Statement of conformity	PF 08 CERT 1234 X
Group, category, type of protection	Ⓔ II 3 G Ex nA [ic] IIB T4 Gc
Electrical isolation	
Input/power supply, internal bus	safe electrical isolation acc. to EN 60079-11, voltage peak value 375 V
Output/power supply, internal bus	safe electrical isolation acc. to EN 60079-11, voltage peak value 375 V
<b>Directive conformity</b>	
Directive 94/9/EC	EN 60079-0:2009 EN 60079-11:2007 EN 60079-15:2010
<b>International approvals</b>	
IECEx approval	BVS 09.0037X
Approved for	Ex nAc [ic] IIB T4
<b>General information</b>	
System information	The module has to be mounted in appropriate backplanes (LB9***) in Zone 2 or outside hazardous areas. Here, the corresponding declaration of conformity has to be observed. For use in hazardous areas (e. g. Zone 2 or Zone 22) the module must be installed in an appropriate enclosure.
Supplementary information	EC-Type Examination Certificate, Statement of Conformity, Declaration of Conformity, Attestation of Conformity and instructions have to be observed where applicable. For information see <a href="http://www.pepperl-fuchs.com">www.pepperl-fuchs.com</a> .

**Output data**

**Load calculation**



$R_{load} = \text{Field loop resistance}$   
 $U_e = U_s - R_i \times I_e$   
 $I_e = U_s / (R_i + R_{load})$

**Output characteristics**

