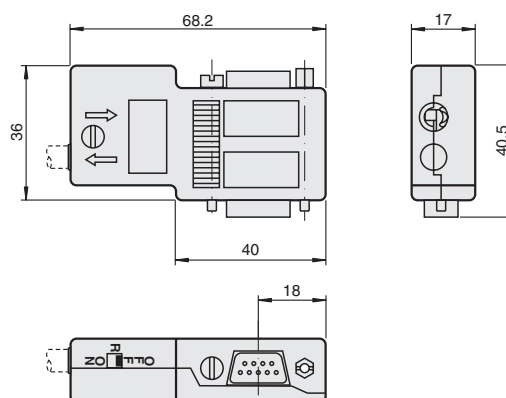


Features

- For PROFIBUS DP, MODBUS, RS 485
- Cable feed below 90°
- With switchable bus termination resistor
- With connector for bus monitor or class 2 master

Dimensions



Technical data

Electrical specifications		
Rated voltage	U_N	60 V AC/DC
Rated current	I_N	1 A
Interface		
Interface type		PROFIBUS DP
Transfer rate		max. 12 MBit/s
Connector pinout		3, 5, 6, 8
Ambient conditions		
Ambient temperature		-20 ... 75 °C (-4 ... 167 °F)
Storage temperature		-25 ... 80 °C (-13 ... 176 °F)
Mechanical specifications		
Core cross-section		max. 1.5 mm ²
Cable diameter		7.6 ... 8.4 mm
Cable gland		screw terminals
Material		
Housing		metallized ABS
Mass		approx. 40 g
Dimensions		(W x H x D) 68.2 mm x 40.5 mm x 17 mm