



Model Number

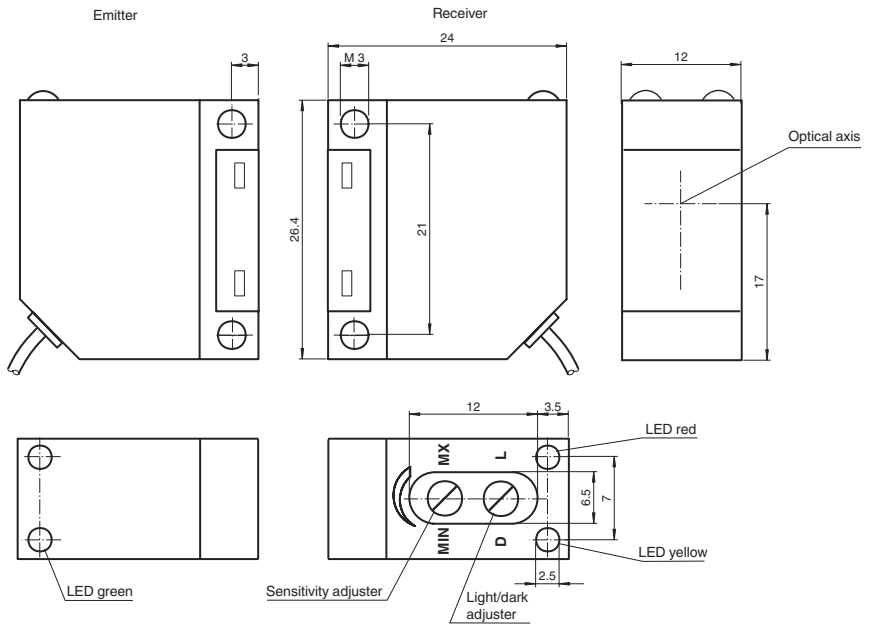
M5/MV5/30/115

Thru-beam sensor
with fixed cable

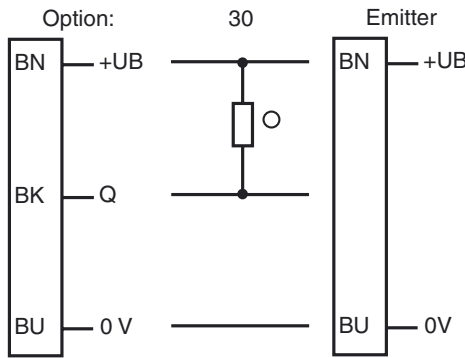
Features

- Miniature design
- Infrared light design
- Light/dark ON, switchable
- Pre-fault indication
- Protection degree IP67

Dimensions



Electrical connection



- = Light on
- = Dark on

Release date: 2011-03-07 15:20 Date of issue: 2011-03-07 800571_ENG.xml

Technical data**System components**

| | |
|----------|------------|
| Emitter | M5/115 |
| Receiver | MV5/30/115 |

General specifications

| | |
|---------------------------|---|
| Effective detection range | 0 ... 5000 mm |
| Threshold detection range | 7000 mm |
| Light source | IREL |
| Light type | modulated infrared light , 950 nm |
| Ambient light limit | ≤ 20000 Lux sun light ≤ 5000 Lux halogen light |

Indicators/operating means

| | |
|------------------|--|
| Function display | LED yellow: switching state LED red: pre-fault indication |
| Controls | Light/Dark switch, sensitivity adjuster |

Electrical specifications

| | | |
|--------------------------------|-------|----------------|
| Operating voltage | U_B | 10 ... 30 V DC |
| Ripple | | 10 % |
| No-load supply current | I_0 | ≤ 30 mA |
| Time delay before availability | t_v | ≤ 30 ms |

Output

| | | |
|---------------------|---|---------|
| Switching type | light/dark on, switchable | |
| Signal output | 1 NPN output, short-circuit protected, reverse polarity protected, open collector | |
| Switching voltage | max. 30 V DC | |
| Switching current | max. 200 mA | |
| Voltage drop | U_d | ≤ 2.5 V |
| Switching frequency | f | 200 Hz |
| Response time | | 2.5 ms |

Ambient conditions

| | |
|---------------------|--------------------------------|
| Ambient temperature | -25 ... 70 °C (-13 ... 158 °F) |
| Storage temperature | -25 ... 70 °C (-13 ... 158 °F) |

Mechanical specifications

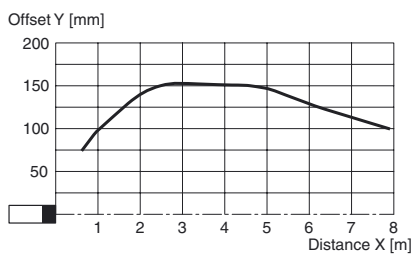
| | |
|-------------------|---|
| Protection degree | IP67 according to EN 60529 |
| Connection | 2 m, 3 x 0.14 mm ² , PUR cable |
| Material | |
| Housing | Polycarbonate |
| Optical face | PMMA |
| Mass | approx. 45 g (device) |

Compliance with standards and directives

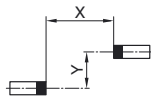
| | |
|---------------------|-------------------|
| Standard conformity | |
| Product standard | EN 60947-5-2:2007 |

Approvals and certificates

| | |
|--------------|--|
| UL approval | cULus Listed, Class 2 Power Source, Type 1 enclosure |
| CCC approval | Products with a maximum operating voltage of ≤36 V do not bear a CCC marking because they do not require approval. |

Curves/Diagrams**Characteristic response curve**

Permissible distance (offset) between the optical axis of the emitter and receiver.

**Accessories****OMH-ML5**

Mounting bracket for series ML5 sensors

Additional accessories can be found in the Internet.