



**Model Number**

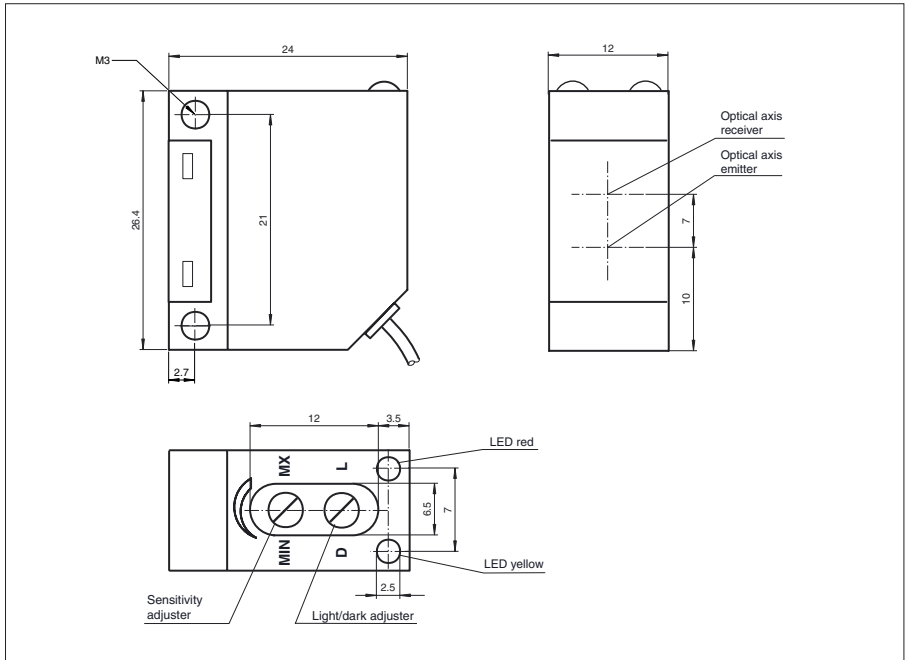
**ML5-8-400/32/115**

Diffuse mode sensor  
with fixed cable

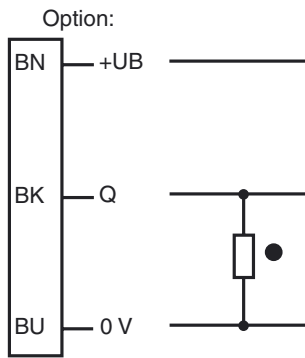
**Features**

- Miniature design
- Infrared light design
- Light/dark ON, switchable
- Pre-fault indication
- Degree of protection IP67
- Thru-holes for screw mounting

**Dimensions**



**Electrical connection**



- = Light on
- = Dark on

Release date: 2015-02-05 11:11 Date of issue: 2015-02-12 800579\_eng.xml

Refer to "General Notes Relating to Pepperl+Fuchs Product Information".

Pepperl+Fuchs Group  
www.pepperl-fuchs.com

USA: +1 330 486 0001  
fa-info@us.pepperl-fuchs.com

Germany: +49 621 776 4411  
fa-info@de.pepperl-fuchs.com

Singapore: +65 6779 9091  
fa-info@sg.pepperl-fuchs.com

**Technical data****General specifications**

Detection range	0 ... 400 mm
Adjustment range	150 ... 400 mm
Reference target	standard white 100 mm X 100 mm
Light source	LED
Light type	modulated infrared light 950 nm
Ambient light limit	≤ 20000 Lux sun light ≤ 5000 Lux halogen light

**Indicators/operating means**

Function indicator	LED yellow: switching state LED red: pre-fault indication
Control elements	Light/Dark switch, sensitivity adjuster

**Electrical specifications**

Operating voltage	$U_B$	10 ... 30 V DC
Ripple		10 %
No-load supply current	$I_0$	≤ 30 mA

**Output**

Switching type	light/dark on, switchable	
Signal output	1 PNP output, short-circuit protected, reverse polarity protected, open collector	
Switching voltage	max. 30 V DC	
Switching current	max. 200 mA	
Voltage drop	$U_d$	≤ 2.5 V
Switching frequency	$f$	≤ 500 Hz
Response time		1 ms

**Ambient conditions**

Ambient temperature	-25 ... 70 °C (-13 ... 158 °F)
Storage temperature	-25 ... 70 °C (-13 ... 158 °F)

**Mechanical specifications**

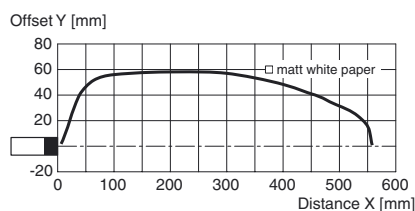
Degree of protection	IP67 according to EN 60529
Connection	2 m, 3 x 0.14 mm <sup>2</sup> , PUR cable
Material	
Housing	Polycarbonate
Optical face	PMMA
Mass	approx. 45 g

**Compliance with standards and directives**

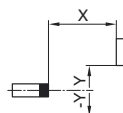
Standard conformity	
Product standard	EN 60947-5-2

**Approvals and certificates**

CE conformity	yes
UL approval	cULus Listed 57M3 (Only in association with UL Class 2 power supply; Type 1 enclosure)
CCC approval	CCC approval / marking not required for products rated ≤36 V

**Curves/Diagrams****Characteristic response curve**

Permissible distance (offset) between optical axis and object.

**Additional Information****Conventional use:**

The reflex light scanner contains the emitter and receiver in a single housing. The light from transmitter is beamed back from the recorded object is evaluated by the receiver. The detection range depends on the object colour. With dark or very small objects the detection range reduces.

**Mounting instructions:**

The sensor can be fastened over the through-holes directly or with a mounting bracket (not included in scope of supply). The base surface must be flat to avoid distorting the housing during mounting. It is advisable to secure the bolts and screws with washers so that the sensor does not become misaligned.

**Instructions for adjustment:**

Adjust the sensor to the background. If the yellow LED is on now, the detection range needs to be reduced with the detection range adjuster, until the yellow LED goes off.

**Object detection check:**

Position the object into the light beam. Position light spot on object. If the object is detected, the yellow LED is illuminated. If not, adjust the detection range with the potentiometer, until the yellow LED lights up.

The red LED flashes if reception deteriorates (e.g. soiled lenses or by maladjustment) and when falling short of the stability control.

**Illustration:**

We recommend that you clean the optical interfaces and check the plug-in connections and screw connections at regular intervals.