



Model Number

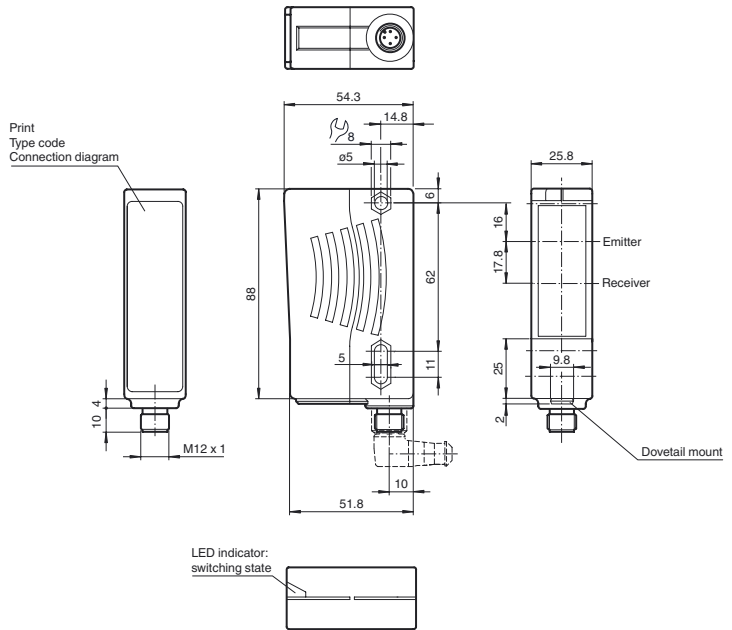
RL29-55/25/73c/136

Retroreflective sensor
with 4-pin, M12 x 1 plastic connector

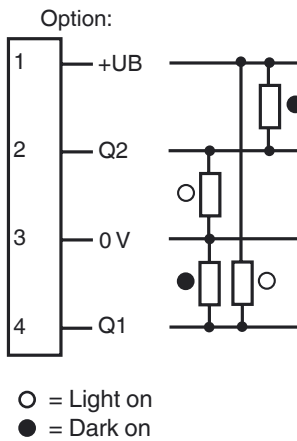
Features

- Highly visible LED
- Powerful push-pull output
- Optimal price/power ratio
- Protection class II

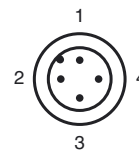
Dimensions



Electrical connection



Pinout



Release date: 2012-11-29 15:34 Date of issue: 2013-02-22 801763_eng.xml

Technical data**General specifications**

| | |
|----------------------------|--|
| Effective detection range | 0.1 ... 7 m |
| Threshold detection range | 10 m |
| Reference target | H85 reflector |
| Light source | LED, 660 nm |
| Light type | modulated visible red light |
| Approvals | CE, cULus Listed 57M3 (Only in association with UL Class 2 power supply; Type 1 enclosure) |
| Diameter of the light spot | approx. 150 mm at a distance of 7 m |
| Angle of divergence | Emitter: 1.2 °, Receiver: 2 ° |
| Ambient light limit | 80000 Lux |

Functional safety related parameters

| | |
|--------------------------------|----------|
| MTTF _d | 1982.2 a |
| Mission Time (T _M) | 20 a |
| Diagnostic Coverage (DC) | 0 % |

Indicators/operating means

| | |
|------------------|---|
| Function display | LED yellow, light with free light beam, flashes when falling short of the stability control |
|------------------|---|

Electrical specifications

| | | |
|------------------------|----------------|-------------------------|
| Operating voltage | U _B | 10 ... 30 V DC, class 2 |
| Ripple | | 10 % |
| No-load supply current | I ₀ | ≤ 30 mA |

Output

| | | |
|---------------------|---|--------|
| Switching type | light on | |
| Signal output | 2 push-pull (4 in 1) outputs, short-circuit protected, reverse polarity protected | |
| Switching voltage | max. 30 V DC | |
| Switching current | max. 100 mA | |
| Switching frequency | f | 500 Hz |
| Response time | | 1 ms |

Ambient conditions

| | |
|---------------------|--------------------------------|
| Ambient temperature | -25 ... 60 °C (-13 ... 140 °F) |
| Storage temperature | -40 ... 75 °C (-40 ... 167 °F) |

Mechanical specifications

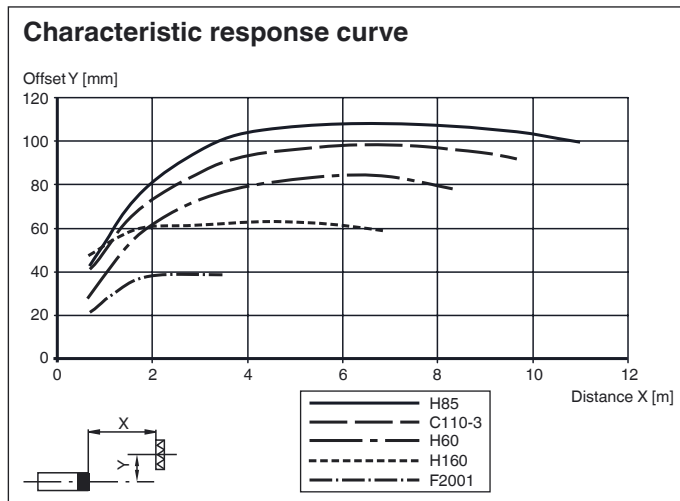
| | |
|-------------------|----------------------------------|
| Protection degree | IP65 |
| Connection | Plastic connector M12 x 1, 4-pin |
| Material | |
| Housing | Plastic ABS |
| Optical face | plastic |
| Mass | 70 g |

Compliance with standards and directives

| | |
|---------------------------|-------------------|
| Directive conformity | |
| EMC Directive 2004/108/EC | EN 60947-5-2:2007 |

Approvals and certificates

| | |
|--------------|--|
| UL approval | cULus Listed, Class 2 Power Source, Type 1 enclosure |
| CCC approval | CCC approval / marking not required for products rated ≤36 V |

Curves/Diagrams**Accessories****OMH-05**

Mounting aid for round steel ø 12 mm or sheet 1.5 mm ... 3 mm

OMH-07

Mounting aid for round steel ø 12 mm or sheet 1.5 mm ... 3 mm

OMH-21

Mounting bracket

OMH-22

Mounting bracket

OMH-MLV11-K

dove tail mounting clamp

OMH-RLK29-HW

Mounting bracket for rear wall mounting

OMH-RL28-C

Weld slag cover model

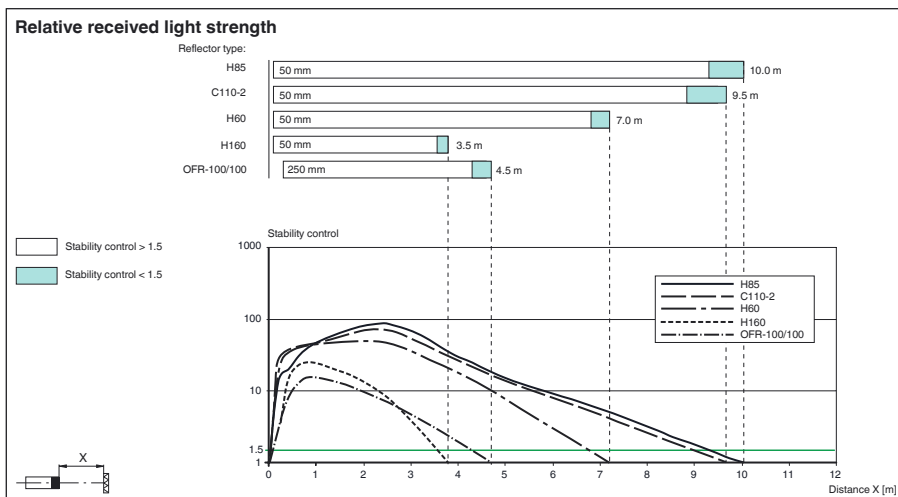
V1-G-2M-PUR

Cable socket, M12, 4-pin, PUR cable

V1-W-2M-PUR

Cable socket, M12, 4-pin, PUR cable

Suitable reflectors and cable sockets can be found in the Internet



Release date: 2012-11-29 15:34 Date of issue: 2013-02-22 801763_eng.xml