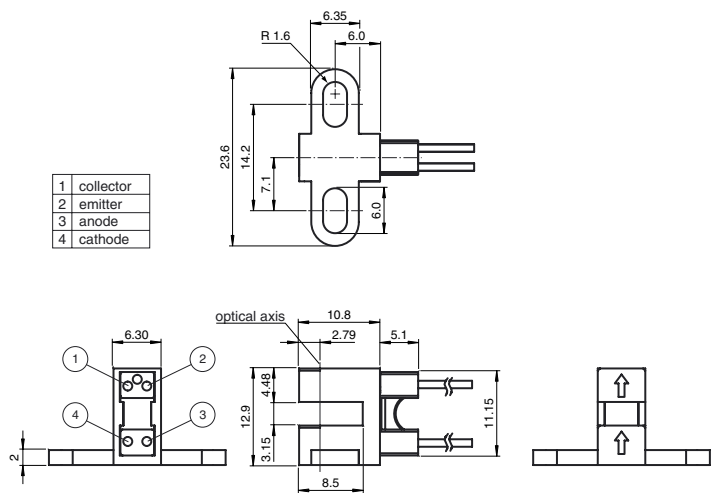




Dimensions



Model Number

GL3-T/153

Photoelectric slot sensor
with fixed cable

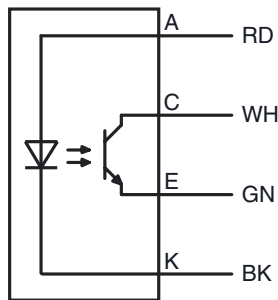
Features

- Miniature design
- Optimized for the detection of small parts
- High switching frequency

Product information

The GL2 & GL3 miniature slot sensor is the smallest slot sensor in its family optimized to the requirements in semiconductors industry for small part detection. A wide voltage range of 5 V DC ... 30 V DC and a extreme fast response time of 25 µs stands for the quality of this sensor. The GL2 & GL3 sensor can be directly connected to a comparator or Schmitt-trigger circuit. Due to a variety of different housings and an optimized housing concept offers the sensor a maximum of freedom in a crowded mounting environment.

Electrical connection



Release date: 2014-02-07 11:24 Date of issue: 2014-02-07 802746_eng.xml

Refer to "General Notes Relating to Pepperl+Fuchs Product Information".

Pepperl+Fuchs Group
www.pepperl-fuchs.com

USA: +1 330 486 0001
fa-info@us.pepperl-fuchs.com

Germany: +49 621 776 4411
fa-info@de.pepperl-fuchs.com

Singapore: +65 6779 9091
fa-info@sg.pepperl-fuchs.com

Technical data**General specifications**

Light source	IREDD , 940 nm
Light type	IREDD
Fork width	3.15 mm
Ambient light limit	1000 Lux

Electrical specifications

Operating voltage	U_B	5 ... 30 V DC
Ripple		10 %

Emitter

Light type		940 nm IR light
Forward voltage	V_F	< 1.6 V

Peak forward voltage	V_{FM}	30 V
----------------------	----------	------

Forward current	I_F	50 mA
-----------------	-------	-------

Peak forward current	I_{FM}	1 A
----------------------	----------	-----

Reverse voltage	V_R	5 V
-----------------	-------	-----

Reverse current	I_R	$\leq 10 \mu A$
-----------------	-------	-----------------

Power loss		75 mW
------------	--	-------

Receiver

Output type		NPN
-------------	--	-----

C-E breakdown voltage	V_{CEO}	30 V
-----------------------	-----------	------

E-C breakdown voltage	V_{ECO}	5 V
-----------------------	-----------	-----

Collector dark current	I_{CEO}	< 1 μA
------------------------	-----------	-------------

Collector DC current	I_C	20 mA
----------------------	-------	-------

Power loss	P_D	75 mW
------------	-------	-------

Output

Signal output		1 NPN , photo transistor
---------------	--	--------------------------

Switching voltage		max. 30 V DC
-------------------	--	--------------

Switching current		20 mA
-------------------	--	-------

Response time		25 μs
---------------	--	------------

Ambient conditions

Ambient temperature		-20 ... 85 °C (-4 ... 185 °F)
---------------------	--	-------------------------------

Storage temperature		-40 ... 85 °C (-40 ... 185 °F)
---------------------	--	--------------------------------

Mechanical specifications

Core cross-section		4 x 0.08 mm ²
--------------------	--	--------------------------

Protection degree		IP30
-------------------	--	------

Connection		610 mm, PVC cable , Individual colored wires
------------	--	---

Material

Housing		PC
---------	--	----

Mass		7 g
------	--	-----

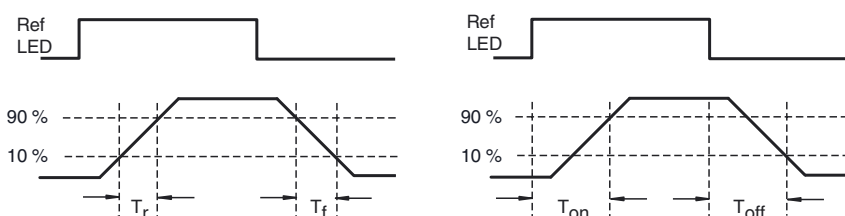
Approvals and certificates

CCC approval		CCC approval / marking not required for products rated ≤ 36 V
--------------	--	--

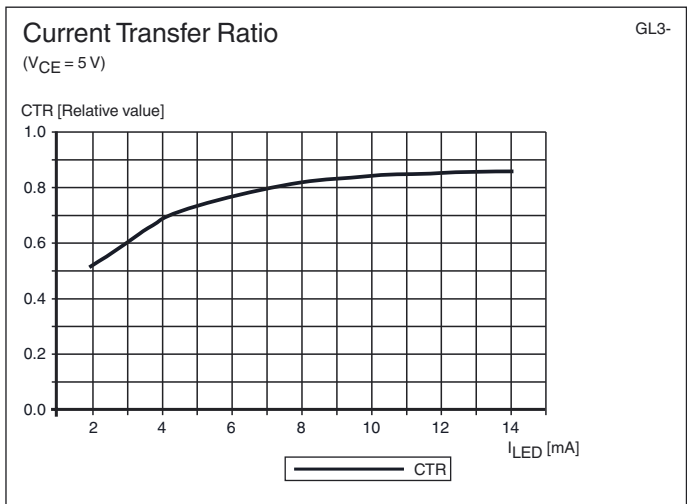
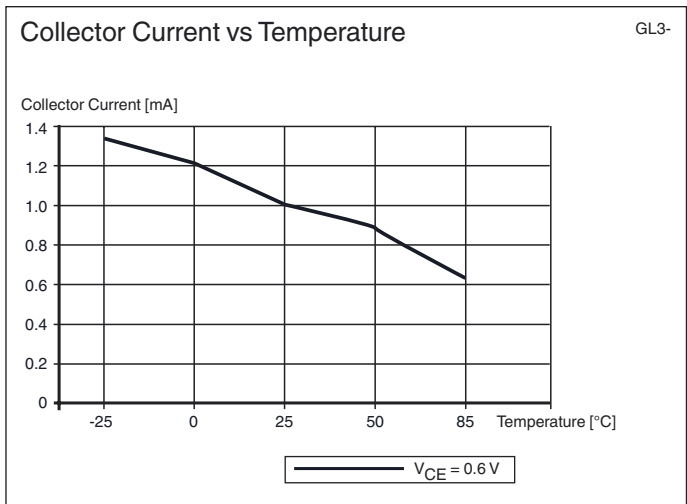
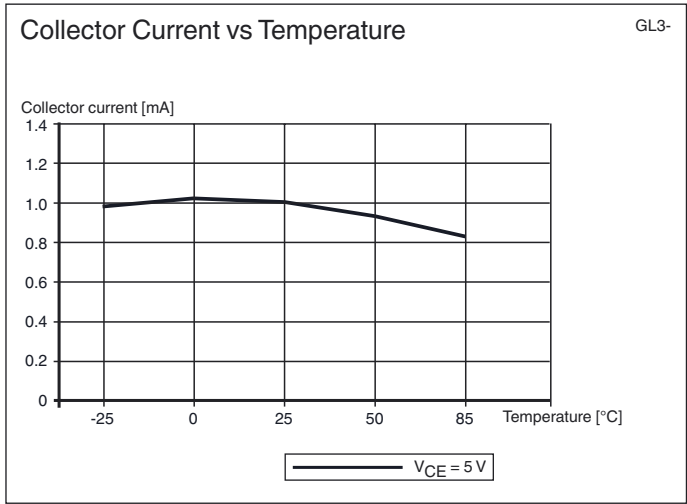
Curves/Diagrams**Characteristic response curve**

GL3-

The rise (T_r) the fall (T_f) and the response time (T_{on}/T_{off}) is tested with reference LED.

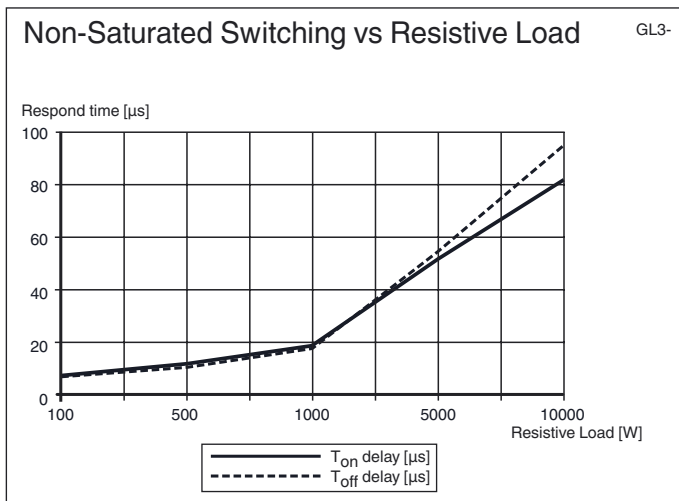
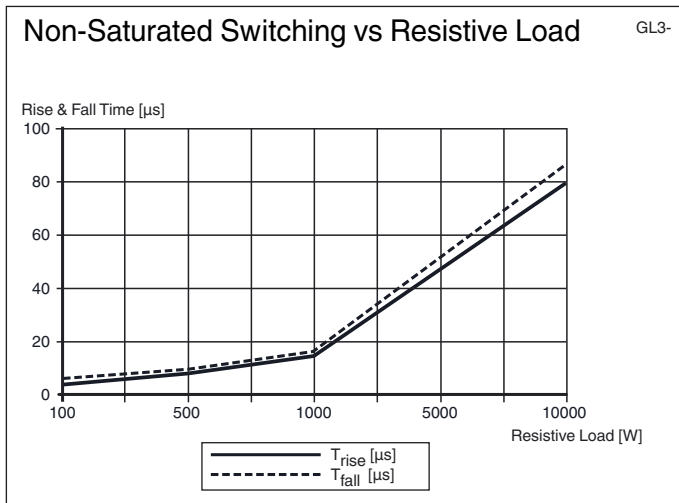
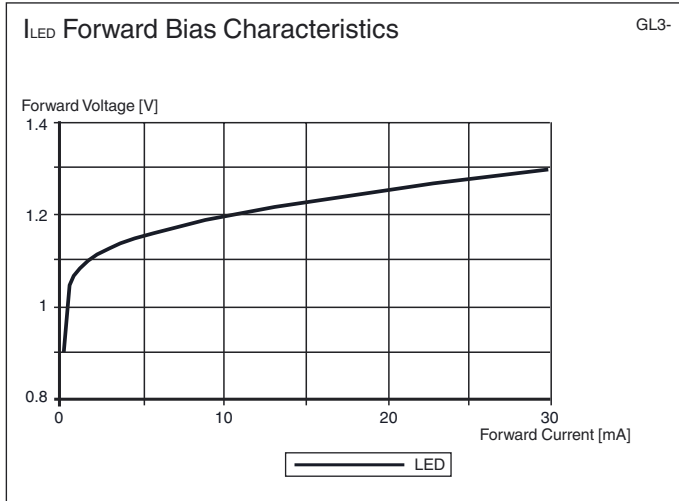


Curves/Diagrams

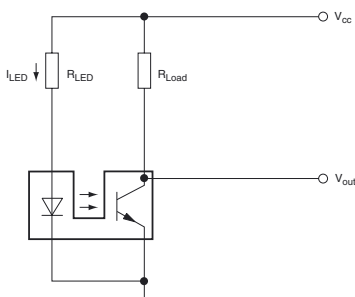


Release date: 2014-02-07 11:24 Date of issue: 2014-02-07 802746_eng.xml

Refer to "General Notes Relating to Pepperl+Fuchs Product Information".



Connection example

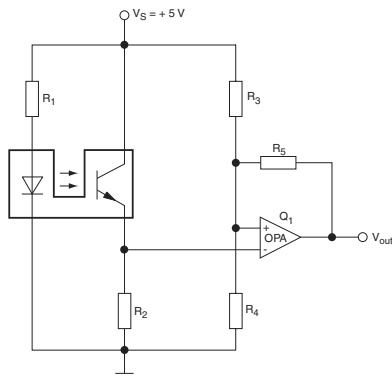


3 simple steps:

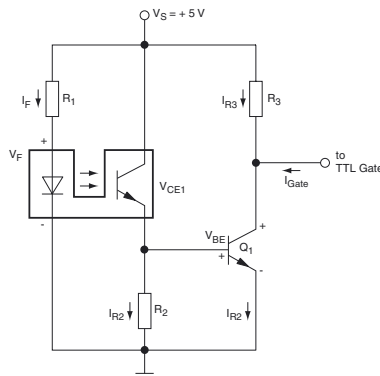
Release date: 2014-02-07 11:24 Date of issue: 2014-02-07 802746_eng.xml

- Choose power supply
- Choose LED current (set resistor R_{LED})
- Choose load current (set resistor R_{LOAD})

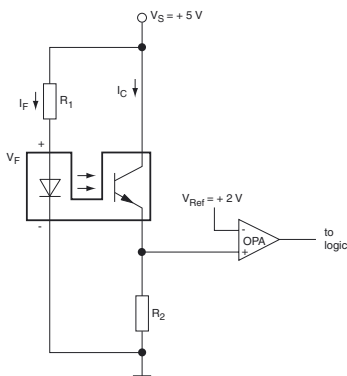
Possible connections



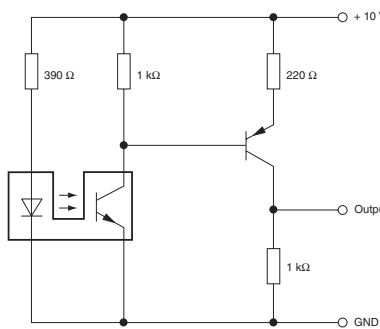
Circuit with voltage comparator



Circuit with additional transistor



Circuit with Op Amp



Circuit with PNP transistor output

Release date: 2014-02-07 11:24 Date of issue: 2014-02-07 802746_eng.xml

Refer to "General Notes Relating to Pepperl+Fuchs Product Information".

Pepperl+Fuchs Group
www.pepperl-fuchs.com

USA: +1 330 486 0001
fa-info@us.pepperl-fuchs.com

Germany: +49 621 776 4411
fa-info@de.pepperl-fuchs.com

Singapore: +65 6779 9091
fa-info@sg.pepperl-fuchs.com