



Model Number

GL5-U/43a/155
 Photoelectric slot sensor
 With flat connector, 4-pin

Features

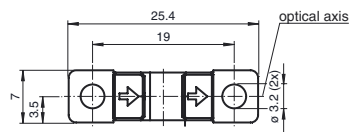
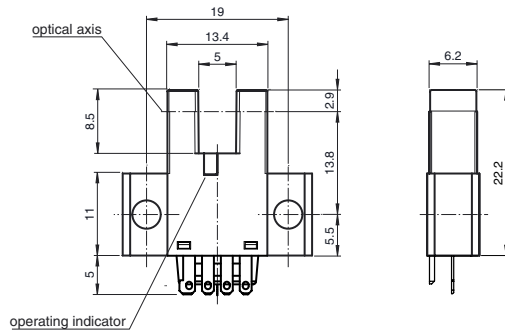
- Miniature design
- Optimized for the detection of small parts
- High switching frequency
- Simple and fast mounting
- Clearly visible LED functional display

Product information

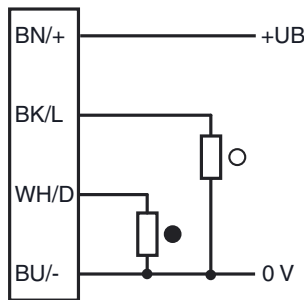
The GL5 miniature slot sensor compares a high optical performance in a small housing and is optimized to the requirements in semi-conductors industry for small part detection. A wide voltage range of 5 - 24 V DC and the fastest switching frequency of 5 kHz in its class stands for the quality of this sensor. The integrated aperture allows the small part detection with a minimum object size of 0.8 x 1.8 mm. The sensor offers antivalent npn or pnp outputs. Due to a variety of different housings and an optimized housing concept offers the sensor a maximum of freedom in a crowded mounting environment.

Release date: 2013-01-29 09:49 Date of issue: 2013-01-29 803115_eng.xml

Dimensions



Electrical connection



- = Light on
- = Dark on

Technical data**General specifications**

Light source	IREL
Light type	Infrared, continuous light, 940 nm
Target size	0.8 x 1.8 mm
Fork width	5 mm
Ambient light limit	1000 Lux

Functional safety related parameters

MTTF _d	3760 a
Mission Time (T _M)	20 a
Diagnostic Coverage (DC)	0 %

Indicators/operating means

Function display	red LED lights up when receiving the light beam
------------------	---

Electrical specifications

Operating voltage	U _B	5 ... 24 V DC, class 2
No-load supply current	I ₀	max. 20 mA
Time delay before availability	t _v	< 2 ms

Output

Switching type	light/dark on	
Signal output	2 PNP complementary, overvoltage protected	
Switching voltage	max. 30 V DC	
Switching current	max. 50 mA, resistive load	
Voltage drop	U _d	max. 0.2 V at 10 mA max. 0.6 V at 50 mA
Switching frequency	f	max. 5 kHz
Response time		40 μs Light beam is not interrupted 80 μs Light beam is interrupted
Repeat accuracy	R	0.03 mm

Ambient conditions

Ambient temperature	-25 ... 55 °C (-13 ... 131 °F)
Storage temperature	-30 ... 80 °C (-22 ... 176 °F)
Pollution Degree	2

Mechanical specifications

Protection degree	IP50
Connection	4-pin flat connector
Material	
Housing	PBT
Mass	3 g

Compliance with standards and directives

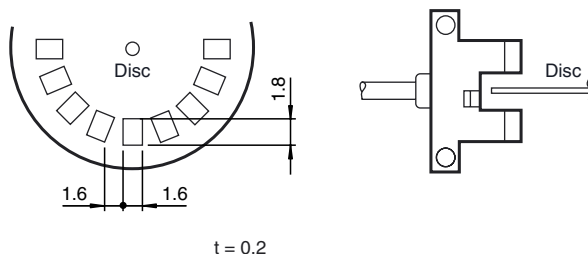
Directive conformity	
EMC Directive 2004/108/EC	EN 60947-5-2:2007
Standard conformity	
Product standard	EN 60947-5-2:2007 IEC 60947-5-2:2007

Approvals and certificates

UL approval	cULus Recognized, Class 2 Power Source
CCC approval	Products with a maximum operating voltage of ≤36 V do not bear a CCC marking because they do not require approval.

Response frequency

The response frequency is the value when the disc, given in the figure below, is rotated.

**Applications**

The GL5 is suited for applications in the semiconductor and electronic industrial environment.

Typical applications include:

1. Detection of lead frames
2. Detection of cam positions
3. Detection of limit positions of moving objects
4. Position detection of wafer cases

Accessories**CBL SET GL5**

Connection cable for GL5 series

Other suitable accessories can be found at www.pepperl-fuchs.com