



Technical data

General specifications

Detection range		SU18: 35 mm SU18/35: 140 mm SU19: 35 mm
Fiber optic length	l	2000 mm , adjustable
Fiber optic diameter	d	2.2 mm
Adapter form		00
End piece		Array
Bending radius		min. 25 mm
Fiber configuration	Fv	see dimensions
Angle of divergence		67 °

Ambient conditions

Ambient temperature		-55 ... 70 °C (-67 ... 158 °F)
---------------------	--	--------------------------------

Mechanical specifications

Material		
Optical face		plastic
Sheathing		PVC
Core		plastic
End piece		plastic

General information

Scope of delivery		Fiber optic cables packaged in pairs
-------------------	--	--------------------------------------

Model Number

KLE-A32-2,8-2,0-K142

Plastic fiber optic - thru-beam

Features

- Wide sensing range

Series

Fiber optic amplifiers

Device series	SU18 ; SU18/35 ; SU19 ; ML17-LL
---------------	---------------------------------

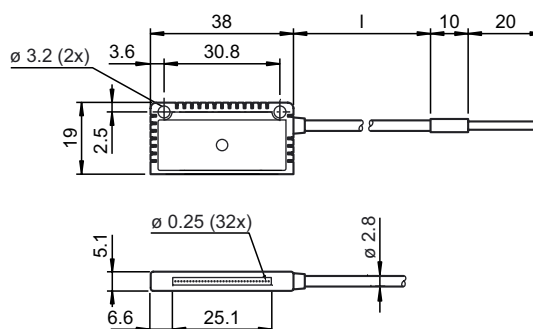
Description

Attention:

Fiber optics must not be twisted or kinked. Excessive tensile loads will lead to destruction. Contact with petrol or organic solvents must be prevented.



Dimensions



Release date: 2015-01-20 12:37 Date of issue: 2015-01-20 806423_eng.xml

Refer to "General Notes Relating to Pepperl+Fuchs Product Information".

Pepperl+Fuchs Group
www.pepperl-fuchs.com

USA: +1 330 486 0001
fa-info@us.pepperl-fuchs.com

Germany: +49 621 776 4411
fa-info@de.pepperl-fuchs.com

Singapore: +65 6779 9091
fa-info@sg.pepperl-fuchs.com