



### Model Number

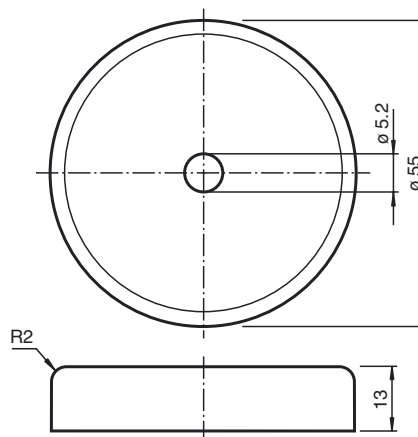
**IQC21-55**

Data carrier

### Features

- Operating frequency 13.56 MHz
- Conforms to ISO 15693
- 64 bit Fixcode
- 896 bits memory available
- Degree of protection IP68
- Mounting holes for simple installation
- Mounted on metal with integrated spacer

### Dimensions



### Technical data

#### General specifications

Operating frequency	13.56 MHz
Transfer rate	26 kBit/s

#### Memory

Chip Type	I-CODE SLIX (NXP)
Type/Size	EEPROM 896 Bit ROM 64 Bit

Read cycles	unlimited
Write cycles	> 100000
Data retention period	10 years at 55 °C (131 °F)

#### Ambient conditions

Ambient temperature	-20 ... 70 °C (-4 ... 158 °F)
Storage temperature	-20 ... 85 °C (-4 ... 185 °F)

#### Mechanical specifications

Degree of protection	IP68
Material	
Housing	PPA (polyphthalamide)
Encapsulation compound	Epoxy
Mass	30 g

#### Compliance with standards and directives

Directive conformity	
R&TTE Directive 1995/5/EC	EN 300330-2:2010 V1.5.1
Standard conformity	
Degree of protection	EN 60529
RFID	ISO/IEC 15693-1:2010 , ISO/IEC 15693-2:2006 , ISO/IEC 15693-3:2009 , ISO/IEC 18000-3