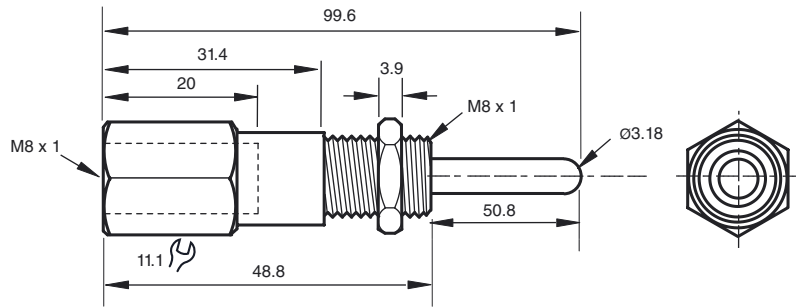




Dimensions



Technical data

Mechanical specifications

Material	Stainless steel
Note	Probe Travel For activation: 0.13 - 0.25 mm Maximum: 1.93 mm

Model Number

PTA-08-50

Probe tip adapter

Features

- For space-critical applications
- For 8 mm diameter sensors

Release date: 2011-02-18 18:09 Date of issue: 2011-02-18 904110_ENG.xml