

Model number

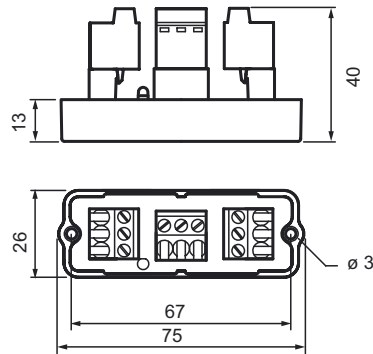
VAZ-RK-P-TEE

AS-Interface one port segment protector

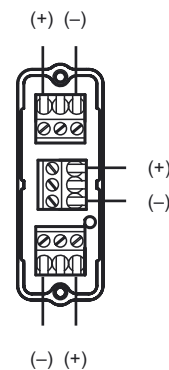
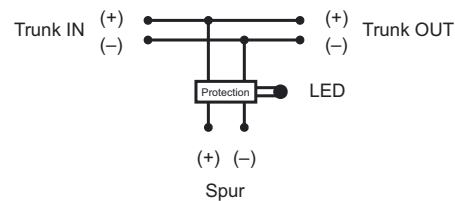
Features

- Protected single drop Tee for AS-Interface
- LED status indication

Dimensions



Electrical connection



Technical data

General specifications

Description	AS-Interface one port segment protector
-------------	---

Indicators/operating means

LED Overload	Led red: Output overloaded or shorted
--------------	---------------------------------------

Electrical specifications

Rated operating voltage	U_e	26.5 ... 31.6 V from AS-Interface
Rated operating current	I_e	8 A
Maximum safe voltage	U_m	35 V

Interface

Protocol	AS-Interface
----------	--------------

Output

Number/Type	1/protected drop connection for 1 AS-I node
Current limit	28 mA (output off) 240 mA (output on)
Voltage drop	U_d < 1 V
Short-circuit current	≤ 28 mA

Ambient conditions

Ambient temperature	-40 ... 85 °C (-40 ... 185 °F)
Storage temperature	-40 ... 85 °C (-40 ... 185 °F)

Mechanical specifications

Degree of protection	IP20
Connection	terminals: trunk in, trunk out and 1 drop



Notes

Only one AS-Interface module may be operated in a protected AS-Interface segment. For correct operation, the current consumption of the module including all connected and activated inputs must not exceed 28 mA.

Release date: 2014-09-09 14:08 Date of issue: 2014-09-09 904191_eng.xml