



Model Number

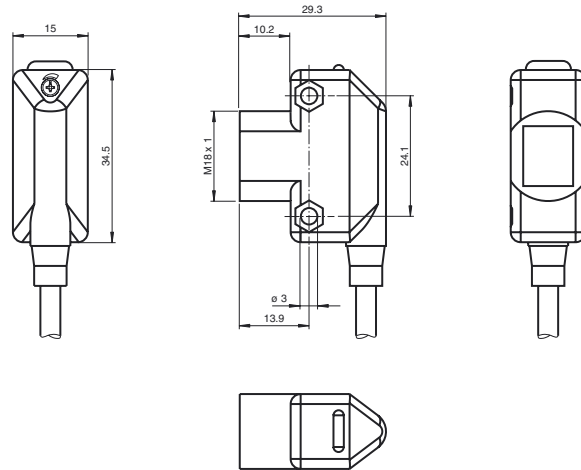
ML17-8-450/115/136

Diffuse mode sensor
with fixed cable

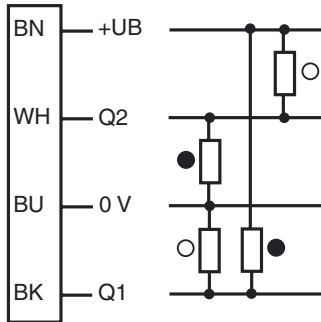
Features

- Compact, versatile housing
- 360° high visibility LEDs
- Adjustable sensing range
- Front mounting with M18-threads or side mounting holes

Dimensions

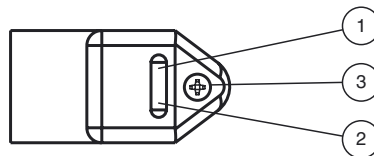


Electrical connection



○ = Light on
● = Dark on

Indicators/operating means



| | | |
|---|------------------------|--------|
| 1 | Signal display | yellow |
| 2 | Operating display | green |
| 3 | Sensitivity adjustment | |

Release date: 2013-01-03 20:52 Date of issue: 2013-01-03 905783_eng.xml

Technical data**General specifications**

| | |
|---------------------|-----------------------------------|
| Detection range | 10 ... 450 mm |
| Adjustment range | 60 ... 450 mm |
| Reference target | standard white, 100 mm x 100 mm |
| Light source | IRED |
| Light type | modulated infrared light , 950 nm |
| Ambient light limit | ≤ 10000 Lux |

Indicators/operating means

| | |
|-------------------|---|
| Operating display | LED green |
| Function display | LED yellow, lights up with receiver lit |
| Controls | Detection range adjuster |

Electrical specifications

| | | |
|--------------------------------|-------|--------------------------|
| Operating voltage | U_B | 10 ... 30 V DC , class 2 |
| Ripple | | max. 10 % |
| No-load supply current | I_0 | < 25 mA |
| Time delay before availability | t_v | ≤ 200 ms |

Output

| | | |
|---------------------|--|------------|
| Switching type | light/dark on | |
| Signal output | 2 push-pull (4 in 1) outputs, short-circuit protected, reverse polarity protected, overvoltage protected | |
| Switching voltage | max. 30 V DC | |
| Switching current | max. 100 mA per output | |
| Voltage drop | U_d | ≤ 2.5 V DC |
| Switching frequency | f | 500 Hz |
| Response time | | ≤ 1 ms |

Ambient conditions

| | |
|---------------------|-------------------------------|
| Ambient temperature | -20 ... 55 °C (-4 ... 131 °F) |
| Storage temperature | -20 ... 75 °C (-4 ... 167 °F) |

Mechanical specifications

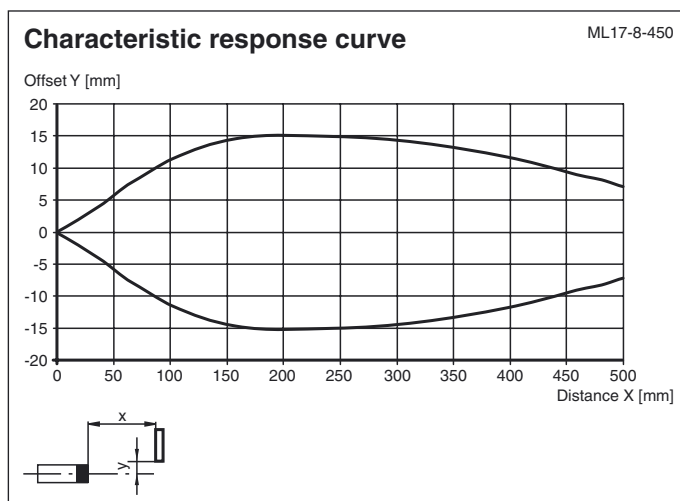
| | |
|-------------------|---------------|
| Protection degree | IP67 |
| Connection | 2 m PVC cable |
| Material | |
| Housing | ABS |
| Optical face | Acrylic |
| Mass | approx. 40 g |

Compliance with standards and directives

| | |
|---------------------|---|
| Standard conformity | |
| Product standard | EN 60947-5-2:2007 IEC 60947-5-2:2007 |

Approvals and certificates

| | |
|--------------|--|
| UL approval | cULus |
| CCC approval | Products with a maximum operating voltage of ≤36 V do not bear a CCC marking because they do not require approval. |

Curves/Diagrams**Accessories**

OMH-ML17-EZ
Mounting bracket

OMH-ML17
Mounting bracket

OMH-ML17-1
Mounting bracket

Additional accessories can be found in the Internet.

