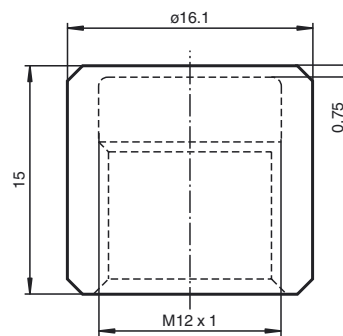




Dimensions



Model Number

TC-12-U

PTFE protection cap for 12 mm diameter

Features

- Protection against mechanical damage and welding splash
- Increasing of degree of protection in front of the sensor possible

Technical data

Mechanical specifications

Material	PTFE
----------	------