



**Model Number**

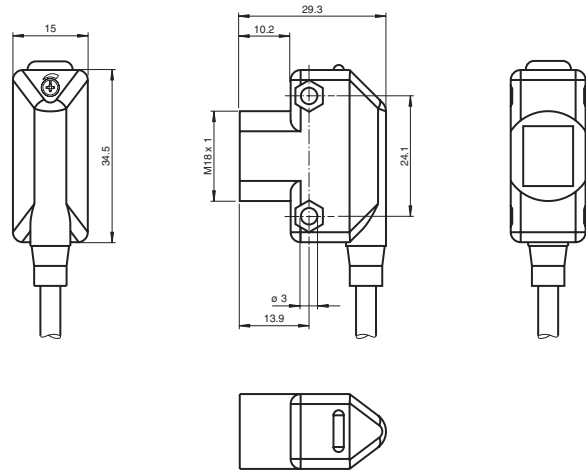
**ML17-6/115/127**

Retroreflective sensor  
with 2 m fixed cable

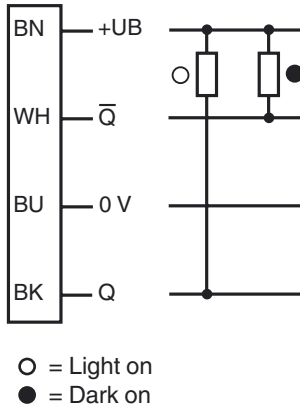
**Features**

- Compact series in universal housing for standard applications
- Miniature design
- Front mounting with M18-threads or side mounting holes
- 360° high visibility LEDs
- Time-saving mounting with quick clamp system
- Long-range nonpolarized model

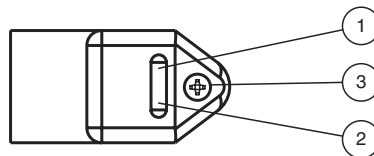
**Dimensions**



**Electrical connection**



**Indicators/operating means**



1	Signal display	yellow
2	Operating display	green
3	Sensitivity adjustment	

Release date: 2014-08-04 14:09 Date of issue: 2014-08-04 908633\_eng.xml

Refer to "General Notes Relating to Pepperl+Fuchs Product Information".

**Technical data****General specifications**

Effective detection range	0 ... 6.5 m
Reflector distance	50 ... 6500 mm
Reference target	FE-RR1 reflector
Light source	LED
Light type	modulated visible red light , 626 nm
Polarization filter	no
Ambient light limit	≤ 10000 Lux

**Indicators/operating means**

Operation indicator	LED green
Function indicator	LED yellow, lights up with receiver lit
Control elements	sensitivity adjustment

**Electrical specifications**

Operating voltage	$U_B$	10 ... 30 V DC , class 2
Ripple		max. 10 %
No-load supply current	$I_0$	< 25 mA
Operating current		100 mA max per output
Time delay before availability	$t_v$	≤ 200 ms

**Output**

Switching type	light/dark on	
Signal output	2 NPN short-circuit protected, protected against reverse polarity, open collector	
Switching voltage	max. 30 V DC	
Switching current	max. 100 mA	
Voltage drop	$U_d$	≤ 2 V DC
Switching frequency	$f$	500 Hz
Response time		≤ 1 ms

**Ambient conditions**

Ambient temperature	-20 ... 55 °C (-4 ... 131 °F)
Storage temperature	-40 ... 75 °C (-40 ... 167 °F)

**Mechanical specifications**

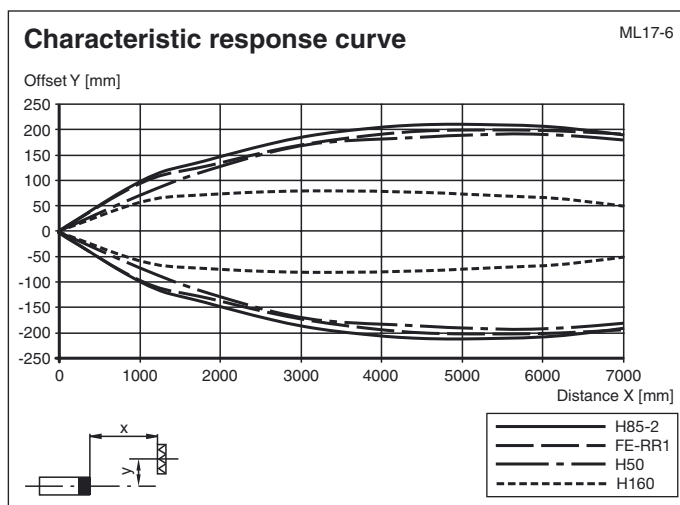
Degree of protection	IP67
Connection	2 m fixed cable
Material	
Housing	ABS
Optical face	Acrylic
Mass	approx. 40 g

**Compliance with standards and directives**

Standard conformity	
Product standard	EN 60947-5-2:2007 IEC 60947-5-2:2007

**Approvals and certificates**

UL approval	cULus
CCC approval	CCC approval / marking not required for products rated ≤36 V

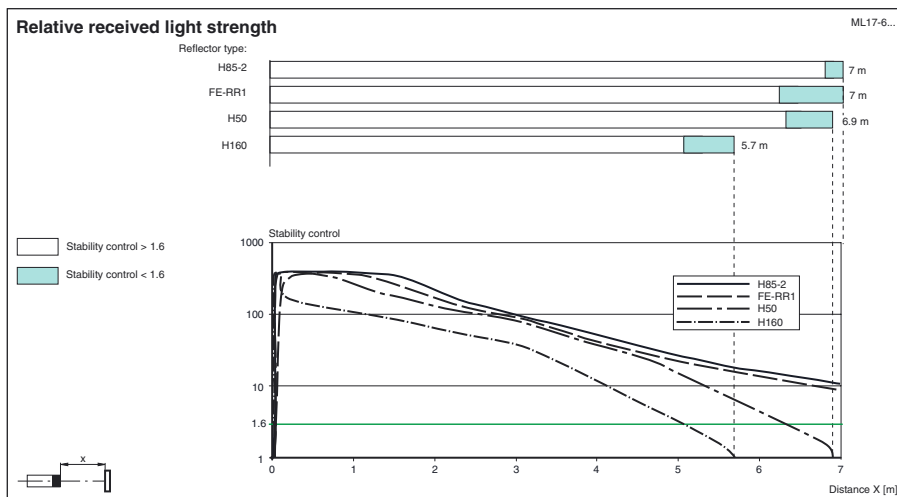
**Curves/Diagrams****Accessories**

**OMH-ML17-EZ**  
Mounting bracket

**OMH-ML17**  
Mounting bracket

**OMH-ML17-1**  
Mounting bracket

Other suitable accessories can be found at  
[www.pepperl-fuchs.com](http://www.pepperl-fuchs.com)



Release date: 2014-08-04 14:09 Date of issue: 2014-08-04 908633\_eng.xml

Refer to "General Notes Relating to Pepperl+Fuchs Product Information".

Pepperl+Fuchs Group  
www.pepperl-fuchs.com

USA: +1 330 486 0001  
fa-info@us.pepperl-fuchs.com

Germany: +49 621 776 4411  
fa-info@de.pepperl-fuchs.com

Singapore: +65 6779 9091  
fa-info@sg.pepperl-fuchs.com