



### Model Number

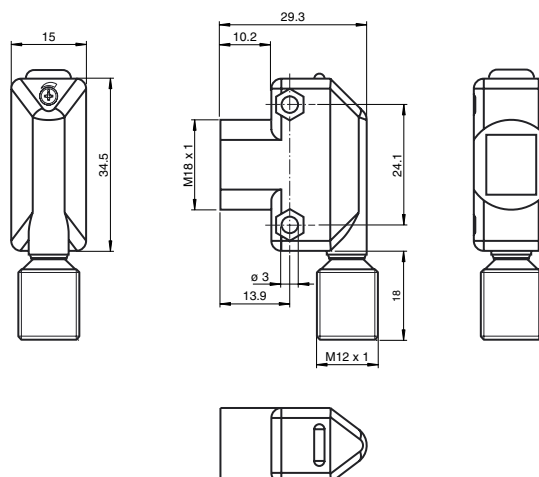
**ML17-6/73/136**

Retroreflective sensor  
with 4-pin, M12 x 1 connector

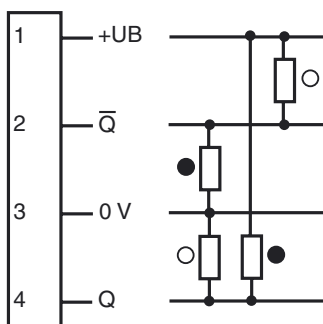
### Features

- Compact series in universal housing for standard applications
- Miniature design
- Front mounting with M18-threads or side mounting holes
- 360° high visibility LEDs
- Time-saving mounting with quick clamp system
- Long-range nonpolarized model
- 4-in-1 output (push-pull)

### Dimensions

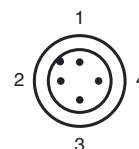


### Electrical connection

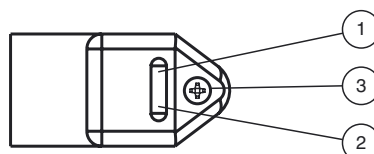


○ = Light on  
● = Dark on

### Pinout



### Indicators/operating means



1	Signal display	yellow
2	Operating display	green
3	Sensitivity adjustment	



**Technical data****General specifications**

Effective detection range	0 ... 6.5 m
Reflector distance	50 ... 6500 mm
Reference target	FE-RR1 reflector
Light source	LED
Light type	modulated visible red light , 626 nm
Polarization filter	no
Ambient light limit	≤ 10000 Lux

**Indicators/operating means**

Operation indicator	LED green
Function indicator	LED yellow, lights up with receiver lit
Control elements	sensitivity adjustment

**Electrical specifications**

Operating voltage	$U_B$	10 ... 30 V DC , class 2
Ripple		max. 10 %
No-load supply current	$I_0$	< 25 mA
Operating current		100 mA max per output
Time delay before availability	$t_v$	≤ 200 ms

**Output**

Switching type	light/dark on	
Signal output	2 push-pull (4 in 1) outputs, short-circuit protected, reverse polarity protected, overvoltage protected	
Switching voltage	max. 30 V DC	
Switching current	max. 100 mA	
Voltage drop	U <sub>d</sub>	≤ 2 V DC
Switching frequency	f	500 Hz
Response time	≤ 1 ms	

**Ambient conditions**

Ambient temperature	-20 ... 55 °C (-4 ... 131 °F)
Storage temperature	-20 ... 75 °C (-4 ... 167 °F)

**Mechanical specifications**

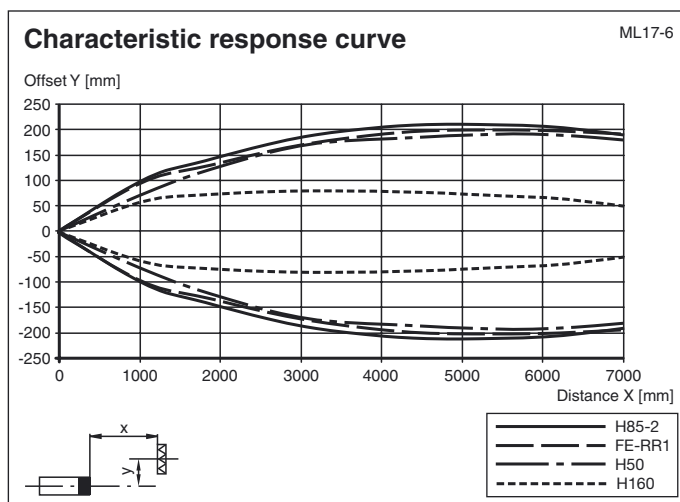
Degree of protection	IP67
Connection	4-pin, M12 x 1 connector
Material	
Housing	ABS
Optical face	Acrylic
Mass	approx. 8.5 g

**Compliance with standards and directives**

Standard conformity	
Product standard	EN 60947-5-2:2007 IEC 60947-5-2:2007

**Approvals and certificates**

UL approval	cULus
CCC approval	CCC approval / marking not required for products rated ≤36 V

**Curves/Diagrams****Accessories**

**OMH-ML17-EZ**  
Mounting bracket

**OMH-ML17**  
Mounting bracket

**OMH-ML17-1**  
Mounting bracket

**V1-G-2M-PUR**  
Female cordset, M12, 4-pin, PUR cable

**V1-W-2M-PUR**  
Female cordset, M12, 4-pin, PUR cable

Other suitable accessories can be found at  
[www.pepperl-fuchs.com](http://www.pepperl-fuchs.com)



