



**Model Number**

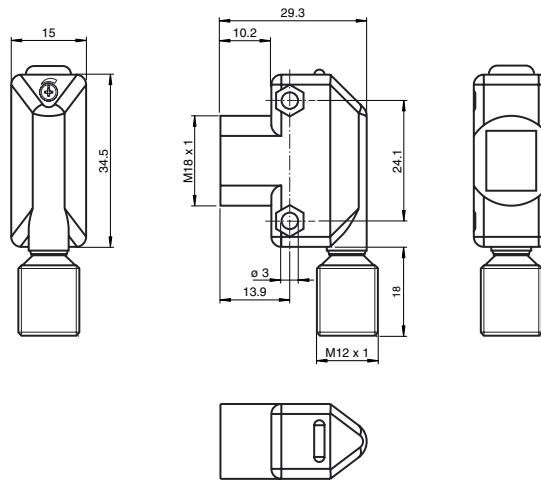
**ML17-8-450/73/136**

Diffuse mode sensor  
with 4-pin, M12 x 1 connector

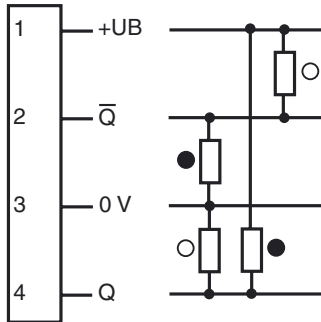
**Features**

- Compact, versatile housing
- 360° high visibility LEDs
- Adjustable sensing range
- Front mounting with M18-threads or side mounting holes

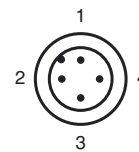
**Dimensions**



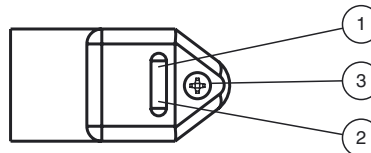
**Electrical connection**



**Pinout**



**Indicators/operating means**



1	Signal display	yellow
2	Operating display	green
3	Sensitivity adjustment	

Release date: 2014-03-21 09:47 Date of issue: 2014-03-24 909114\_eng.xml

**Technical data****General specifications**

Detection range	10 ... 450 mm
Adjustment range	60 ... 450 mm
Reference target	standard white, 100 mm x 100 mm
Light source	IRED
Light type	modulated infrared light , 950 nm
Ambient light limit	≤ 10000 Lux

**Indicators/operating means**

Operation indicator	LED green
Function indicator	LED yellow, lights up with receiver lit
Control elements	Detection range adjuster

**Electrical specifications**

Operating voltage	$U_B$	10 ... 30 V DC , class 2
Ripple		max. 10 %
No-load supply current	$I_0$	< 25 mA
Time delay before availability	$t_v$	≤ 200 ms

**Output**

Switching type	light/dark on	
Signal output	2 push-pull (4 in 1) outputs, short-circuit protected, reverse polarity protected, overvoltage protected	
Switching voltage	max. 30 V DC	
Switching current	max. 100 mA per output	
Voltage drop	$U_d$	≤ 2.5 V DC
Switching frequency	$f$	500 Hz
Response time		≤ 1 ms

**Ambient conditions**

Ambient temperature	-20 ... 55 °C (-4 ... 131 °F)
Storage temperature	-20 ... 75 °C (-4 ... 167 °F)

**Mechanical specifications**

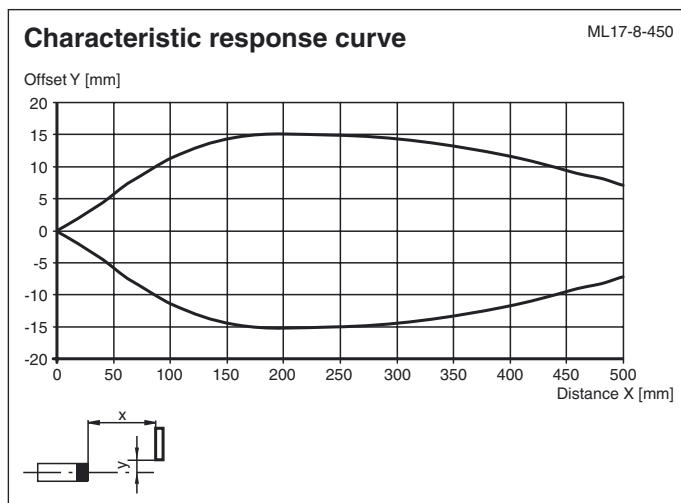
Degree of protection	IP67
Connection	4-pin , M12 x 1 connector
Material	
Housing	ABS
Optical face	Acrylic
Mass	approx. 9 g

**Compliance with standards and directives**

Standard conformity	
Product standard	EN 60947-5-2:2007 IEC 60947-5-2:2007

**Approvals and certificates**

UL approval	cULus
CCC approval	CCC approval / marking not required for products rated ≤36 V

**Curves/Diagrams****Accessories**

**OMH-ML17-EZ**  
Mounting bracket

**OMH-ML17**  
Mounting bracket

**OMH-ML17-1**  
Mounting bracket

**V1-G-2M-PUR**  
Female cordset, M12, 4-pin, PUR cable

**V1-W-2M-PUR**  
Female cordset, M12, 4-pin, PUR cable

Additional accessories can be found in the Internet.

