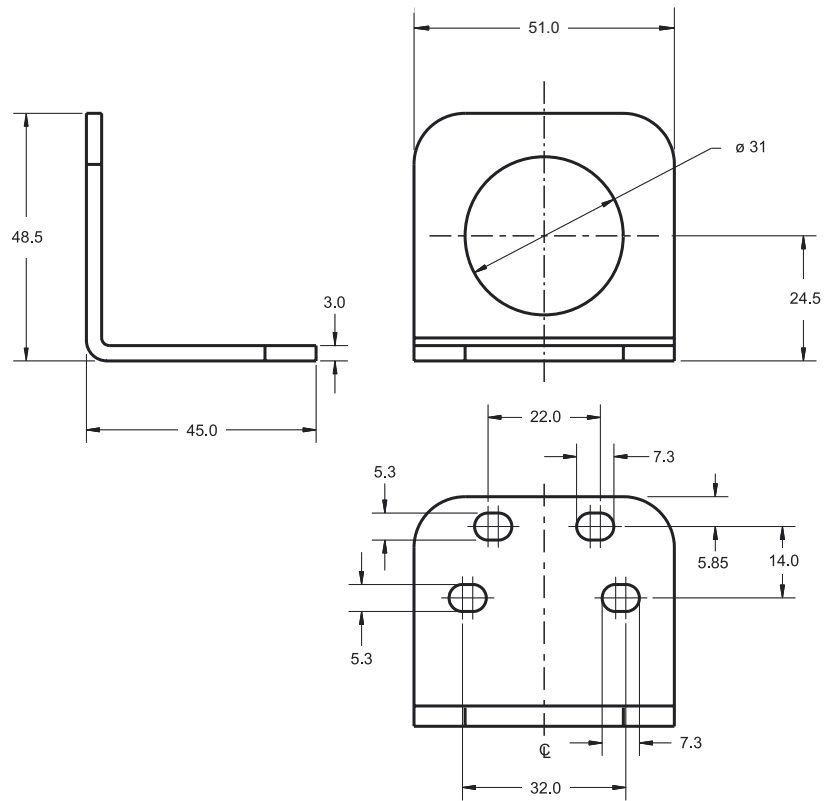




Dimensions



Model Number

AB-30-L3M-C

Mounting aid

Features

- Cylindrical/Rhino conversion bracket

Technical data

Mechanical specifications

Material: Stainless steel, PTFE coated

Note

Right angle mounting bracket converts 30mm diameter, 100% stainless steel sensing face sensors to the "Rhino" surface mount footprint.



Release date: 2013-10-14 17:50 Date of issue: 2013-10-14 911421_eng.xml

Refer to "General Notes Relating to Pepperl+Fuchs Product Information".

Pepperl+Fuchs Group
www.pepperl-fuchs.com

USA: +1 330 486 0001
fa-info@us.pepperl-fuchs.com

Germany: +49 621 776 4411
fa-info@de.pepperl-fuchs.com

Singapore: +65 6779 9091
fa-info@sg.pepperl-fuchs.com