



Model Number

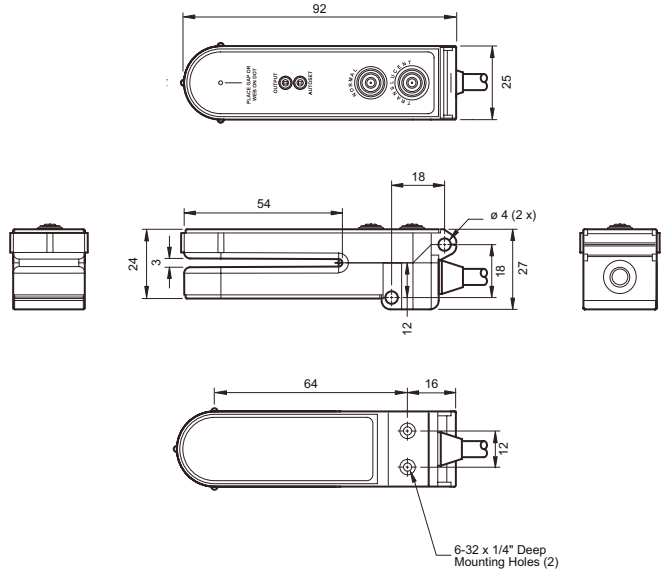
GLD3-RT/115/147

Photoelectric slot sensor
with 2 m fixed cable

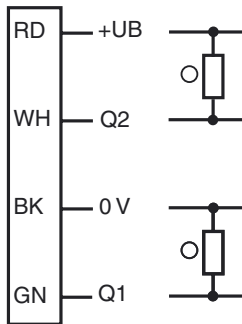
Features

- Push-button programmable
- Adjustable sensitivity
- Detection of paper and foil labels, including translucent varieties

Dimensions



Electrical connection



○ = Light on
● = Dark on

Release date: 2012-12-07 09:59 Date of issue: 2012-12-07 911540_eng.xml

Subject to modifications without notice

Pepperl+Fuchs Group
www.pepperl-fuchs.com

USA: +1 330 486 0001
fa-info@us.pepperl-fuchs.com

Germany: +49 621 776-4411
fa-info@pepperl-fuchs.com

Copyright Pepperl+Fuchs
Singapore: +65 6779 9091
fa-info@sg.pepperl-fuchs.com

Technical data**General specifications**

| | |
|--------------|-----------------------------|
| Light source | LED |
| Light type | modulated visible red light |
| Approvals | CE |
| USA | cULus |
| Canada | cULus |
| Fork width | 3 mm |

Indicators/operating means

| | |
|------------------|--------|
| Function display | 2 LEDs |
|------------------|--------|

Electrical specifications

| | | |
|------------------------|-------|----------------|
| Operating voltage | U_B | 10 ... 30 V DC |
| Ripple | | 10 % |
| No-load supply current | I_0 | ≤ 45 mA |

Output

| | | |
|---------------------|---|----------|
| Switching type | light/dark on | |
| Signal output | 1 NPN and 1 PNP Short circuit and overload protected Reverse polarity protected | |
| Switching current | max. 150 mA | |
| Voltage drop | U_d | ≤ 1.5 V |
| Switching frequency | f | 5 kHz |
| Response time | | ≤ 100 μs |

Ambient conditions

| | |
|---------------------|--------------------------------|
| Ambient temperature | -40 ... 70 °C (-40 ... 158 °F) |
| Storage temperature | -40 ... 70 °C (-40 ... 158 °F) |

Mechanical specifications

| | |
|-------------------|-------------------|
| Protection degree | IP66 |
| Connection | 2 m fixed cable |
| Material | |
| Housing | Thermoplastic PPS |
| Optical face | zylex |
| Cable | PVC |
| Mass | 82.21 g |

Compliance with standards and directives

| | |
|---------------------|---|
| Standard conformity | |
| Product standard | EN 60947-5-2:2007 IEC 60947-5-2:2007 |

Approvals and certificates

| | |
|--------------|--|
| UL approval | cULus |
| CCC approval | Products with a maximum operating voltage of ≤36 V do not bear a CCC marking because they do not require approval. |

GLD3 series programming**Programming standard labels:**

1. Use the external alignment guides on the sensor housing to position the alignment dot over the label gap
2. Push the teach button labeled "Normal" for 1 second
3. The green Autoset LED will blink several times very fast during the teach process
If the teach is successful, the green Autoset LED will be ON.

If the teach is not successful, both the green Autoset LED and the red Output LED will blink 2 times very slow, then the green Autoset LED will be ON.

Programming translucent labels:

1. Use the external alignment guides on the sensor housing to position the alignment dot over the label gap
2. Push the teach button labeled "Translucent" for 1 second
3. The green Autoset LED will blink several times very fast during the teach process
If the teach is successful, the green Autoset LED will be ON.

If the teach is not successful, both the green Autoset LED and the red Output LED will blink 2 times very slow, then the green Autoset LED will be ON.

Light On/Dark On:

The output of the sensor can be inverted by pressing both the Normal button and Translucent simultaneously. The red Output LED and the sensors output will change states.