



Model Number

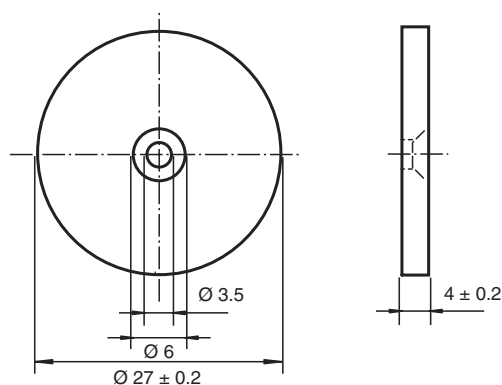
IQC24-27-T12

Data carrier

Features

- Operating frequency 13.56 MHz
- Conforms to ISO 15693
- 64 bit Fixcode
- 992 byte memory freely available
- Readable and writable from both sides
- Protection degree IP67
- High temperature rated to 150 °C

Dimensions



Technical data

General specifications

Operating frequency	13.56 MHz
Transfer rate	26 kBit/s

Memory

Chip Type	my-d SRF 55V10P (Infineon)
Type/Size	EEPROM 992 Byte ROM 64 Bit
Read cycles	unlimited
Write cycles	10000 @ 70 °C, 1000000 @ <40 °C
Data retention period	10 years @ 40 °C (104 °F)

Ambient conditions

Ambient temperature	-25 ... 125 °C (-13 ... 257 °F)
Storage temperature	-40 ... 150 °C (-40 ... 302 °F)

Mechanical specifications

Protection degree	IP67
Material	
Housing	Epoxy resin
Mass	5 g

Compliance with standards and directives

Standard conformity	
Protection degree	EN 60529
RFID	ISO/IEC 15693-1 , ISO/IEC 15693-2 , ISO/IEC 15693-3 , ISO/IEC 18000-3

Notes

The transponder can be read and written from either side.