



### Model Number

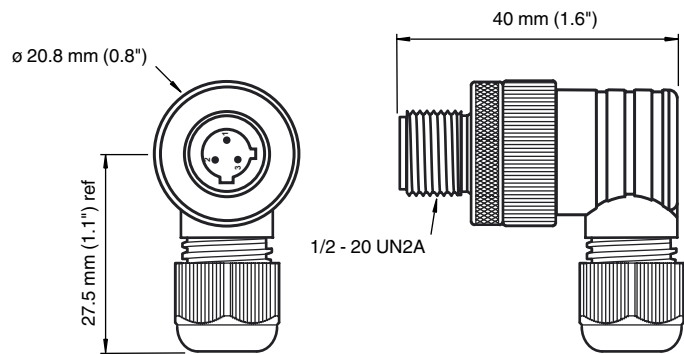
**V12S-W**

Field connector - Male, 1/2", Micro AC, 3-pin

### Features

- Gold plated contacts
- Screw terminal connection

### Dimensions



### Technical data

#### General specifications

Number of pins	3
Connection 1	Male connector
Construction type 1	right angle
Threading 1	1/2"

#### Electrical specifications

Operating voltage	$U_B$	max. 250 V AC
Operating current		max. 4 A
Volume resistance		$\leq 5 \text{ m}\Omega$

#### Ambient conditions

Ambient temperature	-25 ... 90 °C (-13 ... 194 °F)
---------------------	--------------------------------

#### Mechanical specifications

Connection type	1/2"-20 UN F, right angle Male connector with Screw terminals for max. 0.75 mm <sup>2</sup>
Core cross-section	$\leq 0.75 \text{ mm}^2$ 18 AWG
Protection degree	IP67
Material	
Contacts	Cu alloy
Contact surface	Au
Body	PA
Slotted nut	brass, nickel-plated
Cable	
Sheath diameter	4 ... 6 mm

### Electrical connection

