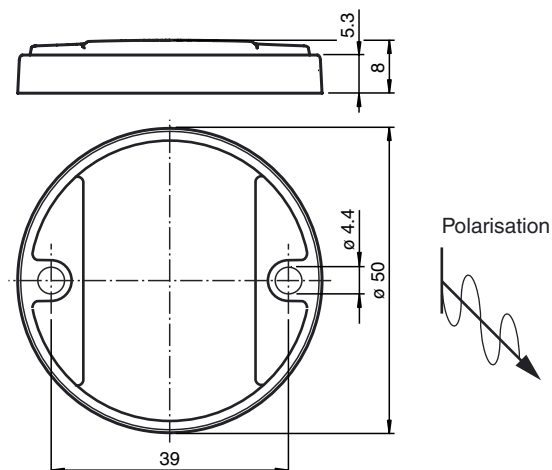




Dimensions



Model Number

IUC76-50-FR2

Data carrier

Features

- Operating frequency 902 ... 928 MHz
- Complies with EPC Gen2 (ISO/IEC 18000-63)
- Sturdy housing, suitable for rough industrial use
- Optimized for nonconductive surfaces

Technical data

General specifications

Operating frequency	902 ... 928 MHz
Polarization	linear

Memory

Chip Type	Higgs-3 (Alien)
Capacitance	96 Bit EPC, 512 Bit expanded memory, unique 64 bit fixcode (TID) available

Ambient conditions

Ambient temperature	-30 ... 85 °C (-22 ... 185 °F)
Storage temperature	-40 ... 100 °C (-40 ... 212 °F) 160 °C for 50 hours 220 °C for 30 minutes

Mechanical specifications

Protection degree	IP68
Material	
Housing	PA 6
Mass	26.5 g

Compliance with standards and directives

Directive conformity	
R&TTE Directive 1995/5/EC	EN 302208-2:2011 V1.4.1
Standard conformity	
Electromagnetic compatibility	EN 302208-2:2011 V1.4.1
Protection degree	EN 60529:2000
RFID	ISO/IEC 18000-63:2013