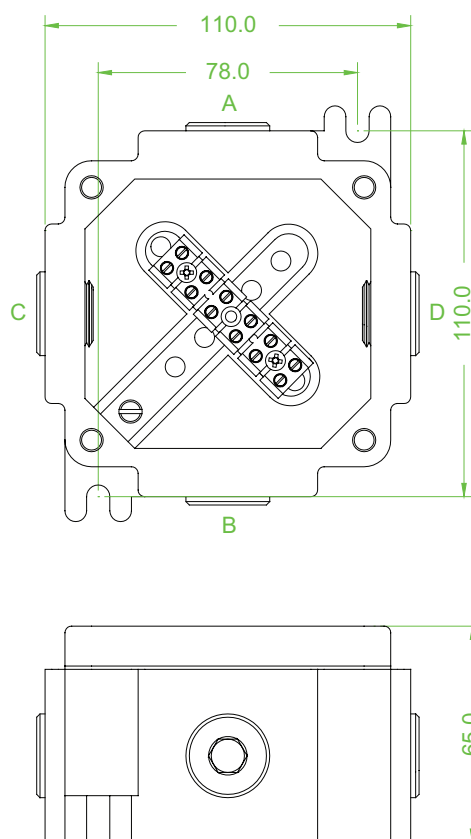




### Features

- Glass fiber reinforced polyester (GRP) enclosure
- Ex e and Ex tb certified
- 110 mm x 110 mm x 65 mm
- Customizable configuration of cable gland types as per specification
- Installation in Zone 1, Zone 2, Zone 21 and Zone 22
- Degree of protection IP66

### Dimensions (mm)



### Technical data

#### Electrical specifications

Operating voltage	420 V AC max. , 275 V AC max. when terminals are linked
Operating current	26 A max. , 26 A only with cable 6 mm <sup>2</sup>

#### Mechanical specifications

Height	110 mm (A)
Height internally	86.5 mm (D)
Width	110 mm (B)
Width internally	80.5 mm (E)
Depth	65 mm (C)
Depth internally	52.5 mm (F)
Fixing holes distance, height	110 mm (G)
Fixing holes distance, width	78 mm (H)
max. external dimension with mounting brackets	125 mm (K)
Enclosure cover	fully detachable
Cover fixing	M6 stainless steel socket cap head screws
Fixing holes diameter	7 mm (J)
Degree of protection	IP66
Cable entry	metric threaded
Number of cable entries	1 x M20 in face A fitted with nylon Ex e stopping plug 1 x M20 in face B fitted with nylon Ex e stopping plug 1 x M20 in face C fitted with nylon Ex e stopping plug 1 x M20 in face D fitted with nylon Ex e stopping plug N.B. nylon stopping plugs and glands limit lower ambient temperature to -20°C. -40°C when used with a stopping plug and gland rated to -40°C
Defined entry area	
Faces A and B	n/a
Cable gland quantity A/B	1 x M20
Faces C and D	n/a

Release date 2014-07-03 16:12 Date of issue 2014-07-03 t153143\_eng.xml

Refer to "General Notes Relating to Pepperl+Fuchs Product Information".

Pepperl+Fuchs Group  
www.pepperl-fuchs.com

USA: +1 330 486 0002  
pa-info@us.pepperl-fuchs.com

Germany: +49 621 776 2222  
pa-info@de.pepperl-fuchs.com

Singapore: +65 6779 9091  
pa-info@sg.pepperl-fuchs.com

Cable gland quantity C/D	1 x M20
Terminal assembly	
Rail orientation	diagonal
Number of rails	diagonal : 1
Usable length per rail	n/a
Terminal type	MK6/6/E
Terminal capacity	6 mm <sup>2</sup>
Number of terminals per rail	6 + earth
Material	
Enclosure	carbon loaded, anti static glass fiber reinforced polyester (GRP)
Finish	moulded, self-colour black
Seal	one piece solid silicone rubber
Mass	approx. 1.2 kg
Grounding	internal Ex e terminal
<b>Ambient conditions</b>	
Ambient temperature	-40 ... 50 °C (-40 ... 122 °F)
<b>Data for application in connection with Ex-areas</b>	
EC-Type Examination Certificate	SIRA 03 ATEX 3293
Group, category, type of protection, temperature class	⊕ II 2 GD Ex e IIC T6 Gb, Ex tb IIIC T85 °C Db
<b>International approvals</b>	
IECEX approval	IECEX SIR 10.0078
GOST-R approval	GOST-R B01008
<b>Conformity</b>	
Degree of protection	EN 60529
<b>General information</b>	
Supplementary information	EC-Type Examination Certificate, Statement of Conformity, Declaration of Conformity, Attestation of Conformity and instructions have to be observed where applicable. For information see <a href="http://www.pepperl-fuchs.com">www.pepperl-fuchs.com</a> .