



Model Number

AHM58-0

Features

- Industrial standard housing Ø58 mm
- 30 Bit multiturn
- Data transfer up to 2 Mbaud
- Optically isolated RS 422 interface
- Zero-set function
- Hollow shaft

Description

This multiturn absolute encoder with modern fast technology transmits a position value corresponding to the shaft setting via the SSI interface (Synchronous Serial Interface). The maximum resolution of the AHM58 is maximum 65536 steps per revolution at 16384 revolutions.

The devices of the AHM58 series are equipped with a microcontroller.

The control module sends a clock bundle to the absolute encoder to obtain position data. The rotary encoder then sends the position data synchronous to the cycles of the control module.

It is possible to select the following items with function inputs

- the counting direction and
- the zero-set function (preset value)

The absolute encoder is mounted directly onto the application shaft, without any coupling. Rotation of the absolute encoder is prevented by a torque rest.

The electrical connection is made by a 12-pin round plug connector. A version with a 1 m cable connector is also available.

Technical data

General specifications

Detection type	photoelectric sampling
Device type	Multiturn absolute encoder

Electrical specifications

Operating voltage U_B	4.5 ... 30 V DC
No-load supply current I_0	max. 180 mA
Linearity	± 2 LSB at 16 Bit, ± 1 LSB at 13 Bit, $\pm 0,5$ LSB at 12 Bit
Output code	Gray code, binary code
Code course (counting direction)	cw descending (clockwise rotation, code course descending)

Interface

Interface type	SSI
Monoflop time	20 \pm 10 μ s
Resolution	
Single turn	up to 16 Bit
Multiturn	14 Bit
Overall resolution	up to 30 Bit
Transfer rate	0.1 ... 2 MBit/s
Voltage drop	$U_B - 2.5$ V
Standard conformity	RS 422

Input 1

Input type	Selection of counting direction (cw/ccw)
Signal voltage	
High	4.5 ... 30 V
Low	0 ... 2 V
Input current	< 6 mA
Switch-on delay	< 10 ms

Input 2

Input type	zero-set (PRESET 1)
Signal voltage	
High	4.5 ... 30 V
Low	0 ... 2 V
Input current	< 6 mA
Signal duration	≥ 100 ms
Switch-on delay	< 10 ms

Connection

Connector	type 9416 (M23), 12-pin, type 9416L (M23), 12-pin
Cable	$\varnothing 7$ mm, 6 x 2 x 0.14 mm ² , 1 m

Standard conformity

Degree of protection	DIN EN 60529, IP65
Climatic testing	DIN EN 60068-2-3, no moisture condensation
Emitted interference	EN 61000-6-4:2007
Noise immunity	EN 61000-6-2:2005
Shock resistance	DIN EN 60068-2-27, 100 g, 6 ms
Vibration resistance	DIN EN 60068-2-6, 20 g, 10 ... 2000 Hz

Ambient conditions

Operating temperature	-40 ... 85 °C (-40 ... 185 °F)
Storage temperature	-40 ... 85 °C (-40 ... 185 °F)

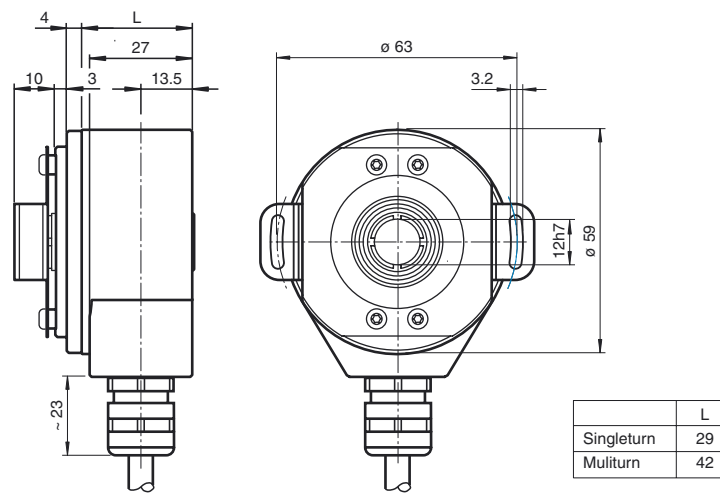
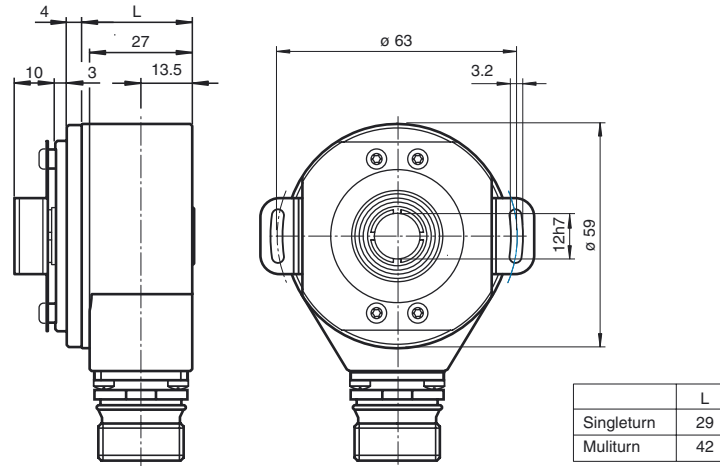
Mechanical specifications

Material	
Combination 1	Housing: aluminum Flange: aluminum Shaft: stainless steel
Mass	approx. 300 g (combination 1)
Rotational speed	max. 3000 min ⁻¹
Moment of inertia	30 gcm ²
Starting torque	< 3 Ncm
Shaft load	
Angle offset	$\pm 0.9^\circ$
Axial offset	static: ± 0.3 mm, dynamic: ± 0.1 mm
Radial offset	static: ± 0.5 mm, dynamic: ± 0.2 mm

Approvals and certificates

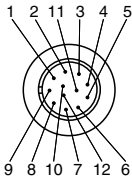
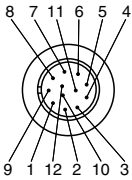
UL approval	cULus Listed, General Purpose, Class 2 Power Source
-------------	---

Dimensions



Release date: 2014-11-18 10:38 Date of issue: 2014-11-18 t155421_eng.xml

Electrical connection

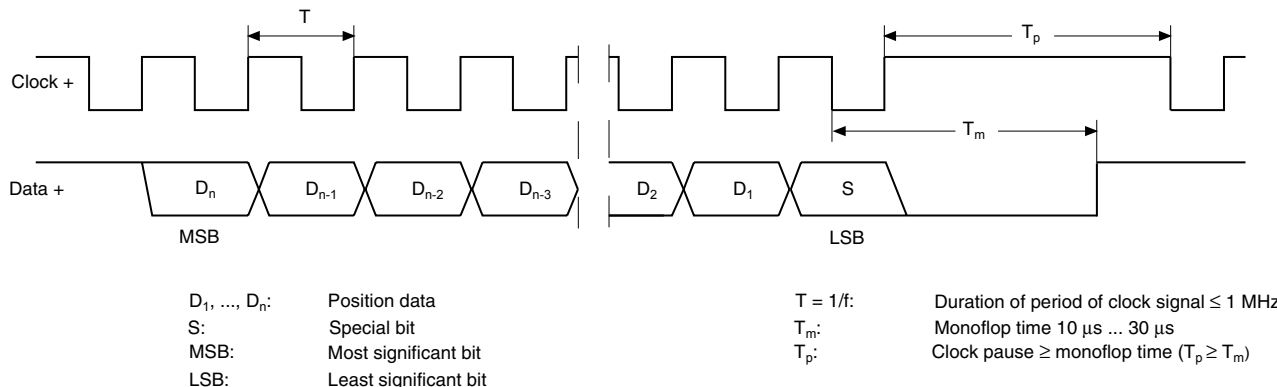
Signal	Cable Ø7 mm, 12-core	Connector 9416, 12-pin	Connector 9416L, 12-pin	Explanation
GND (encoder)	White	1	1	Power supply
U _b (encoder)	Brown	2	8	Power supply
Clock (+)	Green	3	3	Positive cycle line
Clock (-)	Yellow	4	11	Negative cycle line
Data (+)	Grey	5	2	Positive transmission data
Data (-)	Pink	6	10	Negative transmission data
Reserved	Black	7	12	Not wired, reserved
V/R	Red	8	5	Input for selection of counting direction
PRESET 1	Blue	9	9	zero-setting input
Reserved	Violet	10	4	Not wired, reserved
Reserved	Grey/Pink	11	6	Not wired, reserved
Reserved	Red/Blue	12	7	Not wired, reserved
				

Description

The Synchronous Serial Interface was specially developed for transferring the output data of an absolute encoder to a control device. The control module sends a clock bundle and the absolute encoder responds with the position value.

Thus only 4 lines are required for the clock and data, no matter what the resolution of the rotary encoder is. The RS 422 interface is optically isolated from the power supply.

SSI signal course Standard



SSI output format Standard

- At idle status signal lines "Data +" and "Clock +" are at high level (5 V).
- The first time the clock signal switches from high to low, the data transfer in which the current information (position data (D_n) and special bit (S)) is stored in the encoder is introduced.
- The highest order bit (MSB) is applied to the serial data output of the encoder with the first rising pulse edge.
- The next successive lower order bit is transferred with each following rising pulse edge.
- After the lowest order bit (LSB) has been transferred the data line switches to low until the monoplop time T_m has expired.
- No subsequent data transfer can be started until the data line switches to high again or the time for the clock pause T_p has expired.
- After the clock sequence is complete, the monoplop time T_m is triggered with the last falling pulse edge.
- The monoplop time T_m determines the lowest transmission frequency.

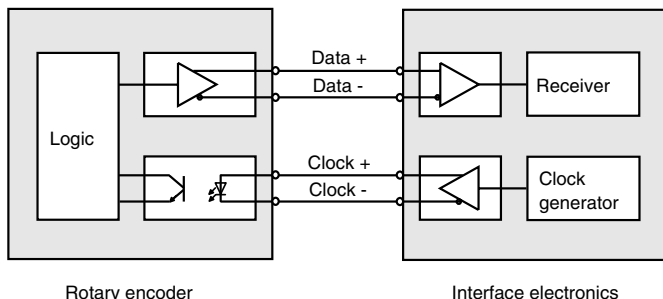
SSI output format ring slide operation (multiple transmission)

- In ring slide operation, multiple transmission of the same data word over the SSI interface makes it possible to offer the possibility of detecting transmission errors.
- In multiple transmission, 25 bits are transferred per data word in standard format.
- If the clock change is not interrupted after the last falling pulse edge, ring slide operation automatically becomes active. This means that the information that was stored at the time of the first clock change is generated again.
- After the first transmission, the 26th pulse controls data repetition. If the 26th pulse follows after an amount of time greater than the monoplop time T_m , a new current data word will be transmitted with the following pulses.



If the pulse line is exchanged, the data word is generated offset. Ring slide operation is possible up to max. 13 bits.

Block diagram



Line length

Line length in m	Baudrate in kHz
< 50	< 400
< 100	< 300
< 200	< 200
< 400	< 100

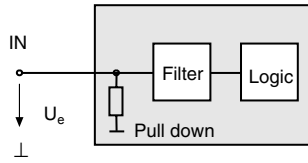
Inputs

The selection of the counting direction input (V/R) is activated with 0-level. The zero-set input (PRESET 1) is activated with 1-level.

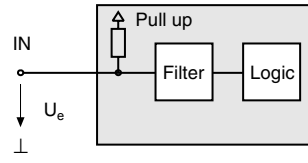
Release date: 2014-11-18 10:38 Date of issue: 2014-11-18 t155421_eng.xml



zero-set input (PRESET 1)



Input for selection of counting direction (V/R)



Release date: 2014-11-18 10:38 Date of issue: 2014-11-18 t155421_eng.xml

Refer to "General Notes Relating to Pepperl+Fuchs Product Information".

Pepperl+Fuchs Group
www.pepperl-fuchs.com

USA: +1 330 486 0001
fa-info@us.pepperl-fuchs.com

Germany: +49 621 776 4411
fa-info@de.pepperl-fuchs.com

Singapore: +65 6779 9091
fa-info@sg.pepperl-fuchs.com

Accessories

Accessories	Name/defining feature	Order code
Connectors	Cable socket	9416
	Cable socket	9416L

For additional information on the accessories, please see the "Accessories" section.

Order code



Number of bits singleturn
 12 4096 (standard)
 13 8192
 16 65536

Number of bits multiturn
 00 for singleturn-encoders
 12 4096 (standard)
 14 16384

Output code
B Binary
G Gray

Option
H Hardware encoder
0 Zero set function

Exit position
R Radial

Connection type
K1 Cable Ø7 mm, 6 x 2 x 0.14 mm², 1 m
AA Plug connector type 9416, 12-pin
AB Plug connector type 9416L, 12-pin

Shaft dimension/flange version
OAA Hollow shaft with Ø10 mm
OBA Hollow shaft with Ø12 mm

Housing material
N Aluminium

Principle of operation
S Singleturn
M Multiturn

Wellenausführung
H Hollow shaft

Data format
A SSI (Synchronous Serial Interface)

Release date: 2014-11-18 10:38 Date of issue: 2014-11-18 t155421_eng.xml