

Model Number

60-69*1

Features

- Up to 1250 ppr
- Rectangular design
- 10 V ... 30 V with short-circuit proof push-pull output

Description

The series 60 incremental rotary encoders are compact and ideal for simple applications.

The rectangular design of the flange and the four mounting holes allow simple installations of the encoder. The housing is made of a synthetic material. The pulse disk is plastic.

The encoder can be obtained either in a hollow shaft design or with a solid shaft. The solid shaft design has a feather key groove for attaching a belt pulley or similar device. The permissible radial force is 60 N, while the permissible axial force is 40 N.

Technical data

General specifications

Pulse count max. 1250

Electrical specifications

Operating voltage U_B 10 ... 30 V DC

No-load supply current I_0 max. 80 mA

Output

Output type push-pull, incremental

Voltage drop U_d < 4 V

Load current max. per channel 40 mA, short-circuit protected, reverse polarity protected

Output frequency max. 50 kHz

Rise time 250 ns

De-energized delay t_{off} 250 ns

Connection

Terminal compartment with cable gland PG7

Standard conformity

Degree of protection DIN EN 60529, IP50

Emitted interference EN 61000-6-4:2007/A1:2011

Noise immunity EN 61000-6-2:2005

Ambient conditions

Operating temperature

Plastic disk -20 ... 60 °C (-4 ... 140 °F)

Storage temperature

Plastic disk -40 ... 60 °C (-40 ... 140 °F)

Mechanical specifications

Material

Housing nickel-plated plastic

Flange Diecast zinc

Shaft Stainless steel 1.4305 / AISI 303

Mass approx. 400 g

Rotational speed max. 6000 min⁻¹

Moment of inertia ≤ 36 gcm²

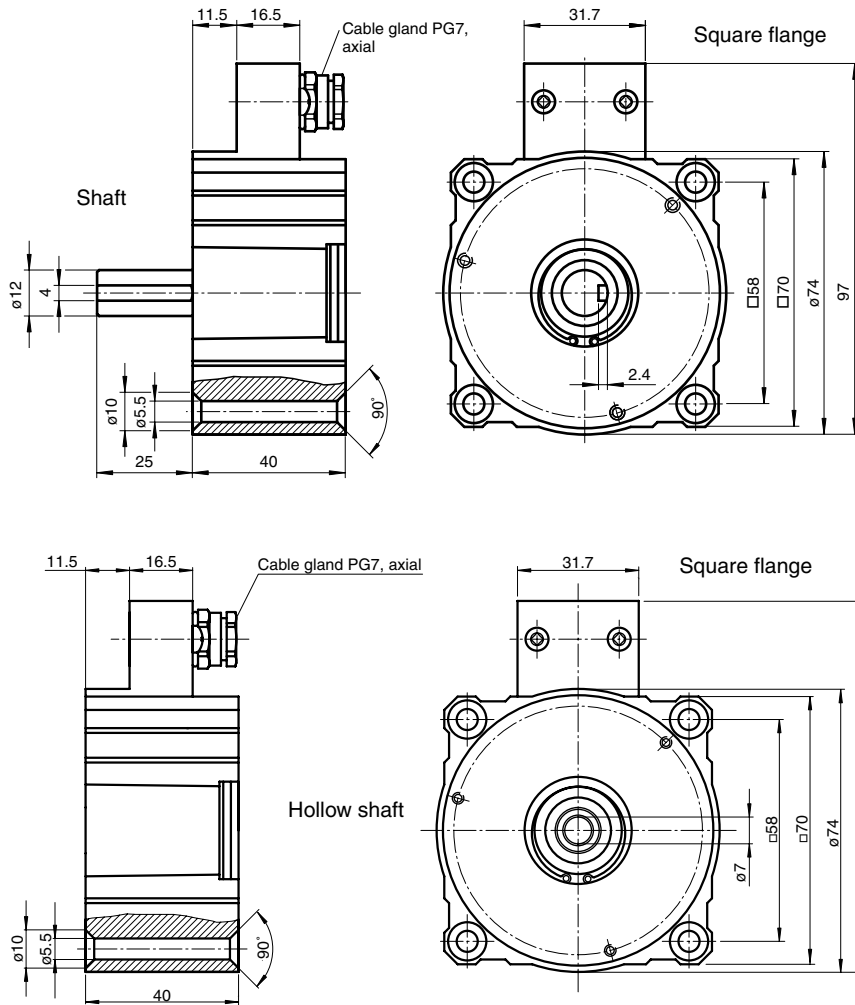
Starting torque ≤ 1 Ncm

Shaft load

Axial 40 N

Radial 60 N

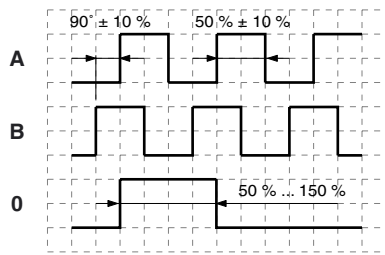
Dimensions



Electrical connection

Signal	Terminal compartment
GND	1
+U _b	2
A	3
B	4
0	5

Signal outputs



↻ cw - with view onto the shaft

Accessories

Accessories	Name/defining feature	Order code
Couplings	D1: Ø12 mm, D2: Ø12 mm	9401
	D1: Ø12 mm, D2: Ø12 mm	9404
	D1: Ø12 mm, D2: Ø12 mm	9409
	D1: Ø12 mm, D2: Ø12 mm	KW

For additional information on the accessories, please see the "Accessories" section.

Order code



Pulse count 50, 100, 360, 500, 1000, 1250

Shaft dimension

- 0 Shaft Ø12 mm x 25 mm
- 2 Hollow shaft Ø7 mm

Release date: 2014-12-11 09:21 Date of issue: 2014-12-11 12369_eng.xml