

Description:

The FLPA floodlight consists of an aluminium alloy body and a hinged cover with thermo-resistant tempered glass front. It is supplied with all electric components (lamp excluded), link terminal and aluminium internal reflector and stainless steel articulated mounting bracket.

Application:

The FLPA floodlight is suitable to light up large internal and external areas, where it is required high illumination power.

Material:

Body and cover: copper free aluminium alloy.
 Window: thermo-resistant tempered glass.
 Internal reflector: aluminium.
 Screws and bracket: stainless steel.

Certification characteristics:

Type of Protection: II 2GD Ex d IIB / Ex tD A21
 II 2GD Ex de IIB / Ex tD A21.
 Class of Temperature: T6 / T85 °C → T2 / T225 °C.
 Protection Degree: IP66.
 Certificate: INERIS 07ATEX0034X.
 Ambient Temp: -20 °C / +55 °C (+40 °C).
 Zones: 1 – 21 – 2 – 22.

Threads:

NPT (ANSI B1.20.1).
 Metric x1.5 (ISO 261).

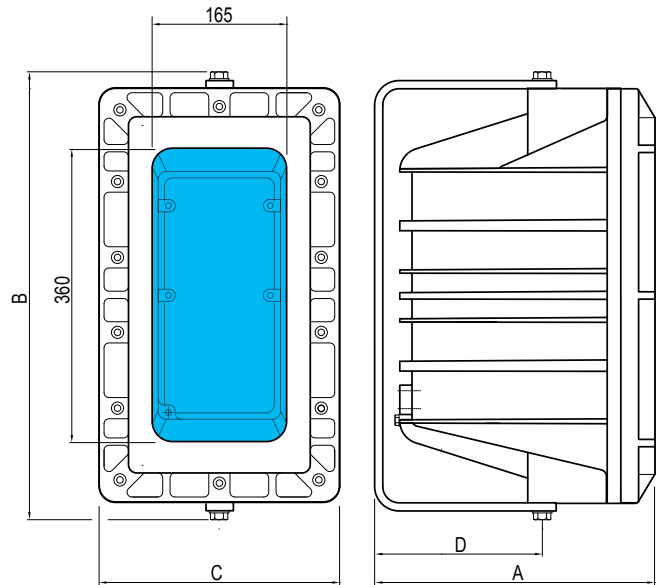
Inhibiting treatments:

Standard epoxy painting RAL 7000.

On request:

Stainless steel version AISI 304 or AISI316L.
 Internal lamp.
 Other epoxy painting colours different from the standards.
 Special inhibiting treatment.
 Cable glands for armoured or non armoured cable.
 Polar curve.

Drawing FLPA



Legend:

A - Maximum external dimension.
 B - Maximum external dimension with bracket.
 C - Maximum external dimension.
 D - Fixing bracket height.

Drawing dimensions [mm].

Grounding:

External: M6 grounding point.
 Internal: M5 grounding point.

FLPA - Data Table

Dimensions [mm] and approx. Weight [Kg]

Type	Internal Lamp	Power	Temp. Class (T. amb. +40 °C and +55 °C)	Dimensions				Weight
				A	B	C	D	
FLPA - 15NA	HPS Sodium	150 W	T3 / T195 °C	400	555	310	270	27
FLPA - 25NA	HPS Sodium	250 W	T3 / T195 °C					28
FLPA - 40NA	HPS Sodium	400 W	T3 / T195 °C					28
FLPA - 25HG	HPM Mercury	250 W	T3 / T195 °C					27
FLPA - 40HG	HPM Mercury	400 W	T2 / T225 °C					28
FLPA - 25MH	Metal Halide	250 W	T3 / T195 °C					27
FLPA - 40MH	Metal Halide	400 W	T2 / T225 °C					28

- Notes: 1) For the Ex de version, a safety increased enclosure for cables entry has to be included.
 2) For Ex de version, letter "E" has to be added after "FLPA" (e.g. FLPAE-15NA).
 For stainless steel version, letter "X" has to be added before lamp type (e.g. FLPA-X15NA).
 Complete example - FLPAE-X25HG: floodlight 250 W mercury vapour, Ex de, in stainless steel material.
 3) Standard cable entry: n. 1 entry Ø ½" NPT (Ex d version) and n. 2 entries Ø ½" NPT (Ex de version).
 4) Maximum cable entry size: ¾" or metric equivalent threads.
 5) Lamp holder type: E40.
 6) Maximum rated voltage: 240 Vac.

Release date 2011-01-24 - Updated 2013-07-26- A3