



Features

- Knurled nut suitable for tool mounting
- Mechanical detent for vibration protection
- Gold-plated and machined contacts

Technical data				
Number of pins	4	5	8	7 + 1 x shield
Electrical data				
Operating voltage U_b	Max. 250 V DC	Max. 60 V DC	Max. 30 V DC	
Operating current	Max. 4 A		Max. 2 A	
Volume resistance	< 5 mΩ			
Ambient conditions				
Ambient temperature	-40 ... 90 °C for body Information on cable quality can be found beginning on page 10			
Degree of pollution	3			
Mechanical data				
Contact elements	Spring-loaded contact sockets			
Degree of protection	IP67			
Material				
Contacts	CuSn / Au			
Contact surface	Au			
Body	TPU, black			
Coupling nut	Die-cast zinc			
Shield	Braided			

Sensor-actuator cable

Field-attachable connectors

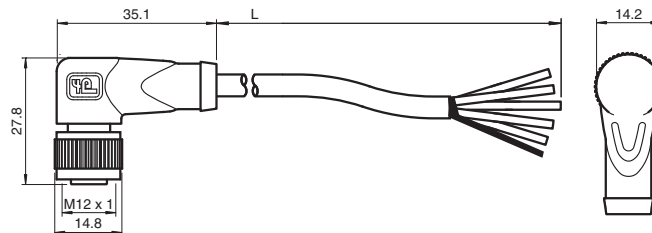
Junction blocks

Sensor-actuator splitters

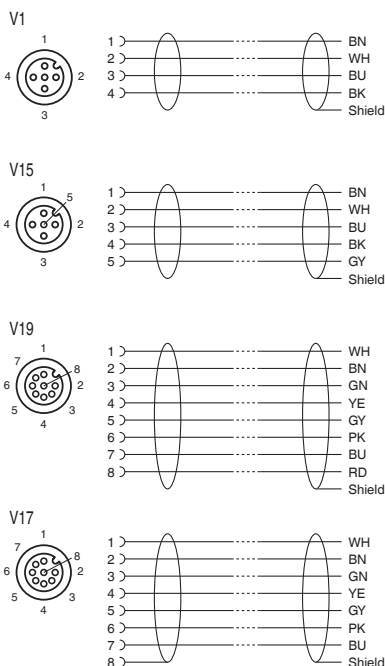
Sensor-actuator receptacles

Data connectors

Dimensions



Electrical connection



Order codes

