

Sensor-actuator cable



Field-attachable connectors



Features

- Stainless steel coupling nut
- Gold-plated and machined contacts
- Degree of protection: IP67 / IP68 / IP69K

Junction blocks

Sensor-actuator splitters

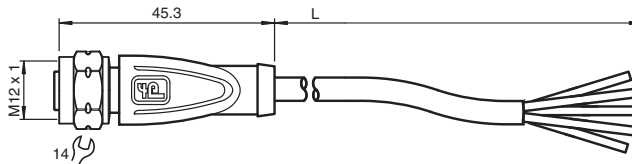
Sensor-actuator receptacles

Data connectors

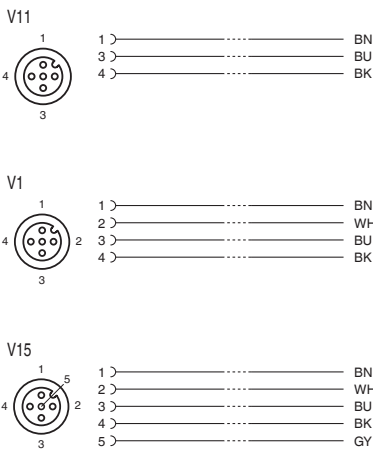
Technical data

Number of pins	3	4	5
Electrical data			
Operating voltage U_B	Max. 250 V AC/DC		Max. 60 V AC/DC
Testing voltage	> 1500 V _{eff} AC		
Operating current	Max. 4 A		
Volume resistance	< 5 mΩ		
Ambient conditions			
Ambient temperature	-40 ... 90 °C for body Information on cable quality can be found beginning on page 10		
Degree of pollution	3		
Mechanical data			
Contact elements	Spring-loaded contact sockets		
Degree of protection	IP67 / IP68 / IP69K		
Material			
Contacts	CuSn / Au		
Contact surface	Au		
Body	TPU, black		
Coupling nut	Stainless steel AISI 316L		
Approvals and certificates of compliance			
UL file number	E231213 Prerequisite for UL approval is the use of a UL-approved cable quality.		

Dimensions



Electrical connection



Order codes

Cable lengths in m
0.3 to 50

V . . - G V 4 A - . . . M -

Cable quality

- PVC	PVC, gray (0.34 mm ²)	●	●	●
BK PVC-U	PVC, UL-approved, black (0.34 mm ²)	○	○	-
YE PVC-U	PVC, UL-approved, yellow (0.34 mm ²)	○	○	-
- PUR	PUR, halogen-free, gray (0.34 mm ²)	○	○	○
BK PUR-U	PUR, halogen-free, UL-approved, black (0.34 mm ²)	○	○	-
YE PUR-U	PUR, halogen-free, UL-approved, yellow (0.34 mm ²)	○	○	-

Number of pins

V11 3-pin
V1 4-pin
V15 5-pin

● Standard, cable lengths of 2 m, 5 m and 10 m available in stock
○ Available, minimum order quantity applies in some cases
- Not available