



Features

- Built-in LED, as operating and function indicator
- Knurled nut suitable for tool mounting
- Mechanical detent for vibration protection
- Gold-plated and machined contacts

Technical data

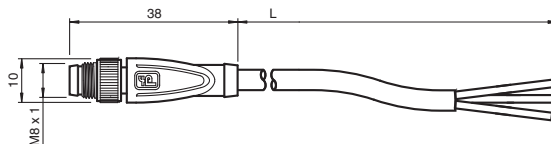
Number of pins	3
Display/controls	
Green LED	Operating display
Yellow LED	NO contact function display
Electrical data	
Operating voltage U_b	Max. 24 V DC \pm 15%
Operating current	Max. 3 A
Volume resistance	< 5 m Ω
Ambient conditions	
Ambient temperature	-40 ... 90 °C for body Information on cable quality can be found beginning on page 10
Degree of pollution	3
Mechanical data	
Pin diameter	1 mm
Degree of protection	IP67
Material	
Contacts	CuSn / Au
Contact surface	Au
Body	TPU, transparent
Coupling nut	Die-cast zinc

Sensor-actuator cable

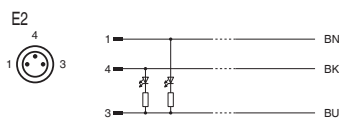
Field-attachable connectors

Junction blocks

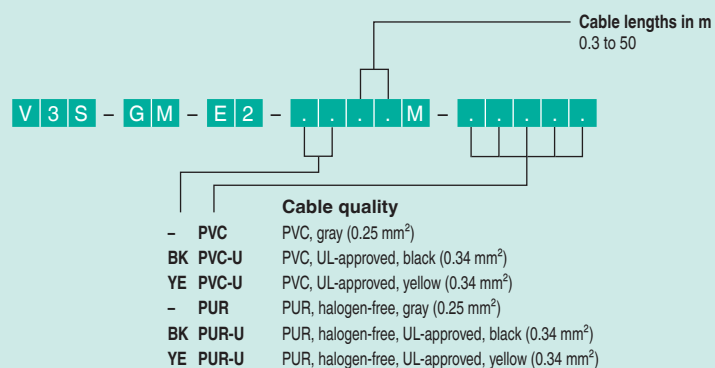
Dimensions



Electrical connection



Order codes



- Standard, available in stock
- Available, minimum order quantity applies in some cases
- Not available

Sensor-actuator splitters

Sensor-actuator receptacles

Data connectors