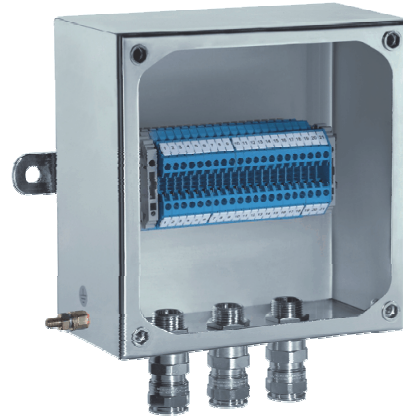


## Features

- Stainless steel enclosures
- Suitable for installation in Zones 0, 1, 2, 21 and 22
- Certified Ex e, Ex ia and Ex tb
- 6 enclosure size options
- Various terminal and cable gland configurations
- Wide range of accessories available

## Variant options



## Function

The SLS series is a range of terminal boxes which can be equipped with various types and quantities of terminals and cable glands.

The enclosures are manufactured from electropolished 316L stainless steel as standard to provide excellent tarnish and corrosion resistance. This surface finish is ideally suited to meet hygienic requirements valid in pharmaceutical and food processing plants.

Durable materials allows the terminal box to be used in ambient temperatures between -50 °C and +120 °C.

For terminal and cable gland configuration options please see overleaf. Further configurations can be confirmed by your local Pepperl+Fuchs office.



## Variants examples



Release date 2014-02-26 T164642

Refer to "General Notes Relating to Pepperl+Fuchs Product Information".

Pepperl+Fuchs Group  
www.pepperl-fuchs.com

USA: +1 330 486 0002  
pa-info@us.pepperl-fuchs.com

Germany: +49 621 776 2222  
pa-info@de.pepperl-fuchs.com

Singapore: +65 6779 9091  
pa-info@sg.pepperl-fuchs.com

**Technical data****Electrical specifications**

Operating voltage	690 V AC max.
Operating current	109 A max. (SLS6*: 126 A max.)

**Mechanical specification**

Enclosure cover	fully detachable
Cover fixing	see dimensions data table
Protection degree	IP66
Cable entry	cable glands as per specification, see cable entries table
Cable gland capacity	see cable entries table

**Terminal assembly**

Number of terminals	see terminal configurations table
---------------------	-----------------------------------

**Material**

Enclosure	1.5 mm AISI 316L (1.4404) stainless steel
Finish	electropolished
Seal	one piece closed cell neoprene, optional silicone
Mass	see dimensions data table
Grounding	M6 brass internal / external earth stud through enclosure body

**Ambient conditions**

Ambient temperature	-40 ... 40 °C (-40 ... 104 °F), optional -50 ... 120 °C (-58 ... 248 °F)
---------------------	--

**Data for application in connection with Ex-areas**

EC-Type Examination Certificate	SIRA 99 ATEX 3199
Group, category, type of protection, temperature class	<p>⊕ II 2 GD</p> <p>Ex e IIC T6 Gb, Ex tb IIIC T80 °C Db ( Ta ... +40 °C )  Ex e IIC T5 Gb, Ex tb IIIC T95 °C Db ( Ta ... +55 °C )  Ex e IIC T4 Gb, Ex tb IIIC T130 °C Db ( Ta ... +85 °C )  Ex e IIC T3 Gb, Ex tb IIIC T160 °C Db ( Ta ... +120 °C )</p> <hr/> <p>⊕ II 1 G, II 2 D</p> <p>Ex ia IIC T6 Ga, Ex tb IIIC T80 °C Db ( Ta ... +40 °C )  Ex ia IIC T5 Ga, Ex tb IIIC T95 °C Db ( Ta ... +55 °C )  Ex ia IIC T4 Ga, Ex tb IIIC T130 °C Db ( Ta ... +85 °C )  Ex ia IIC T3 Gb, Ex tb IIIC T160 °C Db ( Ta ... +120 °C )</p>

**International approvals**

IECEX approval	IECEX SIR 06.0074
GOST-R approval	GOST-R B01008
CCOE approval	A/P/HQ/MH/104/2293(P265961)

**Conformity**

Protection degree	EN 60529
-------------------	----------

**General information**

Supplementary information	EC-Type Examination Certificate, Statement of Conformity, Declaration of Conformity, Attestation of Conformity and instructions have to be observed where applicable. For information see <a href="http://www.pepperl-fuchs.com">www.pepperl-fuchs.com</a> .
Ordering information	Terminal Boxes will be delivered completely configured and assembled ready for use. For configuration details please contact Customer Service.

**Accessories**

Optional accessories	see accessories table
----------------------	-----------------------

## Terminal Configurations - Standard Terminals

Type	DIN rails vertical	Rail orientation	Rail length [mm]	Terminals per rail	Terminals total	Terminal type see *1*	Terminal capacity [mm <sup>2</sup> ]
	qty.			qty.	qty.		
SLS1*	1	horizontal	53	10	10	AKZ	2.5
SLS2*	1	horizontal	53	10	10	WDU	2.5
SLS3*	1	vertical	71	13	13	WDU	2.5
SLS4*	1	horizontal	71	13	13	WDU	2.5
SLS5*	1	vertical	120	23	23	WDU	2.5
SLS6*	1	horizontal	120	23	23	WDU	2.5

\*1\* for other terminal types and terminal capacities please contact Pepperl+Fuchs

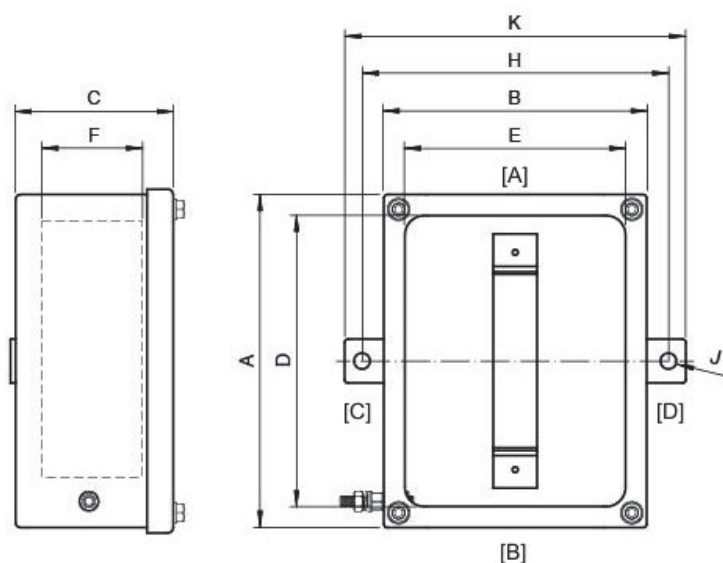
## Cable Entries - maximum quantity per size

Type	Cable entry area at faces		Cable gland quantity face A/B							Cable gland quantity face C/D						
	A & B [mm]	C & D [mm]	M12	M16	M20	M25	M32	M40	M50	M12	M16	M20	M25	M32	M40	M50
SLS1*	32.5 x 80	32.5 x 80	4	3	2	-	-	-	-	3	3	2	-	-	-	-
SLS2*	47.5 x 90	47.5 x 90	8	5	3	2	1	-	-	8	5	3	2	1	-	-
SLS3*	47.5 x 90	47.5 x 120	8	5	3	2	1	-	-	9	6	4	3	2	-	-
SLS4*	57.5 x 120	57.5 x 120	12	9	5	3	2	2	-	12	9	5	3	2	2	-
SLS5*	57.5 x 120	57.5 x 160	12	9	5	3	2	2	-	14	12	6	4	3	2	-
SLS6*	67.5 x 160	67.5 x 160	21	12	10	5	3	2	2	21	12	10	5	3	2	2

Cable gland standard type: polyamide Ex e cable glands

For other types of cable glands and combinations of different gland sizes please contact Pepperl+Fuchs

## Dimensions



## Legend

- A – Maximum external dimension
- B – Maximum external dimension
- C – Maximum external dimension
- D – Internal dimension
- E – Internal dimension
- F – Internal depth
- H – Fixing holes center
- J – Fixing holes diameter
- K – Maximum external dimension with bracket
- [A] – Entry face
- [B] – Entry face
- [C] – Entry face
- [D] – Entry face

For details see Dimensions Data Table

## Dimensions Data Table

Type	Dimensions [mm]				Dimensions internal [mm]			Fixation [mm]		Weight approx.	Cover fixing screws
	A	B	C	K	D	E	F	H	Diam. J	[kg]	Stainless steel
SLS1*	110	110	65	155	86	86	32.5	135	9.1	1.2	M6
SLS2*	120	120	80	165	96	96	47.5	145	10.3	1.4	M6
SLS3*	150	120	80	165	126	96	47.5	145	10.3	1.6	M6
SLS4*	150	150	90	195	126	126	57.5	175	10.3	1.9	M6
SLS5*	190	150	90	195	166	126	57.5	175	10.3	2	M6
SLS6*	190	190	100	235	166	166	67.5	215	10.3	3	M6

Weight shows empty enclosure, it will increase according to terminal and cable gland installations

**Type code / model number**

**Enclosure type**

SL metal enclosure  
 : **Material**  
 : S stainless steel  
 : **Enclosure size**  
 : 1 ... 6 see dimensions data table  
 : **Type of explosion protection**  
 : 1 Ex e, Ex tb  
 : 3 Ex ia, Ex tb  
 : **Type of solution**  
 : T terminal box  
 : **Item number**  
 : Yxxxxxx

SL	S			.T	-Yxxxxxx
----	---	--	--	----	----------

**Optional accessories**

- M10 stainless steel grounding stud assembly
- M10 brass grounding stud assembly
- 1.5 mm thick stainless steel mounting plate
- Engraved traffolyte tag label
- Engraved stainless steel tag label
- Color in-fill stainless steel tag label

Release date 2014-02-26 T164642

Refer to "General Notes Relating to Pepperl+Fuchs Product Information".