

**Features**

- Enclosures manufactured from copper-free aluminum or AISI 316L stainless steel
- Suitable for operation in Zones 1, 2, 21 and 22
- Certified Ex d IIB+H<sub>2</sub> and Ex tb
- More than 40 enclosure size options
- Free configuration of cable entries and terminals for customized terminal boxes
- Wide choice of operators for control stations, including
  - Pushbuttons
  - LED indicators
  - Emergency stop buttons
  - Key-release switches
  - Control switches
  - Potentiometers
  - Ammeters
- Customizable configuration of operating elements and cable gland types as per specification
- Integration of electrical components and control elements as per customer specification
- Choice of viewing windows for monitoring instruments

**Assembly**



**Function**

The EJB series of Ex d IIB+H<sub>2</sub> certified enclosures forms the optimal basis for the application-specific configuration of terminal boxes, control stations as well as control and distribution panels. A wide range of components and control functions can be integrated in one out of more than 40 sizes of Ex d and Ex tb certified flameproof enclosures. They are manufactured from copper-free aluminum with increased corrosion resistance or from high-quality stainless steel. This durability and the comprehensive enclosure sizes cover the requirements of many industries including offshore and marine applications.

A choice of windows allows viewing of integrated monitoring functions. Electrical components can be integrated as per customer specification.

**Type code / model number**

**Type**

**EJB** enclosure Ex d IIB+H<sub>2</sub>

**Material**

- : copper-free aluminum
- : **X** stainless steel

**Enclosure size**

**0 ... 20A** see dimensions data table

**Window**

- : no window
- : **W...** window with type indication

**further definition**

: digits for function definition, not fixed

**Item number**

: Yxxxxxx

EJB			.		-Yxxxxxx
EJB	X	20A	.	W7	- Yxxxxxx (example: EJB size 20A in stainless steel with window type 7)

Release date 2015-01-26 T164865

Refer to "General Notes Relating to Pepperl+Fuchs Product Information".

**Technical Data Enclosure EJB\* Ex d IIB+H<sub>2</sub> in Aluminum and Stainless Steel****Electrical specifications**

Operating voltage	660 V DC / 1000 V AC max.
Operating current	1600 A max.

**Mechanical Specification**

Cover fixing	stainless steel hexagonal socket head cap screw
Protection degree	IP66 (some variants IP67 with O-ring)

**Material**

Enclosures	copper-free aluminum alloy or AISI 316L (1.4404) stainless steel
Finish	aluminum: epoxy coated grey RAL7005 stainless steel: surface shot-peened
Seal	grease
Weight	see dimension data tables
Grounding	M6 external grounding stud, internal M5 or M6
Window	thermo-resistant tempered glass

**Ambient conditions**

Ambient temperature	see dimensions data table
---------------------	---------------------------

**Data for application in connection with Ex-areas**

EC-Type Examination Certificate	INERIS 14ATEX0022X (EJB20 / 20A in aluminum: INERIS 10ATEX0035X)
Group, category, type of protection, temperature class	[Ex] II 2 GD Ex d IIB+H <sub>2</sub> Gb (EJB20 / 20A in aluminum: Ex d IIB) Ex tb IIIC Db

**International approvals**

IECEx approval	IECEx INE 14.0029X (for EJB20 /20A in aluminum pending)
----------------	---

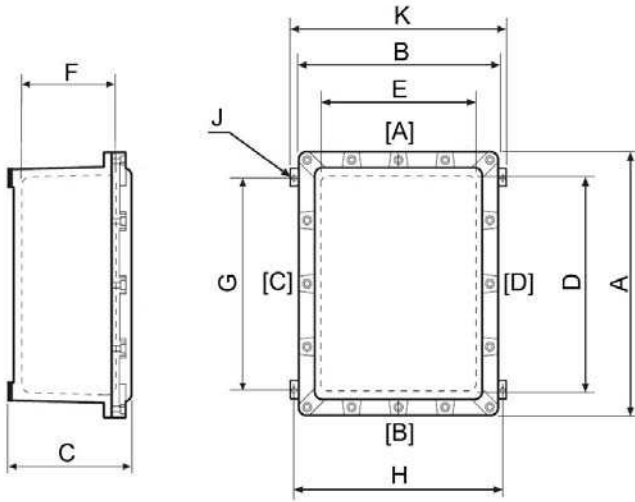
**Conformity**

Protection degree	EN 60529
-------------------	----------

**General information**

Supplementary information	EC-Type Examination Certificate, Statement of Conformity, Declaration of Conformity, Attestation of Conformity and instructions have to be observed where applicable. For information see <a href="http://www.pepperl-fuchs.com">www.pepperl-fuchs.com</a> .
---------------------------	---

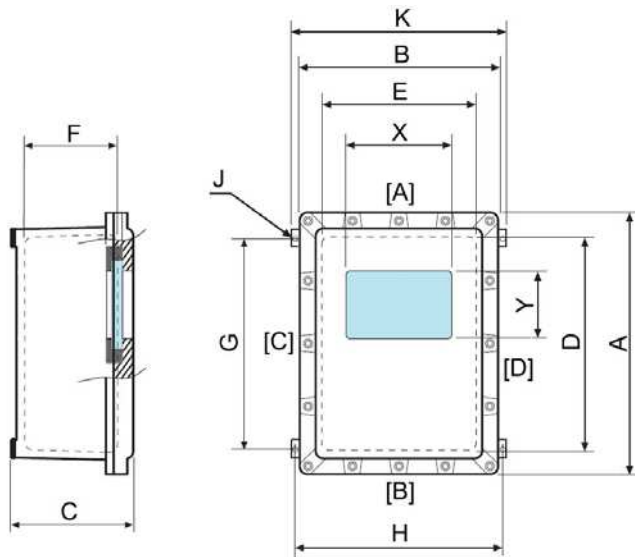
Dimensions EJB\*, Aluminum



Legend

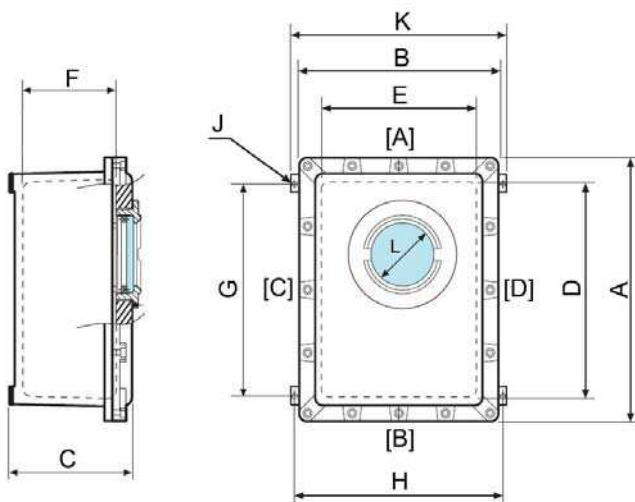
- A - Maximum external dimension
- B - Maximum external dimension
- C - Maximum external dimension, depth
- D - Internal dimension
- E - Internal dimension
- F - Internal depth
- G - Fixing holes center
- H - Fixing holes center
- J - Fixing holes diameter
- K - Maximum external dimension with mounting bracket
- L - Diameter circular window
- X - Window dimension
- Y - Window dimension
- [A] ... [D] - Entry faces

Dimensions EJBW\*, Aluminum with window



For details see dimensions data tables

Dimensions EJBWG\*, Aluminum with circular window



Release date 2015-01-26 T164865

Refer to "General Notes Relating to Pepperl+Fuchs Product Information".

Pepperl+Fuchs Group  
www.pepperl-fuchs.com

USA: +1 330 486 0002  
pa-info@us.pepperl-fuchs.com

Germany: +49 621 776 2222  
pa-info@de.pepperl-fuchs.com

Singapore: +65 6779 9091  
pa-info@sg.pepperl-fuchs.com

## Dimensions Data Tables EJB, Aluminum

Type	Dimensions (1) [mm]				Dimensions (1) internal [mm]				Fixation [mm]			Weight approx. (2)	Ambient Temperature		Max. power dissipation (3)
	A	B	C	K	D	E	F	G	H	Diam. J	[kg]	min. °C	max °C	[W]	
EJB 0	196	135	144	128	140	75	105	133	108	8	3.5	-50	+60	51	
EJB 1	218	175	141	178	155	115	110	148	158	8	5.5	-50	+60	72	
EJB 2	223	223	98	226	160	160	65	157	206	8	4.7	-50	+60	72	
EJB 2A	223	223	150	226	160	160	130	157	206	8	6.4	-50	+60	104	
EJB 3	249	150	118	165	200	100	85	185	145	8	4.7	-50	+60	70	
EJB 3A	249	150	146	165	200	100	110	185	145	8	4.8	-50	+60	83	
EJB 4	260	219	139	226	200	160	105	188	206	8	7.8	-50	+60	103	
EJB 4A	260	219	176	226	200	160	145	188	206	8	8.1	-50	+60	125	
EJB 6	311	209	131	216	250	150	95	230	196	8	7.5	-50	+60	116	
EJB 6A	311	209	170	216	250	150	130	230	196	8	9	-50	+60	139	
EJB 8	375	272	173	270	300	200	135	282	250	10	15.6	-50	+60	192	
EJB 8A*	375	272	200	270	300	200	155	282	250	1	16	-50	+60	211	
EJB 8B	375	272	234	270	300	200	195	282	250	10	18.4	-50	+60	236	
EJB 9	387	218	149	226	330	160	110	312	206	8	11.3	-50	+60	161	
EJB 9A	387	218	179	226	330	160	145	316	206	8	12.7	-50	+60	185	
EJB 9B	387	218	255	226	330	160	215	312	206	8	15.3	-50	+60	238	
EJB 10	452	336	164	350	370	260	120	345	320	9	19.8	-50	+60	262	
EJB 10A	452	336	207	350	370	260	165	345	320	9	20.6	-50	+60	305	
EJB 10B	452	336	261	350	370	260	220	345	320	9	25.5	-50	+60	353	
EJB 11*	489	415	182	415	400	320	135	363	385	10	29.7	-50	+60	342	
EJB 11A	489	415	222	415	400	320	175	363	385	10	30.6	-50	+60	383	
EJB 11B	489	415	269	415	400	320	220	363	385	10	37.3	-50	+60	432	
EJB 12	505	270	184	275	430	195	135	404	245	9	18.6	-50	+60	264	
EJB 13	510	310	210	318	430	230	170	398	290	10	21.9	-50	+60	312	
EJB 13A	510	310	259	318	430	230	220	398	290	10	24.6	-50	+60	365	
EJB 14	580	330	170	336	500	250	125	473	306	10	23.5	-50	+60	335	
EJB 14A	580	330	219	336	500	250	180	473	306	10	28.1	-50	+60	390	
EJB 15	581	429	226	460	500	350	170	462	430	11	40.4	-50	+60	481	
EJB 15A	581	429	280	460	500	350	215	462	430	11	51.5	-50	+60	540	
EJB 16	575	182	122	178	520	120	90	496	158	8	11.4	-50	+60	181	
EJB 17	662	485	257	494	570	400	200	550	464	11	52.5	-20	+60	745	
EJB 17A	662	485	377	494	570	400	315	550	464	11	70	-20	+60	746	
EJB 17Q*	630	630	351	613	500	500	280	453	583	11	85	-20	+60	593	
EJB 18	735	515	228	535	640	430	160	590	505	11	61.4	-20	+60	629	
EJB 18A	735	515	281	535	640	430	215	590	505	11	74.4	-20	+60	707	
EJB 18B	735	515	388	535	640	430	315	590	505	11	91.7	-20	+60	864	
EJB 19	730	378	199	384	650	300	140	610	354	11	43.6	-50	+60	492	
EJB 19A	730	378	259	384	650	300	205	610	354	11	46	-50	+60	556	
EJB 20 (4)	915	662	330	670	800	550	240	697	630	14	132	-20	+55	750	
EJB 20A (4)	915	662	463	670	800	550	380	697	630	14	157	-20	+55	750	

(\*) Enclosures available in IP67 with O-ring.

(1) Real values might differ slightly due to casting tolerances.

(2) Weight shows empty enclosures, it will increase according to installed components.

(3) Max. Power dissipation at T4, enclosures without windows.

(4) Gas group IIB

## Cable Entries EJB - maximum quantity per size

Type	Cable gland quantity - face A/B								Cable gland quantity - face C/D							
	M20	M25	M32	M42	M50	M63	M75	M85	M20	M25	M32	M42	M50	M63	M75	M85
	1/2"	3/4"	1"	1.1/4"	1.1/2"	2"	2.1/2"	3"	1/2"	3/4"	1"	1.1/4"	1.1/2"	2"	2.1/2"	3"
EJB 0	4	3	1	1	1	1	-	-	5	4	3	2	2	1	-	-
EJB 1	5	4	2	2	1	1	-	-	6	5	4	2	2	1	-	-
EJB 2	4	3	2	-	-	-	-	-	4	3	2	-	-	-	-	-
EJB 2A	8	8	5	3	2	2	1	-	8	8	5	3	2	2	1	-
EJB 3	4	2	2	1	1	-	-	-	7	4	4	3	3	-	-	-
EJB 3A	5	4	3	2	1	1	-	-	8	8	5	3	3	2	-	-
EJB 4	5	4	3	2	2	1	-	-	6	5	3	3	2	2	-	-
EJB 4A	6	5	4	4	3	2	-	-	8	6	5	5	4	2	-	-
EJB 6	5	5	3	2	2	1	-	-	9	9	5	4	3	3	-	-
EJB 6A	8	8	5	3	2	2	1	1	14	14	8	5	5	3	2	2
EJB 8	10	8	6	5	4	2	1	1	12	12	10	7	5	3	2	2
EJB 8A*	11	11	6	5	5	2	2	1	15	14	10	8	7	3	3	2
EJB 8B	12	12	9	8	6	3	2	1	17	15	14	11	8	5	3	2
EJB 9	5	5	4	4	3	2	-	-	9	9	6	5	4	3	-	-
EJB 9A	8	6	6	4	4	2	1	1	12	12	9	7	5	3	3	2
EJB 9B	12	10	9	5	5	2	2	1	22	18	12	11	8	6	4	3
EJB 10	10	8	7	5	4	3	2	-	12	12	9	6	5	4	3	-
EJB 10A	10	10	8	6	5	3	2	2	14	14	10	8	7	4	3	2
EJB 10B	12	12	11	8	6	4	3	2	18	18	15	11	8	5	4	3
EJB 11*	12	12	9	5	4	3	3	-	16	16	13	6	5	4	3	-
EJB 11A	14	14	1	7	5	4	3	2	20	20	13	9	7	5	3	3
EJB 11B	18	18	14	8	8	5	3	2	21	21	17	10	10	7	4	3
EJB 12	11	11	8	5	4	2	2	1	20	20	12	11	7	4	4	3
EJB 13	11	11	8	6	5	3	2	2	23	23	14	11	9	5	4	3
EJB 13A	15	12	9	8	8	4	2	2	24	24	17	11	11	6	5	3
EJB 14	10	10	8	5	4	3	2		18	18	15	8	7	5	4	-
EJB 14A	15	14	11	6	5	3	2	2	27	26	20	12	11	6	4	3
EJB 15	17	17	10	8	7	4	3	2	23	23	14	10	10	5	4	3
EJB 15A	18	18	11	8	8	5	3	3	24	24	17	12	12	7	5	3
EJB 16	5	5	3	2	2	1	-	-	17	17	9	6	6	4	-	-
EJB 17	21	21	12	10	10	5	4	3	27	27	20	13	13	7	5	4
EJB 17A	24	24	18	12	11	8	6	5	32	32	21	18	17	14	8	5
EJB 17Q*	30	22	18	17	14	8	7	5	30	22	18	17	14	8	7	5
EJB 18	14	12	12	10	8	5	3	3	20	20	16	15	13	7	5	3
EJB 18A	21	21	17	14	9	7	5	3	30	30	23	20	17	10	6	5
EJB 18B	24	24	18	15	15	11	6	5	36	36	30	26	18	14	8	8
EJB 19	10	10	8	7	5	3	2	2	20	20	16	13	11	6	5	4
EJB 19A	15	15	11	8	6	5	3	2	27	27	23	20	4	9	7	5
EJB 20	12	12	12	10	10	5	3	2	20	20	16	16	12	6	4	4
EJB 20A	18	18	15	12	10	6	4	4	24	24	20	20	12	8	8	8

Metric ISO pitch 1.5 mm, NPT ANSI ASME B1.20.1

For types of cable glands and combination of different gland sizes please contact Pepperl+Fuchs.

## Cable Entries EJB - maximum quantity per size

Type	Cable gland quantity - cover			Cable gland quantity - bottom				
	M12 1/4"	M20 1/2"	M32 1"	M20 1/2"	M25 3/4"	M32 1"	M42 1.1/4"	M50 1.1/2"
EJB 0	4	3	3	2	2	1	-	-
EJB 1	6	6	6	2	2	1	-	-
EJB 2	9	9	5	2	2	2	-	-
EJB 2A	9	9	5	2	2	2	-	-
EJB 3	8	8	6	2	2	1	-	-
EJB 3A	8	8	6	2	2	1	-	-
EJB 4	20	16	9	2	2	2	-	-
EJB 4A	20	16	9	2	2	2	-	-
EJB 6	15	15	8	3	3	2	-	-
EJB 6A	15	15	8	3	3	2	-	-
EJB 8	20	20	12	4	4	3	-	-
EJB 8A*	20	20	12	4	4	3	-	-
EJB 8B	20	20	12	4	4	3	-	-
EJB 9	18	18	10	4	4	3	-	-
EJB 9A	18	18	10	4	4	3	-	-
EJB 9B	18	18	10	4	4	3	-	-
EJB 10	20	20	16	4	4	3	1	1
EJB 10A	20	20	16	4	4	3	1	1
EJB 10B	20	20	16	4	4	3	1	1
EJB 11*	28	28	24	5	5	4	2	2
EJB 11A	28	28	24	5	5	4	2	2
EJB 11B	28	28	24	5	5	4	2	2
EJB 12	20	20	16	4	4	3	1	1
EJB 13	21	21	18	4	4	3	1	1
EJB 13A	21	21	18	4	4	3	1	1
EJB 14	32	32	20	5	5	3	1	1
EJB 14A	32	32	20	5	5	3	1	1
EJB 15	40	40	30	6	6	4	3	2
EJB 15A	40	40	30	6	6	4	3	2
EJB 16	18	18	14	4	4	3	1	1
EJB 17	35	35	24	6	6	5	3	3
EJB 17A	35	35	24	6	6	5	3	3
EJB 17Q*	42	42	28	6	6	5	3	3
EJB 18	45	45	32	6	6	5	3	3
EJB 18A	45	45	32	6	6	5	3	3
EJB 18B	45	45	32	6	6	5	3	3
EJB 19	35	35	28	6	6	5	3	3
EJB 19A	35	35	28	6	6	5	3	3
EJB 20	35	35	35	6	6	5	3	3
EJB 20A	35	35	35	6	6	5	3	3

Metric ISO pitch 1.5 mm, NPT ANSI ASME B1.20.1

For types of cable glands and combination of different gland sizes please contact Pepperl+Fuchs.

## EJBW Rectangular Windows

Type	W0 75x75 mm		W1 105x75 mm		W2 150x105 mm		W2A 180x40 mm		W3 210x150 mm		W3A 200x200 mm		W4 300x50 mm		W5 300x210 mm		W6 300x80 mm		W7 120x108 mm		
	H	V	H	V	H	V	H	V	H	V	H	V	H	V	H	V	H	V	H	V	
EJB 0	-	-	-	-	-	-	-	-	-	-	-	-	-	-	-	-	-	-	-	-	-
EJB 1	-	-	-	-	-	-	-	-	-	-	-	-	-	-	-	-	-	-	-	-	-
EJB 2	x	x	-	-	-	-	-	-	-	-	-	-	-	-	-	-	-	-	-	-	-
EJB 2A	x	x	-	-	-	-	-	-	-	-	-	-	-	-	-	-	-	-	-	-	-
EJB 3	-	-	-	-	-	-	-	-	-	-	-	-	-	-	-	-	-	-	-	-	-
EJB 3A	-	-	-	-	-	-	-	-	-	-	-	-	-	-	-	-	-	-	-	-	-
EJB 4	x	x	-	x	-	-	-	-	-	-	-	-	-	-	-	-	-	-	-	-	-
EJB 4A	x	x	-	x	-	-	-	-	-	-	-	-	-	-	-	-	-	-	-	-	-
EJB 6	x	x	-	x	-	-	-	-	-	-	-	-	-	-	-	-	-	-	-	-	-
EJB 6A	x	x	-	x	-	-	-	-	-	-	-	-	-	-	-	-	-	-	-	-	-
EJB 8	x	x	x	x	-	x	-	-	-	-	-	-	-	-	-	-	-	-	x	x	x
EJB 8A*	x	x	x	x	-	x	-	-	-	-	-	-	-	-	-	-	-	-	x	x	x
EJB 8B	x	x	x	x	-	x	-	-	-	-	-	-	-	-	-	-	-	-	x	x	x
EJB 9	x	x	-	x	-	-	-	-	-	-	-	-	-	-	-	-	-	-	-	-	-
EJB 9A	x	x	-	x	-	-	-	-	-	-	-	-	-	-	-	-	-	-	-	-	-
EJB 9B	x	x	-	x	-	-	-	-	-	-	-	-	-	-	-	-	-	-	-	-	-
EJB 10	x	x	x	x	x	x	-	x	-	x	-	-	-	-	-	-	-	-	x	x	x
EJB 10A	x	x	x	x	x	x	-	x	-	x	-	-	-	-	-	-	-	-	x	x	x
EJB 10B	x	x	x	x	x	x	-	x	-	x	-	-	-	-	-	-	-	-	x	x	x
EJB 11*	x	x	x	x	x	x	x	x	x	x	x	x	-	x	-	x	-	x	x	x	x
EJB 11A	x	x	x	x	x	x	x	x	x	x	x	x	-	x	-	x	-	x	x	x	x
EJB 11B	x	x	x	x	x	x	x	x	x	x	x	x	-	x	-	x	-	x	x	x	x
EJB 12	x	x	x	x	-	x	-	-	-	-	-	-	-	x	-	-	-	x	-	x	x
EJB 13	x	x	x	x	-	x	-	-	-	-	-	-	-	x	-	-	-	x	x	x	x
EJB 13A	x	x	x	x	-	x	-	-	-	-	-	-	-	x	-	-	-	x	x	x	x
EJB 14	x	x	x	x	x	x	-	x	-	-	-	-	-	x	-	-	-	x	x	x	x
EJB 14A	x	x	x	x	x	x	-	x	-	-	-	-	-	x	-	-	-	x	x	x	x
EJB 15	x	x	x	x	x	x	x	x	x	x	x	x	-	x	-	x	-	x	x	x	x
EJB 15A	x	x	x	x	x	x	x	x	x	x	x	x	-	x	-	x	-	x	x	x	x
EJB 16	-	-	-	-	-	-	-	-	-	-	-	-	-	x	-	-	-	-	-	-	-
EJB 17	x	x	x	x	x	x	x	x	x	x	x	x	x	x	x	x	x	x	x	x	x
EJB 17A	x	x	x	x	x	x	x	x	x	x	x	x	x	x	x	x	x	x	x	x	x
EJB 17Q*	x	x	x	x	x	x	x	x	x	x	x	x	x	x	x	x	x	x	x	x	x
EJB 18	x	x	x	x	x	x	x	x	x	x	x	x	x	x	x	x	x	x	x	x	x
EJB 18A	x	x	x	x	x	x	x	x	x	x	x	x	x	x	x	x	x	x	x	x	x
EJB 18B	x	x	x	x	x	x	x	x	x	x	x	x	x	x	x	x	x	x	x	x	x
EJB 19	x	x	x	x	x	x	x	x	x	x	x	x	-	x	-	x	-	x	x	x	x
EJB 19A	x	x	x	x	x	x	x	x	x	x	x	x	-	x	-	x	-	x	x	x	x
EJB 20 (4)	x	x	x	x	x	x	x	x	x	x	x	x	x	x	x	x	x	x	x	x	x
EJB 20A (4)	x	x	x	x	x	x	x	x	x	x	x	x	x	x	x	x	x	x	x	x	x

(\*) Enclosures available in IP67 with O-ring.

H = Horizontal window, V = Vertical window

(4) Gas group IIB

## EJBWG Circular Windows

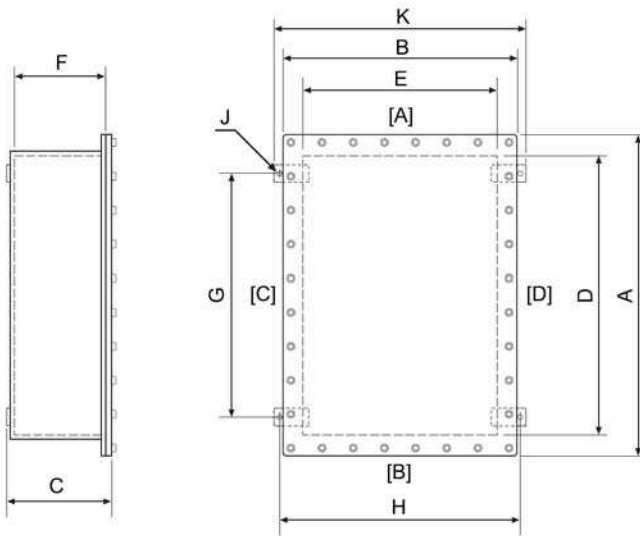
Type	WGS 50 mm diam.	WG00 63 mm diam.	WG0 79 mm diam.	WG1 121 mm diam.	WG2/3 160 mm diam.	WG3L 260 mm diam.
EJB 0	-	-	-	-	-	-
EJB 1	x	x	-	-	-	-
EJB 2	x	x	x	-	-	-
EJB 2A	x	x	x	-	-	-
EJB 3	x	-	-	-	-	-
EJB 3A	x	-	-	-	-	-
EJB 4	x	x	x	-	-	-
EJB 4A	x	x	x	-	-	-
EJB 6	x	x	x	-	-	-
EJB 6A	x	x	x	-	-	-
EJB 8	x	x	x	x	-	-
EJB 8A*	x	x	x	x	-	-
EJB 8B	x	x	x	x	-	-
EJB 9	x	x	x	-	-	-
EJB 9A	x	x	x	-	-	-
EJB 9B	x	x	x	-	-	-
EJB 10	x	x	x	x	x	-
EJB 10A	x	x	x	x	x	-
EJB 10B	x	x	x	x	x	-
EJB 11*	x	x	x	x	x	-
EJB 11A	x	x	x	x	x	-
EJB 11B	x	x	x	x	x	-
EJB 12	x	x	x	x	-	-
EJB 13	x	x	x	x	-	-
EJB 13A	x	x	x	x	-	-
EJB 14	x	x	x	x	x	-
EJB 14A	x	x	x	x	x	-
EJB 15	x	x	x	x	x	x
EJB 15A	x	x	x	x	x	x
EJB 16	x	x	-	-	-	-
EJB 17	x	x	x	x	x	x
EJB 17A	x	x	x	x	x	x
EJB 17Q*	x	x	x	x	x	x
EJB 18	x	x	x	x	x	x
EJB 18A	x	x	x	x	x	x
EJB 18B	x	x	x	x	x	x
EJB 19	x	x	x	x	x	-
EJB 19A	x	x	x	x	x	-
EJB 20 (4)	x	x	x	x	x	x
EJB 20A (4)	x	x	x	x	x	x

(\*) Enclosures available in IP67 with O-ring.

(4) Gas group IIB



## Dimensions EJBX\*, Stainless Steel

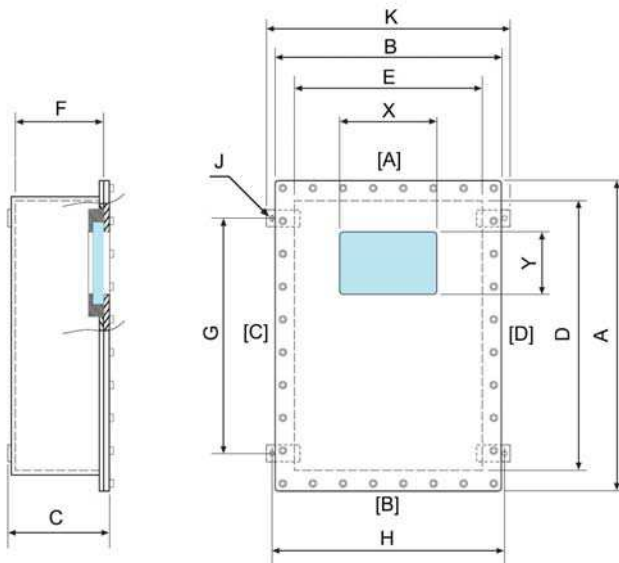


## Legend

- A - Maximum external dimension
- B - Maximum external dimension
- C - Maximum external dimension, depth
- D - Internal dimension
- E - Internal dimension
- F - Internal depth
- G - Fixing holes center
- H - Fixing holes center
- J - Fixing holes diameter
- K - Maximum external dimension with mounting bracket
- X - Window dimension
- Y - Window dimension
- [A] ... [D] - Entry faces

For details see dimensions data tables

## Dimensions EJBXW\*, Stainless Steel with window



Dimensions Data Tables EJBX, Stainless Steel

Type	Dimensions (1) [mm]				Dimensions (1) internal [mm]				Fixation [mm]			Weight approx. (2) [kg]	Ambient Temperature		Max. power dissipation (3) [W]
	A	B	C	K	D	E	F	G	H	Diam. J	min. °C		max °C		
EJBX 0	196	131	141	128	140	75	120	133	108	8	7	-50	+60	51	
EJBX 1	213	173	141	178	155	115	120	148	158	8	9.5	-50	+60	72	
EJBX 2	218	218	86	226	160	160	65	157	206	8	10	-50	+60	72	
EJBX 2A	218	218	156	226	160	160	135	157	206	8	12	-50	+60	104	
EJBX 3	250	150	121	165	200	100	100	185	145	8	10	-50	+60	70	
EJBX 3A	250	150	156	165	200	100	135	185	145	8	11	-50	+60	83	
EJBX 4	260	220	140	226	200	160	115	188	206	8	15.5	-50	+60	103	
EJBX 4A	260	220	180	226	200	160	155	188	206	8	17	-50	+60	125	
EJBX 5	260	190	121	195	200	130	100	178	175	8	12	-50	+60	87	
EJBX 6	308	208	135	216	250	150	110	233	196	8	17.5	-50	+60	116	
EJBX 6A	308	208	170	216	250	150	145	230	196	8	19	-50	+60	139	
EJBX 8	368	268	175	270	300	200	150	282	250	10	27	-50	+60	192	
EJBX 8A	368	268	197	270	300	200	170	282	250	10	33	-50	+60	211	
EJBX 8B	368	268	232	270	300	200	205	282	250	10	36	-50	+60	236	
EJBX 9	386	216	150	226	330	160	125	280	206	10	23	-50	+60	161	
EJBX 9A	386	216	180	226	330	160	155	280	206	10	25	-50	+60	185	
EJBX 9B	386	216	257	226	330	160	230	316	206	10	37	-50	+60	238	
EJBX 10	448	336	157	350	370	260	130	345	320	10	42	-50	+60	262	
EJBX 10A	448	336	208	350	370	260	180	345	320	10	46.5	-50	+60	305	
EJBX 10B	448	336	268	350	370	260	235	345	320	10	66	-50	+60	353	
EJBX 11	486	406	178	415	400	320	150	363	385	10	55	-50	+60	342	
EJBX 11A	486	406	223	415	400	320	190	363	385	10	73	-50	+60	383	
EJBX 11B	486	406	273	415	400	320	240	363	385	10	80	-50	+60	432	
EJBX 12	498	263	173	275	430	195	145	404	245	10	40	-50	+60	264	
EJBX 13	506	306	208	318	430	230	180	398	290	10	49	-50	+60	312	
EJBX 13A	506	306	263	318	430	230	230	398	290	10	67	-50	+60	365	
EJBX 14	576	326	168	336	500	250	140	473	306	10	53	-50	+60	335	
EJBX 14A	576	326	228	336	500	250	195	473	306	10	73	-50	+60	390	
EJBX 15	576	426	223	460	500	350	190	462	430	12	89	-50	+60	481	
EJBX 15A	576	426	265	460	500	350	230	462	430	12	96	-50	+60	540	
EJBX 15B	576	426	145	460	500	350	110	462	430	12	75	-50	+60	394	
EJBX 16	577	482	125	178	515	120	100	502	158	10	32	-50	+60	181	
EJBX 17	660	490	245	494	570	400	210	550	464	14	130	-50	+60	745	
EJBX 17A	660	490	360	494	570	400	325	550	464	14	145	-50	+60	746	
EJBX 17Q	592	592	315	640	500	500	280	395	595	14	143	-50	+60	593	
EJBX 18	732	522	205	535	640	430	170	590	505	14	133	-50	+60	629	
EJBX 18A	732	522	265	535	640	430	230	590	505	14	145	-50	+60	707	
EJBX 18B	732	522	365	535	640	430	330	590	505	14	167	-50	+60	864	
EJBX 19	726	376	185	384	650	300	150	610	354	14	97	-50	+60	492	
EJBX 19A	726	376	255	384	650	300	220	610	354	14	110	-50	+60	556	
EJBX 20 (4)	920	670	307	670	800	550	260	697	630	16	268	-50	+60	1616	
EJBX 20A (4)	920	670	437	670	800	550	390	697	630	16	316	-50	+60	1616	

All enclosures available in IP67 with O-ring.

(1) Real values might differ slightly due to manufacturing tolerances.

(2) Weight shows empty enclosures, it will increase according to installed components.

(3) Max. Power dissipation at T4, enclosures without windows. (4) Gas group IIB

## Cable Entries EJBX - maximum quantity per size

Type	Cable gland quantity - face A/B								Cable gland quantity face - C/D							
	M20	M25	M32	M42	M50	M63	M75	M85	M20	M25	M32	M42	M50	M63	M75	M85
	1/2"	3/4"	1"	1.1/4"	1.1/2"	2"	2.1/2"	3"	1/2"	3/4"	1"	1.1/4"	1.1/2"	2"	2.1/2"	3"
EJBX 0	4	3	1	1	1	1	-	-	5	4	3	2	2	1	-	-
EJBX 1	5	4	2	2	1	1	-	-	6	5	4	2	2	1	-	-
EJBX 2	4	3	2	-	-	-	-	-	4	3	2	-	-	-	-	-
EJBX 2A	8	8	5	3	2	2	1	-	8	8	5	3	2	2	1	-
EJBX 3	4	2	2	1	1	-	-	-	7	4	4	3	3	-	-	-
EJBX 3A	5	4	3	2	1	1	-	-	8	8	5	3	3	2	-	-
EJBX 4	5	4	3	2	2	1	-	-	6	5	3	3	2	2	-	-
EJBX 4A	6	5	4	4	3	2	-	-	8	6	5	5	4	2	-	-
EJBX 5	5	4	2	2	2	-	-	-	9	7	4	3	3	-	-	-
EJBX 6	5	5	3	2	2	1	-	-	9	9	5	4	3	3	-	-
EJBX 6A	8	8	5	3	2	2	1	1	14	14	8	5	5	3	2	2
EJBX 8	10	8	6	5	4	2	1	1	12	12	10	7	5	3	2	2
EJBX 8A	11	11	6	5	5	2	2	1	15	14	10	8	7	3	3	2
EJBX 8B	12	12	9	8	6	3	2	1	17	15	14	11	8	5	3	2
EJBX 9	5	5	4	4	3	2	-	-	9	9	6	5	4	3	-	-
EJBX 9A	8	6	6	4	4	2	1	1	12	12	9	7	5	3	3	2
EJBX 9B	12	10	9	5	5	2	2	1	22	18	12	11	8	6	4	3
EJBX 10	10	8	7	5	4	3	2	-	12	12	9	6	5	4	3	-
EJBX 10A	10	10	8	6	5	3	2	2	14	14	10	8	7	4	3	2
EJBX 10B	12	12	11	8	6	4	3	2	18	18	15	11	8	5	4	3
EJBX 11	12	12	9	5	4	3	3	-	16	16	13	6	5	4	3	-
EJBX 11A	14	14	10	7	5	4	3	2	20	20	13	9	7	5	3	3
EJBX 11B	18	18	14	8	8	5	3	2	21	21	17	10	10	7	4	3
EJBX 12	11	11	8	5	4	2	2	1	20	20	12	11	7	4	4	3
EJBX 13	11	11	8	6	5	3	2	2	23	23	14	11	9	5	4	3
EJBX 13A	15	12	9	8	8	4	2	2	24	24	17	11	11	6	5	3
EJBX 14	10	10	8	5	4	3	2	-	18	18	15	8	7	5	4	-
EJBX 14A	15	14	11	6	5	3	2	2	27	26	20	12	11	6	4	3
EJBX 15	17	17	10	8	7	4	3	2	23	23	14	10	10	5	4	3
EJBX 15A	18	18	11	8	8	5	3	3	24	24	17	12	12	7	5	3
EJBX 15B	10	10	6	5	4	-	-	-	14	14	10	7	6	-	-	-
EJBX 16	5	5	3	2	2	1	-	-	17	17	9	6	6	4	-	-
EJBX 17	21	21	12	10	10	5	4	3	27	27	20	13	13	7	5	4
EJBX 17A	24	24	18	12	11	8	6	5	32	32	21	18	17	14	8	5
EJBX 17Q	30	22	18	17	1	8	7	5	30	22	18	17	14	8	7	5
EJBX 18	14	12	12	10	8	5	3	3	20	20	16	15	13	7	5	3
EJBX 18A	21	21	17	14	9	7	5	3	30	30	23	20	17	10	6	5
EJBX 18B	24	24	18	15	15	11	6	5	36	36	30	26	18	14	8	8
EJBX 19	10	10	8	7	5	3	2	2	20	20	16	13	11	6	5	4
EJBX 19A	15	15	11	8	6	5	3	2	27	27	23	20	14	9	7	5
EJBX 20	40	34	24	10	10	5	3	2	60	50	36	16	12	6	4	4
EJBX 20A	67	54	40	12	10	6	4	4	102	78	60	20	12	8	8	8

Metric ISO pitch 1.5 mm, NPT ANSI ASME B1.20.1

For types of cable glands and combination of different gland sizes please contact Pepperl+Fuchs.

## Cable Entries EJBX - maximum quantity per size

Type	Cable gland quantity - cover		
	M12 1/4"	M20 1/2"	M32 1"
EJBX 0	4	3	3
EJBX 1	6	6	6
EJBX 2	9	9	5
EJBX 2A	9	9	5
EJBX 3	8	8	6
EJBX 3A	8	8	6
EJBX 4	20	16	9
EJBX 4A	20	16	9
EJBX 5	12	12	8
EJBX 6	15	15	8
EJBX 6A	15	15	8
EJBX 8	20	20	12
EJBX 8A	20	20	12
EJBX 8B	20	20	12
EJBX 9	18	18	10
EJBX 9A	18	18	10
EJBX 9B	18	18	10
EJBX 10	20	20	16
EJBX 10A	20	20	16
EJBX 10B	20	20	16
EJBX 11	28	28	24
EJBX 11A	28	28	24
EJBX 11B	28	28	24
EJBX 12	20	20	16
EJBX 13	21	21	18
EJBX 13A	21	21	18
EJBX 14	32	32	20
EJBX 14A	32	32	20
EJBX 15	40	40	30
EJBX 15A	40	40	30
EJBX 15B	40	40	30
EJBX 16	18	18	14
EJBX 17	35	35	24
EJBX 17A	35	35	24
EJBX 17Q	42	42	28
EJBX 18	45	45	32
EJBX 18A	45	45	32
EJBX 18B	45	45	32
EJBX 19	35	35	28
EJBX 19A	35	35	28
EJBX 20	60	60	60
EJBX 20A	60	60	60

Metric ISO pitch 1.5 mm, NPT ANSI ASME B1.20.1

For types of cable glands and combination of different gland sizes please contact Pepperl+Fuchs.

Refer to "General Notes Relating to Pepperl+Fuchs Product Information".

Pepperl+Fuchs Group  
www.pepperl-fuchs.comUSA: +1 330 486 0002  
pa-info@us.pepperl-fuchs.comGermany: +49 621 776 2222  
pa-info@de.pepperl-fuchs.comSingapore: +65 6779 9091  
pa-info@sg.pepperl-fuchs.com

## EJBXW Rectangular Windows

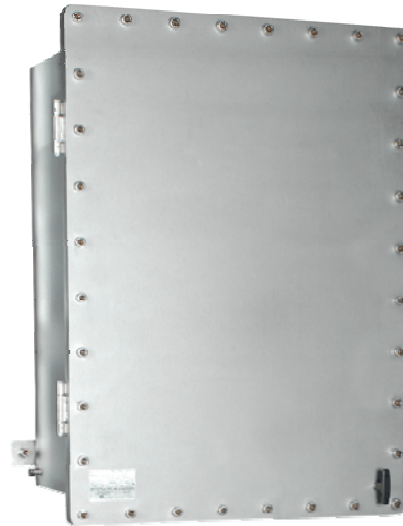
Type	W0 75x75 mm		W1 105x75 mm		W2A 180x40 mm		W7 120x108 mm	
	H	V	H	V	H	V	H	V
EJBX 0	-	-	-	-	-	-	-	-
EJBX 1	-	-	-	-	-	-	-	-
EJBX 2	x	x	-	-	-	-	-	-
EJBX 2A	x	x	-	-	-	-	-	-
EJBX 3	-	-	-	-	-	-	-	-
EJBX 3A	-	-	-	-	-	-	-	-
EJBX 4	x	x	-	x	-	-	-	-
EJBX 4A	x	x	-	x	-	-	-	-
EJBX 5	-	-	-	-	-	-	-	-
EJBX 6	x	x	-	x	-	-	-	-
EJBX 6A	x	x	-	x	-	-	-	-
EJBX 8	x	x	x	x	-	-	x	x
EJBX 8A	x	x	x	x	-	-	x	x
EJBX 8B	x	x	x	x	-	-	x	x
EJBX 9	x	x	-	x	-	-	-	-
EJBX 9A	x	x	-	x	-	-	-	-
EJBX 9B	x	x	-	x	-	-	-	-
EJBX 10	x	x	x	x	-	x	x	x
EJBX 10A	x	x	x	x	-	x	x	x
EJBX 10B	x	x	x	x	-	x	x	x
EJBX 11	x	x	x	x	x	x	x	x
EJBX 11A	x	x	x	x	x	x	x	x
EJBX 11B	x	x	x	x	x	x	x	x
EJBX 12	x	x	x	x	-	-	-	x
EJBX 13	x	x	x	x	-	-	x	x
EJBX 13A	x	x	x	x	-	-	x	x
EJBX 14	x	x	x	x	-	x	x	x
EJBX 14A	x	x	x	x	-	x	x	x
EJBX 15	x	x	x	x	x	x	x	x
EJBX 15A	x	x	x	x	x	x	x	x
EJBX 15B	x	x	x	x	x	x	x	x
EJBX 16	-	-	-	-	-	-	-	-
EJBX 17	x	x	x	x	x	x	x	x
EJBX 17A	x	x	x	x	x	x	x	x
EJBX 17Q	x	x	x	x	x	x	x	x
EJBX 18	x	x	x	x	x	x	x	x
EJBX 18A	x	x	x	x	x	x	x	x
EJBX 18B	x	x	x	x	x	x	x	x
EJBX 19	x	x	x	x	x	x	x	x
EJBX 19A	x	x	x	x	x	x	x	x
EJBX 20 (4)	x	x	x	x	x	x	x	x
EJBX 20A (4)	x	x	x	x	x	x	x	x

All enclosures available in IP67 with O-ring.

H = Horizontal window, V = Vertical window

(4) Gas group IIB

Solution Examples



Release date 2015-01-26 T164865

Refer to "General Notes Relating to Pepperl+Fuchs Product Information".

Pepperl+Fuchs Group  
www.pepperl-fuchs.com

USA: +1 330 486 0002  
pa-info@us.pepperl-fuchs.com

Germany: +49 621 776 2222  
pa-info@de.pepperl-fuchs.com

Singapore: +65 6779 9091  
pa-info@sg.pepperl-fuchs.com