



AQM63.0

1193P09



ALT-AB200

1193P08



ALT-C001

1193P07



AQM63.2/3

1193P11



FK-TZ1

1193P11

Accessories and Spare Parts

For thermostats RAK-..., RAZ-... and sensors

ALT-A...
ALT-C...
AQM63.2/3
FK-TZ1

- Perforated protection pocket for air duct mounting
- Mounting kit
- Adjustable mounting flange
- Plastic Capillary clamps
- Metal Capillary clamps

Type summary

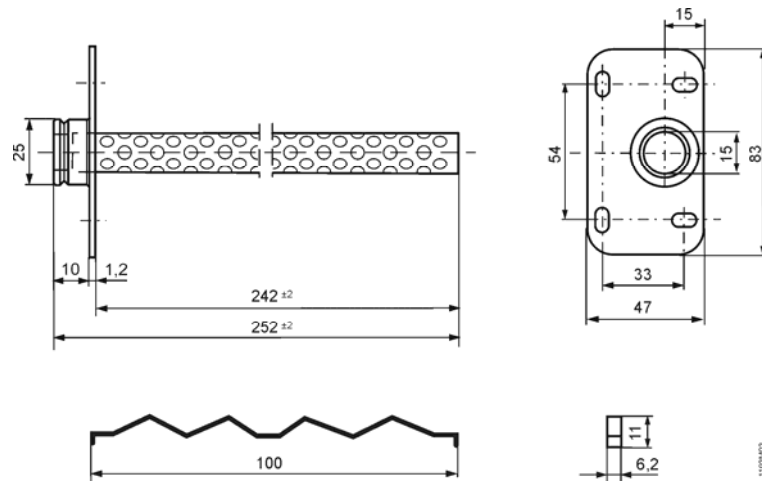
| <i>Type reference</i> | <i>Name</i> | <i>Use</i> | <i>Material</i> | <i>Immersion length</i> [mm] | <i>Inner dia. of pocket</i> [mm] | <i>Weight</i> [kg] |
|-----------------------|---|-------------------|-------------------|---------------------------------|-------------------------------------|-----------------------|
| ALT-AB200 | Protection pocket, perforated, with coupling spring | Air duct mounting | Steel, galvanized | 240 | 15 | 0.125 |

| <i>Type reference</i> | <i>Name</i> | <i>Contents</i> | <i>Use</i> | <i>Material</i> | <i>Weight</i> [kg] |
|-----------------------|----------------------|-------------------------------|--|-------------------|-----------------------|
| ALT-C001 | Mounting kit | 1 spring 100 mm | For fixing the sensing element inside the perforated protection pocket (to prevent noise caused by vibrations) | Steel | 0.034 |
| | | 1 clamping band 330 mm | For fitting the RAK to pipes | Steel, galvanized | |
| | | 4 clamps | Wall mounting: For securing the sensing element inside the protection pocket | Steel | |
| AQM63.0 | Mounting accessories | 1 mounting flange, adjustable | Suited for air ducts with up to 70 mm insulation | PA66GF35 | 0.038 |

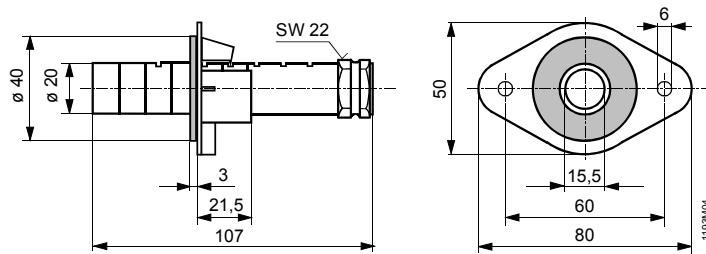
| <i>Type reference</i> | <i>Name</i> | <i>Measure</i> [mm] | <i>Use</i> | <i>Material</i> | <i>Weight</i> [kg] |
|-----------------------|---|---------------------------------|--|----------------------------------|-----------------------|
| AQM63.3 | Capillary clamps made of plastic (1 Set includes 6 pcs) | L = 50 mm, H = 62 mm, D = 25 mm | For fixing capillary tube to the heat coil. | Plastic (Glass fiber reinforced) | 0.05 |
| AQM63.2 | Capillary clamps made of plastic (1 Set includes 3 pcs) incl. 3 metal distance holder | L = 50 mm, H = 62 mm, D = 25 mm | For fixing capillary tube to the heat coil. Additional are 3 pieces of metal distance holder included. | Plastic (Glass fiber reinforced) | 0.05 |
| FK-TZ1 | Capillary clamps made of galvanized steel (1 set includes 6 pcs) | L = 50 mm, H = 37 mm, D = 6 mm | For fixing capillary tube to the heat coil. | Steel galvanized | 0.06 |

Dimensions (in mm)

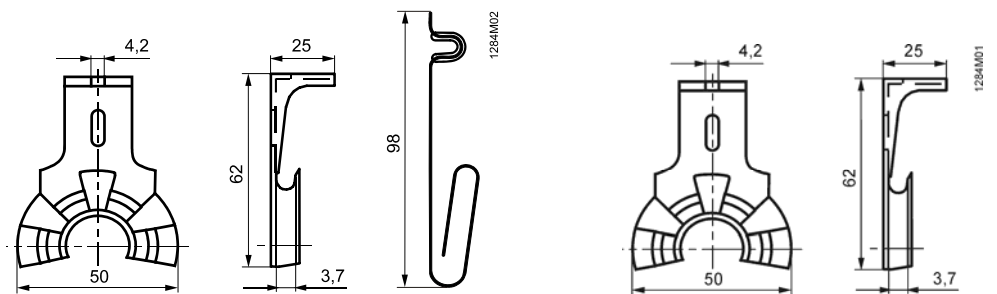
ALT-AB200



AQM63.0



AQM63.2 / AQM63.3



FK-TZ1

