



## Room Temperature Sensor

## QAA64

---

**Vandalproof though concealed mounting**

### Use

---

Acquisition of room temperature in spaces where the detector needs to be protected against damage or destruction by people.  
Such spaces are public buildings like schools, administrative buildings, multi-purpose halls, etc.

### Ordering

---

Indicate device name and type designation on order:  
Room temperature sensor **QAA64**

### Equipment combinations

---

All systems and devices that are capable of acquiring and handling the sensor's analog passive LG-Ni 1000 output signal.

### Function

---

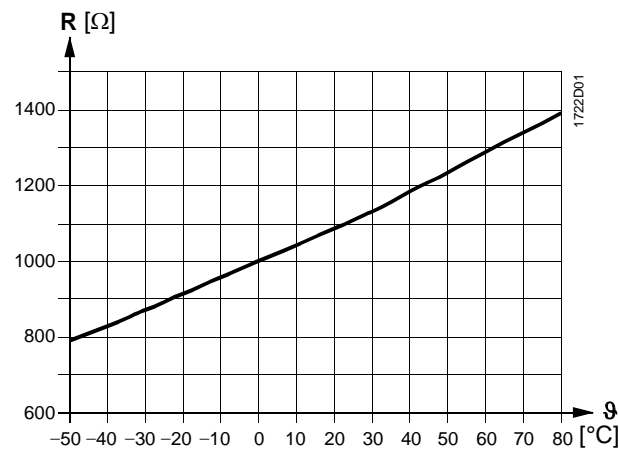
The sensor acquires the air temperature via its sensing element whose resistance changes as a function of the temperature.

The signal is delivered to a suitable controller for further handling.

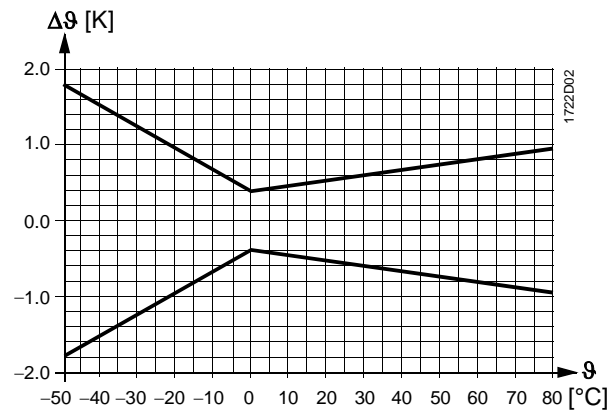
## Sensing element

Characteristic:

LG-Ni 1000



Accuracy:



Legend

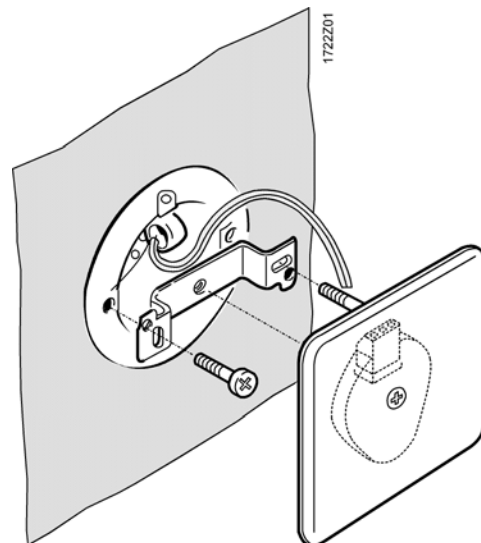
R Resistance value in Ohm  
 $\vartheta$  Temperature in degrees Celsius  
 $\Delta\vartheta$  Temperature differential in Kelvin

## Mechanical design

The QAA64 has been designed specifically for installation on recessed conduit boxes having a fixing hole circle dia. of 60 or 69 mm.

The unit consists of a plastic cover and a fixing bracket made of metal. The rear of the cover carries the connecting terminal strip and a measuring element LG-Ni 1000.

The fixing bracket is fitted inside the recessed conduit box. A captive screw is used to secure the cover to the bracket.



## Engineering notes

---

For the permissible lengths of lines and measured value errors, refer to "Basic System Data" of the respective control system.

If, for some reason, the detector cannot be mounted in a location where it can correctly acquire the room temperature, a resistor can be mounted to correct or adjust the measurement. For this purpose, the detector has an auxiliary terminal (for details, contact SBT service personnel).

## Fitting and installation notes

---

|                           |   |
|---------------------------|---|
| Location                  | On an inner wall of the space to be heated, if possible on the wall opposite the heating unit. Not in recessed or shelves, not above or near heat sources.<br>The end of the conduit at the detector must be sealed to prevent false measurements due to draughts through the conduit.<br>The connecting wires are interchangeable. |
| Installation instructions | Installation instructions are supplied with the unit.   |

## Disposal

---



The devices are considered electronics devices for disposal in terms of European Directive 2012/19/EU and may not be disposed of as domestic waste.

- Dispose of the device via the channels provided for this purpose.
- Comply with all local and currently applicable laws and regulations.

## Technical data

---

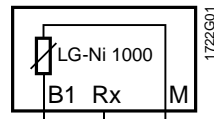
|                          |                                |  |
|--------------------------|--------------------------------|--|
| Functional data          | Measuring range                | 0...50 °C  |
|                          | Sensing element                | LG-Ni 1000   |
|                          | Time constant                  | 6.5 min (depending on air movement and thermal coupling to the wall) |
|                          | Measuring accuracy             | refer to "Function"  |
|                          | Type of measurement and output | passive  |
| Degree of protection     | Protection class               | III to EN 60730-1  |
|                          | Protection degree of housing   | IP40 according to EN 60529   |
| Electrical connections   | Connecting terminals for       | 2 x 1.5 mm <sup>2</sup> or 1 x 2.5 mm <sup>2</sup>                   |
|                          | Perm. cable lengths            | refer to "Engineering notes"   |
| Directives and Standards | Product standard               | EN 60730-1   |
|                          |                                | Automatic electrical controls for household and similar use          |
| Environmental conditions | Operation                      | IEC 721-3-3  |
|                          | Climatic conditions            | class 3K5  |
|                          | Temperature                    | 0...50 °C  |
|                          | Humidity                       | 0...95 % r. h. (noncondensing)                                       |
|                          | Mechanical conditions          | class 3M2  |
|                          | Transport                      | IEC 721-3-2  |
|                          | Climatic conditions            | class 2K3  |
|                          | Temperature                    | -25...+65 °C   |
|                          | Humidity                       | <95 % r. h.  |
|                          | Mechanical conditions          | class 2M2  |

Environmental compatibility The product environmental declaration CE1E1701<sup>1)</sup> contains data on environmentally compatible product design and assessments (RoHS compliance, materials composition, packaging, environmental benefit, disposal).

|                      |                            |   |
|----------------------|----------------------------|---|
| Materials and colors | Cover                      | insulating plastic, RAL 9010 (pure white) |
|                      | Fixing bracket             | Steel, nickel-plated                      |
|                      | Packaging                  | grey cardboard                            |
| Weight               | Sensor (complete assembly) | silicone-free                             |
|                      | Incl. packaging            | approx. 0.06 kg                           |

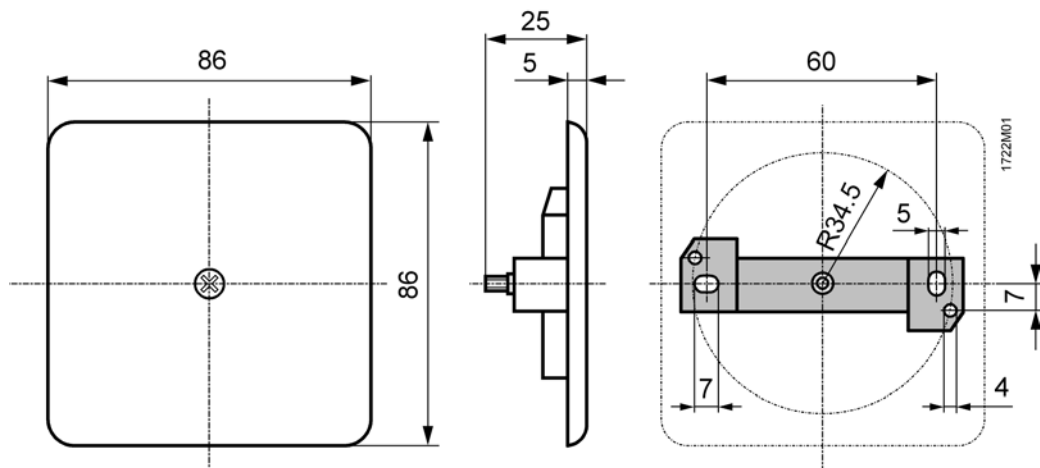
\*) The documents can be downloaded from <http://siemens.com/bt/download>.

### Internal diagram



- B1 Room temperature measuring signal
- M Measuring neutral
- Rx Auxiliary terminal

### Dimensions



Dimensions in mm