



## FDAI91, FDAI92, FDAI93

### Alarm indicators

AlgoRex  
Cerberus® PRO  
Sinteso™



- 
- **FDAI91, FDAI92**
    - Modern flat design
    - Non-screw terminals
  - **FDAI93**
    - Simple plug-in, expanding-spring socket

## Characteristics

---

- Alarm indicators are connected to automatic fire detectors in order to indicate quickly the source of an alarm signal from detectors which are not easily accessible or visible.
- The alarm indicators contain an indicator lamp unit with one respectively two LEDs. They light up as soon as the connected fire detector gives an alarm.

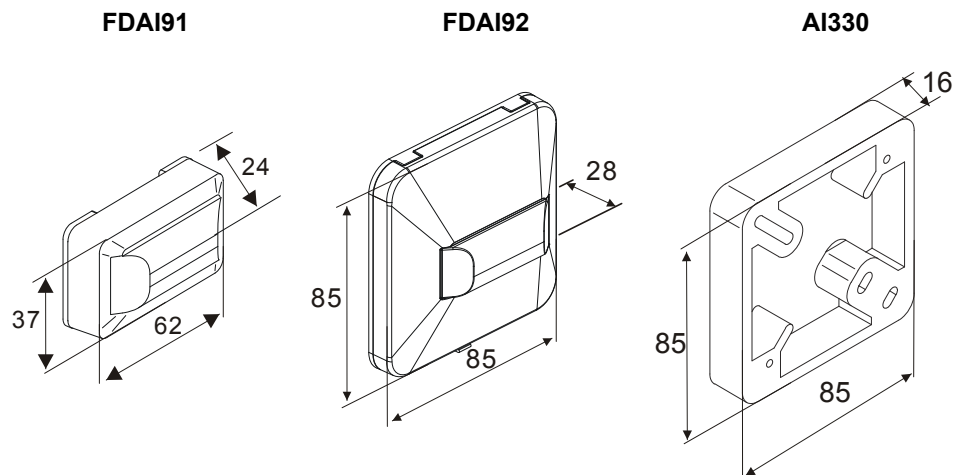
## Alarm indicators FDAI91, FDAI92

---

- Alarm indicators are mounted with two screws either directly to a door frame (FDAI91), or on a wall (FDAI92).
- For the following applications the FDAI92 can be completed with AI330 adapter frame:
  - for surface laid conduit or ducts
  - to increase the loop space
  - as an adapter for different makes of box

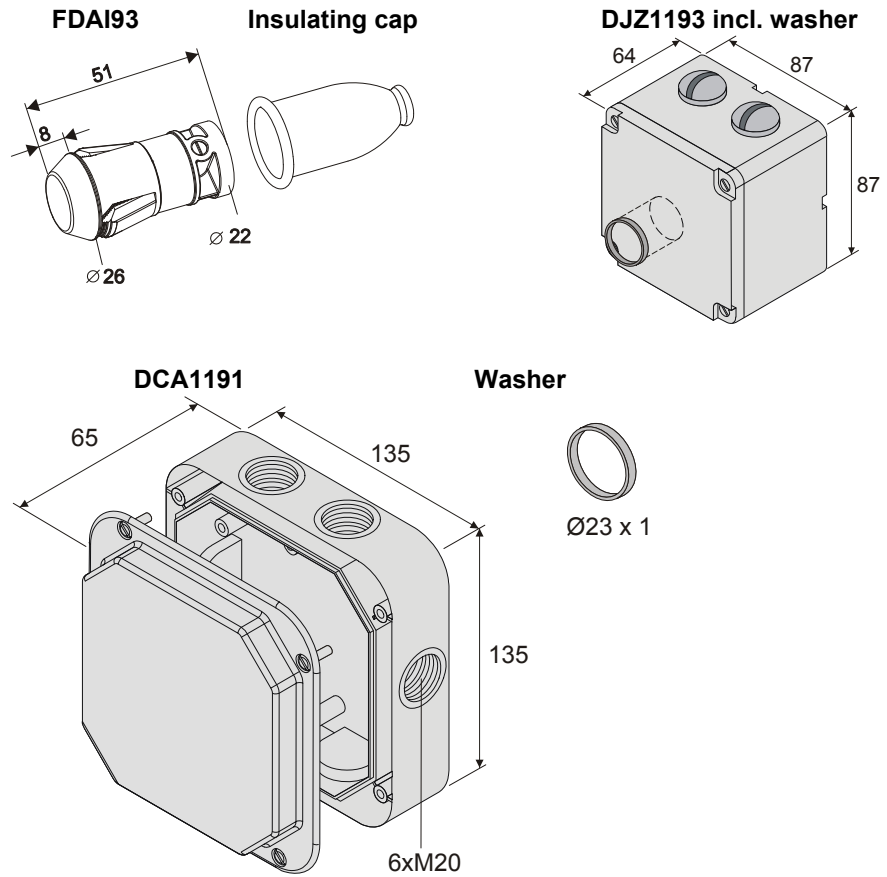
## Dimensions

---



## Alarm indicator FDAI93

- Made of transparent plastic alarm indicator is suitable for installation in door frames, switching panels, ceiling voids or special housings. The 22.5 mm Ø mounting hole is drilled by the system owner. The holder must be fitted with an insulating cap for safety.
- For installation in humid rooms the DJZ1193 and DCA1191 housings as well as a washer are available.
- The housing DJZ1193 has a hole for the mounting of one alarm indicator.
- Up to 4 alarm indicators can be built into the housing DCA1191. The 22.5 mm Ø mounting holes are drilled by the system owner.



## Technical data

	FDAI91, FDAI92	FDAI93
Operating voltage	5... 8 VDC	6... 8 VDC
Operating current (continuous)	max. 35 mA	max. 35 mA
Connection terminals	max. 1.5 mm <sup>2</sup>	max. 1.5 mm <sup>2</sup>
Ambient temperature	-25... +80 °C	-25... +80 °C
Humidity	≤95 % rel.	≤95 % rel.
Protection category EN60529 / IEC529	IP40	
– with DJZ1193	–	IP65
– with DCA1191	–	IP56
Color	white, ~RAL 9010	transparent plastic
– housing DJZ1193		white, ~RAL 9010
– housing DCA1191		white, ~RAL 9010

## Details for ordering

	Type	Part no	Designation	Weight
Accessory	FDAI91	S54370-F9-A1	Alarm indicator, door frame version	0.020 kg
	FDAI92	S54370-F3-A1	Alarm indicator, surface version	0.050 kg
	AI330	BPZ:3169430001	Adapter frame for FDAI92	0.020 kg
Accessories	FDAI93	S54370-F5-A1	Alarm indicator incl. insulating cap, flush version	0.010 kg
	DJZ1193	BPZ:5302950001	Indicator housing, incl. washer	0.115 kg
	DCA1191	BPZ:4588560001	Housing with cover	0.265 kg
Spare part	–	BPZ:2473130001	Washer	0.001 kg
	–	BPZ:3048160001	Insulating cap	0.005 kg