

OpenAir™

Accessories and Spare Parts for Air Damper Actuators

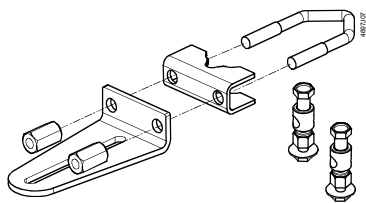
ASC... ASK...

Overview, functions and applications for GMA and GEB

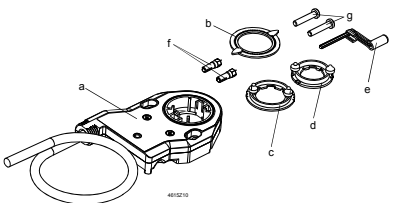
This overview provides a list of the accessories to functionally enhance the GMA and GEB air damper actuators as well as a list of the spare parts for the actuators.

Application examples and important dimensions are contained in the respective mounting installations (see document no.).

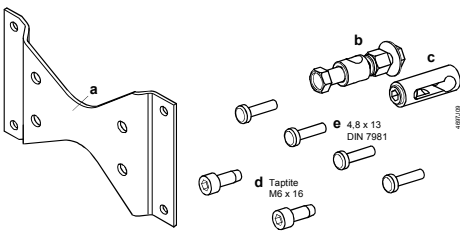
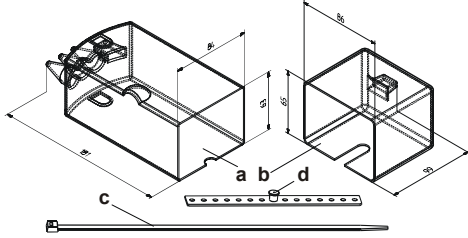
Accessories for rotary actuators

Type Document no. (Classific. no.)	Designation / Delivery	Application	
		Actuator	Function
ASK71.9 7431902360 (M4614.1)	Universal lever 	GMA...1 GEB...1	<ul style="list-style-type: none"> To convert linear movement to rotary movement, for mounting on an adjacent acuator shaft Can be used in connection with ASK71.11, ASK71.13 and ASK71.14 Ball joints for push rod of 8 mm diameter

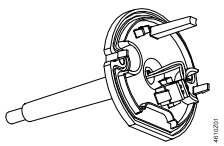
Type Document no. (Classific. no.)	Designation / Delivery	Application	
		Actuator	Function
ASK71.11 7431902370 (M4614.2)	Rotary/linear set for duct and frame mounting 	GMA...1 GEB...1	<ul style="list-style-type: none"> To convert rotary movement to linear movement for duct or frame mounting Ball joints for push rod of 8 mm diameter
ASK71.13 7431902380 (M4614.3)	Rotary/linear set with lever 		<ul style="list-style-type: none"> To convert rotary movement to linear movement. Suited for <ul style="list-style-type: none"> Direct duct or wall mounting of the actuator via rear mounting Damper mounting for actuator with additional rotary/linear function Ball joints for push rod of 8 mm diameter
ASK71.14 7431902390 (M4614.4)	Rotary/linear set with lever and mounting plate 		<ul style="list-style-type: none"> To convert rotary movement to linear movement Mounting the actuator on the mounting plate allows for actuator-side duct or frame mounting Ball joints for push rod of 8 mm diameter
ASK73.3 743190241 0 (M4614.6)	Bracket for Powerpack 	GMA12..1 GMA32..1 GMA13..1 GEB13..1 GEB33..1	<ul style="list-style-type: none"> Locking element for two rotary actuators on the same shaft (tandem-mounted).
ASK74.7	Shaft extension 	GMA...1 GEB...1	<ul style="list-style-type: none"> For extending the drive shaft by up to approx. 240 mm. For drive shafts of 8...25.6 mm dia. or 6...18 mm square Minimum shaft length 40 mm Can not be used in connection with ASK73.3
ASK75.3 7431902400 (M4614.5)	Weather shield for rotary actuator 		<ul style="list-style-type: none"> Provides additional protection of the rotary actuator against dust and splashwater in the case of outdoor application. UV-resistant
ASK75.6 7431906630 (M4614.8)	Weather shield for rotary actuator 		<ul style="list-style-type: none"> Provides additional protection to rotary actuator and when mounting in any given position

ASC77.1E ASC77.2E 7431904130 (M4615)	External auxiliary switches 	GMA...1 GEB...1	<ul style="list-style-type: none"> • ASC77.1E (1 switch) • ASC77.2E (2 switches)
---	--	--------------------	--

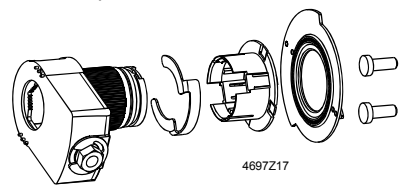
Accessories for linear actuators

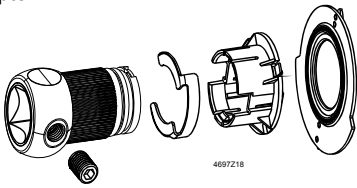

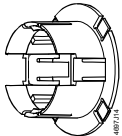
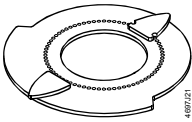
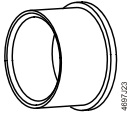
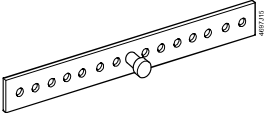
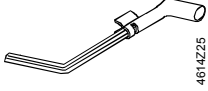
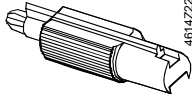

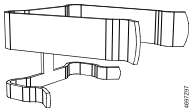
Type Document no. (Classific. no.)	Designation / Delivery	Application	
		Actuator	Function
ASK72.3 7431902420 (M4653.1)	Linear/rotary set with mounting plate 	GEB...2	<ul style="list-style-type: none"> • To convert linear movement into rotary movement • Mounting the actuator on the mounting plate allows for actuator-side frame or duct mounting • Linear limitation by adjusting the clamp on the push rod • Ball joints for push rod of 8 mm diameter
ASK75.6 7431906630 (M4614.8)	Weather shield for linear actuator 		<ul style="list-style-type: none"> • Provides additional protection to linear actuator and when mounting in any given position

Actuators for fire and smoke protection dampers

Type Document no. (Classific. no.)	Designation / Delivery	Application	
		Actuator	Function
ASK79.4 ASK79.5 7431908350 (M4610)	Duct tip for temperature monitoring unit 	GNA..	<ul style="list-style-type: none"> • ASK79.4 (72 °C) • ASK79.5 (95 °C)

Spare parts for rotary actuators

Spare part no.	Designation / Delivery	Application	
		Actuator	Function
7471800080	Standard shaft adapter 	GMA...1 GEB...1	This shaft adapter is <ul style="list-style-type: none"> • self-centering • suitable for shafts of 6.4...20.5 mm diameter

Spare part no.	Designation / Delivery	Application	
		Actuator	Function
7471800190	Shaft adapter 	GMA...1 GEB...1	15 mm square
7471800200			12 mm square
7471800210			10 mm square
7471800220			8 mm square
7416500010	Axial bracket 		Axial bracket to secure the shaft adapter in the actuator.
7448400090	Plastic adapter for position indicator 		The plastic adapter is needed for short air damper shafts (< 20 mm). It is inserted into the shaft adapter and carries the position indicator.
7430400000	Position indicator 		The position indicator is clamped on the shaft adapter or the plastic adapter and serves to indicate the rotary angle of the air damper.
7428400420	Plug indicator GS 		Plug indicator is used to fix position indicator (7430400000) on to plastic adapter (7448400090).
7419000130	Mounting bracket 		The mounting bracket is used to prevent the actuator from twisting and is secured with 2 steel screws (4.8 x 13 mm, DIN 7981).
7410900170	Turnkey for manual adjustment 	GMA...1	Manual adjustment of the shaft adapter.
7410900130	Adjustment tool 	GMA...4.1 GMA...6.1 GEB...4.1 GEB...6.1 GEB...4.2 GEB...6.2	Adjustment tool for auxiliary switches, potentiometer and locking shaft.
418023780	Screw taptite M6 x 16 mm 	GMA...1 GEB...1	Self-tapping screw to fasten the actuator on the mounting, duct or wall plate.
7421700030	Fork clamp 		The fork clamp is used to prevent the actuator from twisting.