



## **SOL-LX-W, SOL-LX-C, RoLP-LX, ROLP**

### **Alarm sounders, beacons and sounder beacons**

- 
- For fire detection and extinguishing systems
  - Powerful alarm - recognizable as a danger signal even against a high background noise level
  - Various selectable tones and volume levels
  - Selectable beacon ranges and flash frequencies
  - For internal and external applications
  - Low current consumption
  - EN 54-3 and EN 54-23 approval

**RoLP/R/S & RoLP/W/S**



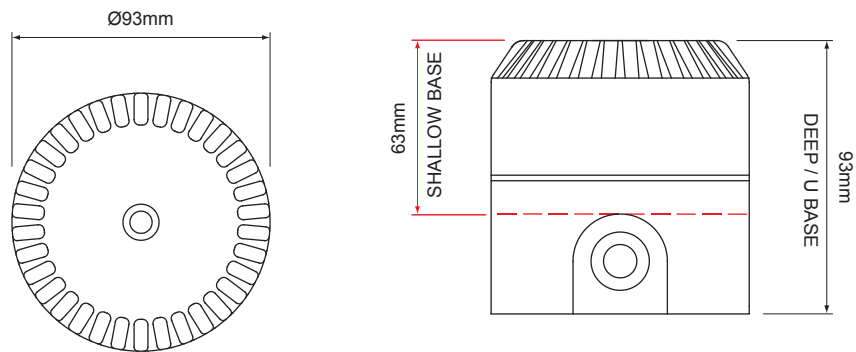
**Application**

- For inside and outdoor applications
- For general signaling in fire use

**Design**

- White or red ABS plastic housing
- Adapter base for cable entry with screwed cable gland
- 32 different tones (user selectable)
- Automatic synchronization
- Improved tone clarity, reducing confusion
- Second input for secondary tone in two stage alarm systems
- Adjustable sound intensity

**Dimensions**



**SOL-LX-W-RW & SOL-LX-W-WW (wall mounting)**



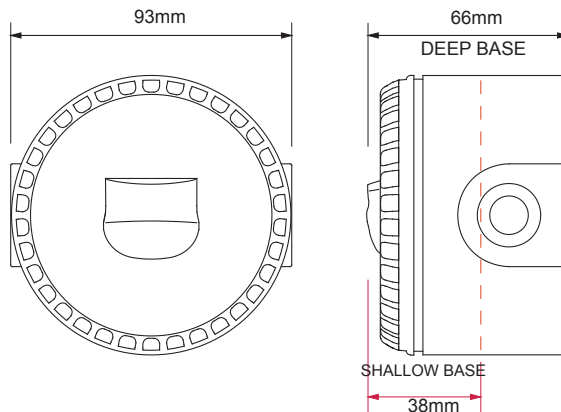
**Application**

- For use where current consumption is a key consideration
- Ideal for bedrooms, bathrooms and toilets

**Design**

- White or red ABS plastic housing for surface mounting
- Red or white flash color
- Ultra low current consumption
- Up to 7.5 m room coverage
- Selectable flash rate from 0.5 Hz to 1 Hz to reduce the current consumption
- Selectable range reduction to 2.5 m reduces the power consumption up to 50%

**Dimensions**



## SOL-LX-C-WW (ceiling mounting)



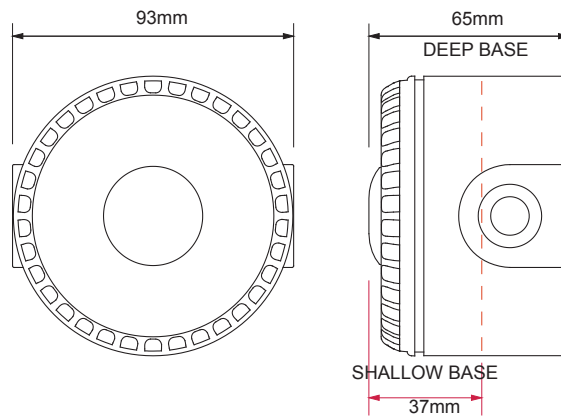
### Application

- For use where current consumption is a key consideration
- Ideal for bedrooms, bathrooms and toilets

### Design

- White or red ABS plastic housing for surface mounting
- Red or white flash color
- Ultra low current consumption
- Up to 7.5 m diameter coverage
- Selectable flash rate from 0.5 Hz to 1 Hz to reduce the current consumption
- Selectable range reduction to 3 m reduces the power consumption up to 50 %

## Dimensions



## RoLP-LX-WW & RoLP-LX-RW (wall mounting)



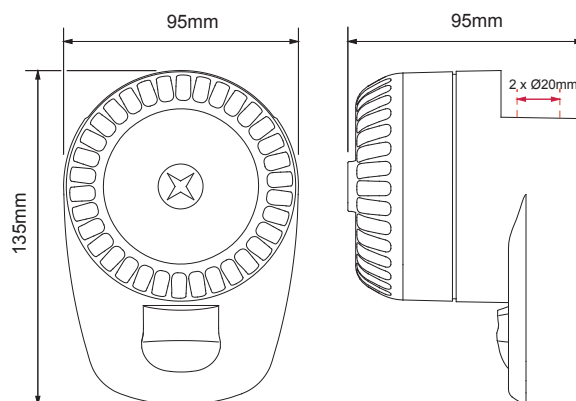
### Application

- For use where current consumption is a key consideration
- Ideal for bedrooms, bathrooms and toilets

### Design

- White or red ABS plastic housing for surface mounting
- Red or white flash color
- Ultra low current consumption
- Up to 7.5 m room coverage volume (switchable to 2.5 m)
- Switch flash rate to 0.5 Hz to reduce the current consumption
- Reduces power consumption by up to 50 %

## Dimensions



## DAB-R & DAB-W

---



### Application

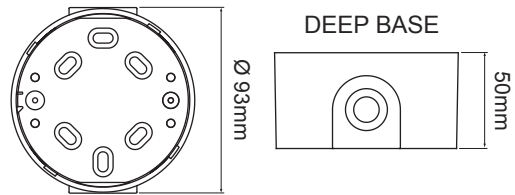
- Deep base for surface wiring of all types of RoLP sounders and SOL beacons

### Design

- White or red ABS plastic.

## Dimensions

---



## Technical data

Type	RoLP/R/S / RoLP/W/S	RoLP-LX-RW / RoLP-LX-WW / RoLP-LX-RR / RoLP-LX-WR	SOL-LX-C-WW / SOL-LX-C-WR	SOL-LX-W-RW / SOL-LX-W-WW / SOL-LX-W-RR / SOL-LX-W-WR
Mounting type	Wall / ceiling	Wall	Ceiling	Wall
Operating voltage	DC 18...28 V	DC 18...28 V	DC 9...60 V	DC 9...60 V
Current	15 mA	22...37 mA	10...25 mA	10...25 mA
Sound output	102 db(A)	102 db(A)	-	-
Coverage	-	7.5 m	7.5 m	7.5 m
Mounting height	-	2.4 m (max)	3 m (max)	2.4 m (max.)
Coverage volume code	-	w-2.4-7.5	C-3-7.5	w-2.4-7.5
Coverage volume	-	135 m <sup>3</sup>	132 m <sup>3</sup>	135 m <sup>3</sup>
Flash rate	-	1 Hz	1 Hz	1 Hz
Operating temperature	-25°C...+70°C	-25°C...+70°C	-25°C...+70°C	-25°C...+70°C
Protection against reversed polarity	yes	yes	yes	yes
Protection category	IP54 (IP65 with DAB)	IP65	IP33C (IP65 with DAB)	IP33C (IP65 with DAB)
Housing	ABS white or red	ABS white or red	ABS white or red	ABS white or red
Flash color	-	white / red	white / red	white / red

## Details for ordering

Type	Part no	Designation	Weight
DAB-R	S54370-N27-A1	Deep adaptor base - red	0.200 kg
DAB-W	S54370-N27-A2	Deep adaptor base - white	0.200 kg
RoLP-LX-RW	S54370-N28-A1	Sounder beacon with red housing and white flash color	0.250 kg
RoLP-LX-WW	S54370-N28-A2	Sounder beacon with white housing and white flash color	0.250 kg
RoLP-LX-RR	S54370-N28-A4	Sounder beacon with red housing and red flash color	0.250 kg
RoLP-LX-WR	S54370-N28-A3	Sounder beacon with white housing and red flash color	0.250 kg
SOL-LX-C-WR	S54370-N29-A2	Beacon with white housing and red flash color for ceiling mounting	0.100 kg
SOL-LX-W-RR	S54370-N30-A3	Beacon with red housing and red flash color for wall mounting	0.100 kg
SOL-LX-W-WR	S54370-N30-A4	Beacon with white housing and red flash color for wall mounting	0.100 kg
SOL-LX-C-WW	S54370-N29-A1	Beacon with white housing and white flash light for ceiling mounting	0.100 kg
SOL-LX-W-RW	S54370-N30-A1	Beacon with red housing and white flash color for wall mounting	0.100 kg
SOL-LX-W-WW	S54370-N30-A2	Beacon with white housing and white flash color for wall mounting	0.100 kg
ROLP/R/S	GBI:1082507	Roshni Sounder red	0.205 kg
ROLP/W/S	GBI:1082508	Roshni Sounder white	0.205 kg

Siemens Switzerland Ltd  
Infrastructure & Cities Sector  
Building Technologies Division  
International Headquarters  
CPS Fire Safety  
Gubelstrasse 22  
CH-6301 Zug  
Tel. +41 41 724 24 24  
[www.siemens.com/buildingtechnologies](http://www.siemens.com/buildingtechnologies)

---

Document no. **A6V10423405\_e\_en\_--**  
Edition 06.2014

© 2014 Copyright by  
Siemens Switzerland Ltd  
Data and design subject to change without notice.  
Supply subject to availability.