



EN Operating instructions..... pages 1 to 6
Translation of the original operating instructions

FR Vous trouverez la version actuelle du mode d'emploi dans votre langue nationale officielle sur l'Internet, www.schmersal.net.

ES Encontrará el manual de instrucciones actual en su idioma oficial de la UE en nuestra página de Internet www.schmersal.net.

NL U vindt de huidige versie van de gebruikshandleiding in uw officiële landstaal op het Internet, www.schmersal.net.

IT Il manuale d'istruzioni aggiornato nella vostra lingua (lingua ufficiale UE) è scaricabile in Internet all'indirizzo www.schmersal.net.

JP EU公用語で書かれた最新の取扱説明書は、インターネット (www.schmersal.net) からダウンロードできます。

Content

1 About this document	
1.1 Function	1
1.2 Target group: authorised qualified personnel	1
1.3 Explanation of the symbols used	1
1.4 Appropriate use	1
1.5 General safety instructions	1
1.6 Warning about misuse	1
1.7 Exclusion of liability	1
2 Product description	
2.1 Ordering code	2
2.2 Special versions	2
2.3 Destination and use	2
2.4 Technical data	2
2.5 Safety classification	3
3 Mounting	
3.1 General mounting instructions	3
3.2 Dimensions	3
4 Electrical connection	
4.1 General information for electrical connection	3
5 Functions and configuration	
5.1 Mode of operation of the safety outputs	3
5.2 Magnet control	4
5.3 Programming the slave address	4
5.4 Configuration of the safety monitor	4
5.5 Status signal "safety release"	4
5.6 Read-out of the parameter port	4
6 Set-up and maintenance	
6.1 Functional testing	5
6.2 Maintenance	5
7 Disassembly and disposal	
7.1 Disassembly	5
7.2 Disposal	5
8 Appendix	
8.1 EC Declaration of conformity	6

1 About this document

1.1 Function

This operating instructions manual provides all the information you need for mounting, set-up and commissioning for the safe operation and disassembly of the safety switchgear. The operating instructions must be available in a legible condition and a complete version within the vicinity of the device.

1.2 Target group: authorised qualified personnel

All operations described in this operating instructions manual must be carried out by trained specialist personnel, authorised by the plant operator only.

Please make sure that you have read and understood these operating instructions and that you know all applicable legislations regarding occupational safety and accident prevention prior to installation and putting the component into operation.

The machine builder must carefully select the harmonised standards to be complied with as well as other technical specifications for the selection, mounting and integration of the components.

1.3 Explanation of the symbols used



Information, hint, note:

This symbol is used for identifying useful additional information.



Caution: Failure to comply with this warning notice could lead to failures or malfunctions.

Warning: Failure to comply with this warning notice could lead to physical injury and/or damage to the machine.

1.4 Appropriate use

The products described in these operating instructions are developed to execute safety-related functions as part of an entire plant or machine. It is the responsibility of the manufacturer of a machine or plant to ensure the proper functionality of the entire machinery or plant.

The safety switchgear must be exclusively used in accordance with the versions listed below or for the applications authorised by the manufacturer. Detailed information regarding the range of applications can be found in the chapter "Product description".

1.5 General safety instructions

The user must observe the safety instructions in this operating instructions manual, the country-specific installation standards as well as all prevailing safety regulations and accident prevention rules.



Further technical information can be found in the Schmersal catalogues or in the online catalogue on the Internet: www.schmersal.net.

The information contained in this operating instructions manual is provided without liability. Subject to technical modifications.

There are no residual risks, provided that the safety instructions as well as the instructions regarding mounting, commissioning, operation and maintenance are observed.

1.6 Warning about misuse



In case of inadequate or improper use or manipulations of the safety switchgear, personal hazards or damage to machinery or plant components cannot be excluded. The relevant requirements of the standard EN 1088 must be observed.

1.7 Exclusion of liability

We shall accept no liability for damages and malfunctions resulting from

defective mounting or failure to comply with this operating instructions manual. The manufacturer shall accept no liability for damages resulting from the use of unauthorised spare parts or accessories.

For safety reasons, invasive work on the device as well as arbitrary repairs, conversions and modifications to the device are strictly forbidden; the manufacturer shall accept no liability for damages resulting from such invasive work, arbitrary repairs, conversions and/or modifications to the device.

2 Product description

2.1 Ordering code

This operating instructions manual applies to the following types:

AZM 170 ① ②-AS③④⑤⑥

No.	Option	Description
①	B	Actuator monitored
	BZ	Combined actuator/solenoid interlock monitoring
②	ST	M12 x 1 connector
③		Latching force 5 N
	R	Latching force 30 N
④		Power to unlock
	A	Power to lock
⑤	P	Magnet supply 24 VDC (Aux.)
⑥	2197	Manual release for power to unlock



Only if the information described in this operating instructions manual are realised correctly, the safety function and therefore the compliance with the Machinery Directive is maintained.

2.2 Special versions

For special versions, which are not listed in the order code below 2.1, these specifications apply accordingly, provided that they correspond to the standard version.

2.3 Destination and use

The AZM 170 AS is designed for use with AS-Interface Safety at Work. The different variants of the component can be used as safety switch with interlocking function or as solenoid interlock for position monitoring and locking of moveable safety guards to EN 1088.

An AS-Interface Safety at Work component functions on the basis of an individual code generator (8 x 4 bit). This safety code is cyclically transmitted over the AS-i network and monitored by the ASM safety monitor. The safety function of the AZM 170 AS consists in safely switching off the code transmission when the safety guard is opened and maintaining the safe switched off condition for as long as the safety guard is open.

The component status can be evaluated through a PLC with AS-Interface master. The safety-related functions are enabled by means of the AS-i safety monitor.



Interlocks with power to lock principle may only be used in special cases after a thorough evaluation of the accident risk, since the safety guard can be opened immediately on failure of the power supply or upon activation of the main switch.

For applications requiring safe interlocking, the AZM 170 BZ ST-AS variant must be chosen. The AZM 170 B-ST-AS is a safety switch with additional locking function.



The user must evaluate and design the safety chain in accordance with the relevant standards and the required safety level.

LED indication

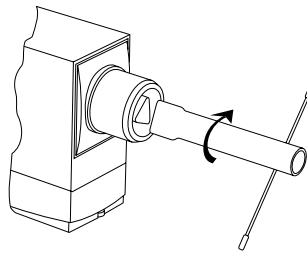
The LED's have the following meaning:

Green LED	AS-Interface supply voltage
Red LED	AS-Interface communication error or slave address = 0
Yellow LED	Status enable

Manual release (ordering suffix -2197 for power to unlock)

A manual release is available as a mounting tool and in the event of a power failure in case the power to unlock principle is used. (M5 triangular key available as accessory.)

If the triangular key is turned 180°, the locking bolt is pulled into the unlocking position. Please ensure that jamming by external influence on the actuator is avoided. The normal locking function is only restored after the triangular key has been returned to its original position. After being put into operation, the manual release must be secured by installing the sealing plug, which is included in delivery.



2.4 Technical data

Standards:	EN 50295, IEC/EN 60947-5-1, EN ISO 13849-1, IEC/EN 61508
Enclosure:	glass-fibre reinforced thermoplastic, self-extinguishing
Actuator and locking bolt:	stainless steel 1.4301
Mechanical life:	> 1 million operations
Holding force F _{max} :	1000 N
Latching force:	30 N, for ordering suffix R
Protection class:	IP 67 to IEC/EN 60529
Insulation protection class:	II
Overvoltage category:	III
Degree of pollution:	3
Termination:	M12 connector, 4 pole
Electrical data AS-Interface:	
Operating voltage range:	26.5...31.6 VDC, through AS-interface, reverse polarity-proof
AS-interface power consumption:	max. 0.1 A
Rated insulation voltage U _{i1} :	32 VDC
Rated impulse withstand voltage U _{imp1} :	800 V
Device fuse rating:	internally short-circuit proof
Specification (V 2.1):	AS-i slave profile: S-7 .B.E IO code: 0 x 7 ID code: 0 x B ID code 1: 0 x F ID code 2: 0 x E
AS-interface inputs:	Databits D0...D3: condition static 0 or dynamic code transmission SaW
AS-interface outputs:	Bit 0: magnet control solenoid interlock; Bit 1 ... Bit 3: no function
Parameter port:	P0: actuator detected P1: solenoid interlock locked P2: - P3: -

Diagnostic information:	
Green LED:	AS-Interface supply voltage
Red LED:	AS-Interface communication error or slave address = 0
Yellow LED:	Enabling status
Input module address:	preset to address 0, can be changed through AS-interface bus master or hand-held programming device
Auxiliary voltage magnet:	
Operating voltage range:	24 VDC - 15% /+10% (stabilised PELV)
Power consumption AUX:	max. 0.5 A
Rated insulation voltage Ui2:	32 VDC
Rated impulse withstand voltage Uimp2:	800 V
Device fuse rating:	≤ 4 A when used to UL 508
Magnet:	100% ED
Ambient conditions:	
Ambient temperature:	-25 °C ... +55 °C
Storage and transport temperature:	-25 °C ... +85 °C
Relative humidity:	30...95%, no condensation
Resistance to vibration:	10 ... 150 Hz, amplitude 0.35 mm
Resistance to shock:	30 g / 11 m/s
Switching frequency f:	≤ 1 Hz
Switch-off delay:	< 100 m/s
Actuating speed:	≤ 2 m/s

2.5 Safety classification

Standards:	EN ISO 13849-1, IEC/EN 61508
If a fault exclusion of a hazardous damage to the 1-channel mechanics is authorised and sufficient protection against tampering is ensured	
PL:	up to d
Control category:	up to 3
PFH value:	1.01 x 10 ⁻⁷ / h for ≤ 100,000 operations / year
SIL:	up to 2
Service life:	20 years
Basically suitable up to:	
PL:	up to c
Control category:	up to 1
PFH value:	1.14 x 10 ⁻⁶ / h for ≤ 100,000 operations / year
SIL:	up to 1
Service life:	20 years

3 Mounting

3.1 General mounting instructions

Two mounting holes are provided for fixing the enclosure. The solenoid interlock is double insulated. The use of a protective ground wire therefore is not authorised. The solenoid interlock must not be used as an end stop. Any mounting position may be used provided that the ingress of dirt in the used opening is avoided. The unused opening must be sealed by means of slot sealing plugs. Tightening force for the Torx T10 cover screws 0.7 ... 1 Nm



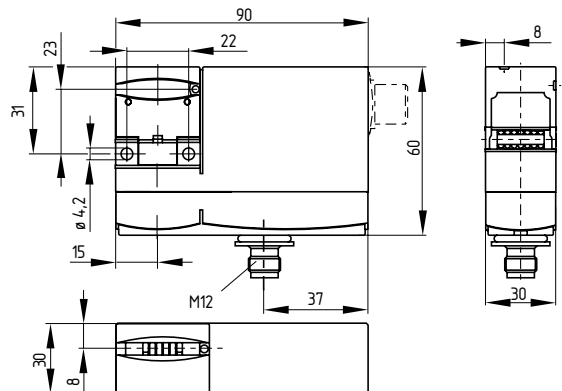
Please observe the remarks of the standards EN ISO 12100, EN 953 and EN 1088.

Mounting of the actuator

See mounting instructions actuators

3.2 Dimensions

All measurements in mm.



4 Electrical connection

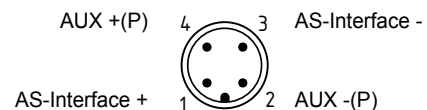
4.1 General information for electrical connection



The electrical connection may only be carried out by authorised personnel in a de-energised condition.

The AZM 170 AS solenoid interlock is supplied through the AS-Interface system. The energy for the locking magnet is individually supplied (AUX). Both voltage supplies of the solenoid interlock must be equipped with a protection against permanent overvoltage. To that effect, stabilised PELV supply units must be used.

The connection to the AS-Interface system is realised through an M12 connector. The M12 connector is A-coded. The wiring configuration of the M12 connector is defined as follows (to EN 50295):



5 Functions and configuration

5.1 Mode of operation of the safety outputs

AZM 170 B ST-AS

The safety outputs of the AS-i safety monitor are enabled, when the following condition is met:

- the actuator is inserted

AZM 170 BZ ST-AS

The safety outputs of the AS-i safety monitor are only activated, when both AS-i half-codes are enabled.

Half-code 1 (AS-i SaW bit 0,1) is enabled, when:

- the solenoid interlock is locked

The solenoid interlock now can be locked.

Half-code 2 (AS-i SaW bit 2,3) is enabled, when:

- the actuator is inserted

5.2 Magnet control

The control system with the AS-Interface Master can lock and unlock the solenoid interlock through the output bit 0 of the addressed AS-i slave AZM 170 AS. In the power to lock variant of the AZM 170 AS, the functional set of output bit 0 will cause the solenoid interlock to be locked. In the power to unlock variant of the AZM 170 AS, the functional set of output bit 0 will cause the solenoid interlock to be unlocked.

5.3 Programming the slave address

The slave address is programmed through the M12 connector. Any address from 1 to 31 can be set by means of the AS-i bus master or a hand-held programming device.

5.4 Configuration of the safety monitor

Depending on the component used, the AZM 170 AS can be configured in the ASIMON configuration software with the following safety monitors (also refer to the ASIMON manual).

Dual-channel dependent with filtering

Suitable for: AZM 170 B ST-AS

The use of this safety monitor is especially advantageous on safety guards, which bounce or vibrate against the end stop during the closing operation.

- Optionally with start-up test
- Stabilisation time typically 0.5 up to 1.0 s
- Synchronisation time typically 5.0 up to 10 s

The safety-monitoring module is only enabled after expiration of the stabilisation time and the synchronisation time must always be chosen so that it is considerably longer than the stabilisation time.

Dual-channel conditionally dependent

Suitable for: AZM 170 BZ ST-AS

- Independent: In - 2

As long as the actuator remains inserted, the unlocked safety guard can be closed back at any time; at that moment, the safety outputs are reactivated. The safety guard must not be opened.



The redundancy and the "Safety guard closed" signal are not tested in this configuration. To test these conditions, additional measures must be taken beyond the safety monitor.

Dual-channel dependent

Suitable for: AZM 170 B ST-AS

- Synchronisation time typically: 1.0 s;
for AZM 170 BZ ST-AS infinite (∞)
- Optionally with start-up test
- Optionally with local acknowledge

When the AZM 170 BZ ST-AS is used together with this safety-monitoring module for conducting the start-up test prior to every restart, the safety guard must be opened.



The configuration of the safety monitor must be tested and confirmed by a qualified and authorised safety expert/safety engineer.

5.5 Status signal "safety release"

The "safety release" status signal from a Safety at Work slave can be cyclically queried by the control system through the AS-i master. To that effect, the 4 input bits with the varying SaW code of a Safety at Work slave are evaluated through an OR operation with 4 inputs in the control system.

5.6 Read-out of the parameter port

The parameter port P0 to P3 of a solenoid interlock can be read out through the control interface of the AS-i master (see component description) by means of the "Write parameter" instruction (with hexadecimal value F). This (non-safe) diagnostic information from the reflected parameters or the answer to a "Write parameter instruction" can be used by the user for diagnostic purposes or for the control programme.

Parameter bit	Condition = 1	Condition = 0
0	Actuator inserted. The actuator can now be locked.	No actuator detected
1	Actuator inserted and locked	Actuator not locked
2	---	---
3	---	---

AZM 170 B ST-AS .A. B-variant, power to lock (magnet-operated locking)

System condition	Magnet input AS-i D Out: 0	AS-i power Green LED	Authorized operation Yellow LED	SaW code Authorized operation	Parameter port P0 - P1 - P2 - P3
Safety guard open	0	ON	-	0 0 0 0	0 0 1 1
Safety guard closed	0	ON	ON	SaW code	1 0 1 1
Safety guard locked	1	ON	ON	SaW code	1 1 1 1

AZM 170 BZ ST-AS .A. BZ-variant, power to lock (magnet-operated locking)

System condition	Magnet input AS-i D Out: 0	AS-i power Green LED	Authorized operation Yellow LED	SaW code release	Parameter port P0 - P1 - P2 - P3
Safety guard open	0	ON	-	0 0 0 0	0 0 1 1
Safety guard closed	0	ON	-	0 0 HC 2*	1 0 1 1
Safety guard locked	1	ON	ON	SaW code	1 1 1 1

HC 2*. Half-code 2 (AS-i SaW bit 2,3)

AZM 170 B ST-AS .. B-variant, power to unlock (spring-operated locking)

System condition	Magnet input AS-i D Out: 0	AS-i power LED green	Authorized operation LED yellow	SaW code release	Parameter port P0 - P1 - P2 - P3
Safety guard open	1	ON	-	0 0 0 0	0 0 1 1
Safety guard closed	1	ON	ON	SaW code	1 0 1 1
Safety guard locked	0	ON	ON	SaW code	1 1 1 1

AZM 170 BZ ST-AS .. BZ-variant, power to unlock (spring-operated locking)

System condition	Magnet input AS-i D Out: 0	AS-i power LED green	Authorized operation LED yellow	SaW code release	Parameter port P0 - P1 - P2 - P3
Safety guard open	1	ON	-	0 0 0 0	0 0 1 1
Safety guard closed	1	ON	-	0 0 HC 2*	1 0 1 1
Safety guard locked	0	ON	ON	SaW code	1 1 1 1

HC 2*. Half-code 2 (AS-i SaW bit 2,3)

6 Set-up and maintenance

6.1 Functional testing

The safety function of the safety components must be tested. The following conditions must be previously checked and met:

1. Check the switch enclosure for damage.
2. Check the free movement of the actuating element
3. Check the integrity of the cable entry and connections

6.2 Maintenance

A regular visual inspection and functional test, including the following steps, is recommended:

1. Check the free movement of the actuating element
2. Remove particles of dust and soiling
3. Check cable entry and connections

Damaged or defective components must be replaced.

7 Disassembly and disposal



7.1 Disassembly

The safety switchgear must be disassembled in a de-energised condition only.

7.2 Disposal

The safety switchgear must be disposed of in an appropriate manner in accordance with the national prescriptions and legislations.

8.1 EC Declaration of conformity

	
<h2>EC Declaration of conformity</h2>	
Translation of the original operating instructions valid as from December 29, 2009	K.A. Schmersal GmbH Industrielle Sicherheitssysteme Möddinghofe 30, D - 42279 Wuppertal Germany Internet: www.schmersal.com
We hereby certify that the hereafter described safety components both in its basic design and construction conforms to the applicable European Directives.	
Name of the safety component:	AZM 170 AS
Description of the safety component:	Interlocking device with electromagnetic interlock for safety functions with integrated AS-i Safety at Work
Harmonised EC-Directives:	2006/42/EC EC-Machinery Directive 2004/108/ EC EMC-Directive
Person authorized for the compilation of the technical documentation:	Ulrich Loss Möddinghofe 30 42279 Wuppertal
Place and date of issue:	Wuppertal, October 6, 2009
AZM 170 AS-A-EN	
	Authorised signature Heinz Schmersal Managing Director



Note

The currently valid declaration of conformity can be downloaded from the internet at www.schmersal.net.



K. A. Schmersal GmbH
Industrielle Sicherheitssysteme
Möddinghofe 30, D - 42279 Wuppertal
Postfach 24 02 63, D - 42232 Wuppertal

Telefon +49 - (0)2 02 - 64 74 - 0
Telefax +49 - (0)2 02 - 64 74 - 1 00
E-Mail: info@schmersal.com
Internet: <http://www.schmersal.com>