



**EN** Operating instructions. . . . .pages 1 to 6  
Translation of the original operating instructions

**Content**

**1 About this document**

1.1 Function . . . . . 1

1.2 Target group: authorised qualified personnel. . . . . 1

1.3 Explanation of the symbols used . . . . . 1

1.4 Appropriate use . . . . . 1

1.5 General safety instructions . . . . . 1

1.6 Warning about misuse . . . . . 1

1.7 Exclusion of liability . . . . . 2

**2 Product description**

2.1 Ordering code . . . . . 2

2.2 Special versions. . . . . 2

2.3 Destination and use . . . . . 2

2.4 Technical data . . . . . 2

2.5 Safety classification . . . . . 2

**3 Mounting**

3.1 General mounting instructions . . . . . 3

3.2 Dimensions . . . . . 3

**4 Electrical connection**

4.1 General information for electrical connection. . . . . 4

4.2 Contact variants. . . . . 4

**5 Set-up and maintenance**

5.1 Functional testing. . . . . 4

5.2 Maintenance . . . . . 4

**6 Disassembly and disposal**

6.1 Disassembly. . . . . 4

6.2 Disposal. . . . . 4

**7 Appendix**

7.1 EC Declaration of conformity . . . . . 5

**1. About this document**

**1.1 Function**

This operating instructions manual provides all the information you need for the mounting, set-up and commissioning to ensure the safe operation and disassembly of the safety switchgear. The operating instructions must be available in a legible condition and a complete version in the vicinity of the device.

**1.2 Target group: authorised qualified personnel**

All operations described in this operating instructions manual must be carried out by trained specialist personnel, authorised by the plant operator only.

Please make sure that you have read and understood these operating instructions and that you know all applicable legislations regarding occupational safety and accident prevention prior to installation and putting the component into operation.

The machine builder must carefully select the harmonised standards to be complied with as well as other technical specifications for the selection, mounting and integration of the components.

**1.3 Explanation of the symbols used**



**Information, hint, note:**

This symbol is used for identifying useful additional information.



**Caution:** Failure to comply with this warning notice could lead to failures or malfunctions.

**Warning:** Failure to comply with this warning notice could lead to physical injury and/or damage to the machine.

**1.4 Appropriate use**

The products described in these operating instructions are developed to execute safety-related functions as part of an entire plant or machine. It is the responsibility of the manufacturer of a machine or plant to ensure the correct functionality of the entire machinery or plant.

The safety switchgear must be exclusively used in accordance with the versions listed below or for the applications authorised by the manufacturer. Detailed information regarding the range of applications can be found in the chapter "Product description".

**1.5 General safety instructions**

The user must observe the safety instructions in this operating instructions manual, the country-specific installation standards as well as all prevailing safety regulations and accident prevention rules.



Further technical information can be found in the Schmersal catalogues or in the online catalogue on the Internet: [www.schmersal.net](http://www.schmersal.net).

The information contained in this operating instructions manual is provided without liability and is subject to technical modifications.

There are no residual risks, provided that the safety instructions as well as the instructions regarding mounting, commissioning, operation and maintenance are observed.

**1.6 Warning about misuse**



In case of improper use or manipulation of the safety switchgear, personal hazards or damages to machinery or plant components cannot be excluded. The relevant requirements of the standard EN ISO 14119 must be observed.

### 1.7 Exclusion of liability

We shall accept no liability for damages and malfunctions resulting from defective mounting or failure to comply with this operating instructions manual. The manufacturer shall accept no liability for damages resulting from the use of unauthorised spare parts or accessories.

For safety reasons, invasive work on the device as well as arbitrary repairs, conversions and modifications to the device are strictly forbidden; the manufacturer shall accept no liability for damages resulting from such invasive work, arbitrary repairs, conversions and/or modifications to the device.

## 2. Product description

### 2.1 Ordering code

This operating instructions manual applies to the following types:

**EX-①② 235-③Z④-⑤-⑥-⑦-3D**

| No. | Option         | Description  |
|-----|----------------|--|
| ①   | Z<br>T         | Snap action A<br>Slow action A   |
| ②   |                | Actuator selection, refer to catalogue                                       |
| ③   | 02<br>11<br>20 | 2 NC contacts<br>1 NO contacts / 1 NC contacts<br>2 NO contacts              |
| ④   | H<br>UE        | Slow action with staggered contacts<br>Slow action with overlapping contacts |
| ⑤   | 1297           | Enclosure with transverse slotted holes                                      |
| ⑥   | 2138           | Roller lever 7H for safety applications                                      |
| ⑦   | 1637           | Gold-plated contacts   |



In accordance with the Machinery Directive, the type plate of safety components is type plate is labelled "safety component".

Only if the information described in this operating instructions manual are realised correctly, the safety function and therefore the compliance with the Machinery Directive and the Explosion Protection Directive is maintained.

### 2.2 Special versions

For special versions, which are not listed in the order code below 2.1, these specifications apply accordingly, provided that they correspond to the standard version.

### 2.3 Destination and use

The safety switches are suitable for hinged or sliding guards, which need to be closed in order to provide for the necessary operational safety. The components can be used in explosion-endangered areas of Zone 2 and 22 equipment category 3 GD. The installation and maintenance requirements to the standard series EN 60079 must be met.

### Conditions for safe operation

Due to the specific impact energy, the components must be fitted with a protection against mechanical stresses. The specific ambient temperature range must be observed. The user must provide for a protection against the permanent influence of UV rays.



The user must evaluate and design the safety chain in accordance with the relevant standards and the required safety level.

### 2.4 Technical data

|  |   |
|--|---|
| Equipment category:                                      | ⊕ II 3GD  |
| Ex protection:   | Ex tc IIC T90°C Dc X, Ex nC IIC T5 Gc X   |
| Standards:   | EN 60947-5-1, EN 60079-0, EN 60079-15,<br>EN 60079-31, BG-GS-ET-15  |
| Design:  | fixings to EN 50047   |
| Enclosure:   | zinc die-cast, enamel finish  |
| Max. impact energy:                                      | 1 J   |
| Actuating speed:   | max. 1 ms   |
| Protection class:  | IP67 to EN 60529  |
| Contact material:  | Silver  |
| Contact type:  | change-over with double break Zb,<br>or 2 NC contacts, galvanically separated contact bridges             |
| Switching system:  | ⊖ EN 60947-5-1, slow or snap action, NC contacts<br>with positive break                                   |
| Connection:  | screw terminals   |
| Cable section:   | min. 0.75 mm <sup>2</sup> ; max. 2.5 mm <sup>2</sup> ;<br>solid and stranded wire with conductor ferrules |
| Cable entry:   | M20 x 1.5   |
| Rated impulse withstand voltage U <sub>imp</sub> :       | 6 kV  |
| Rated insulation voltage U <sub>i</sub> :                | 500 V   |
| Thermal test current I <sub>th</sub> :                   | 10 A  |
| Utilisation category:                                    | AC-15 / DC-13   |
| Rated operating voltage/                                 |   |
| Rated operating current I <sub>e</sub> /U <sub>e</sub> : | 4 A / 230 VAC;<br>1 A / 24 VDC  |
| Max. fuse rating:  | 6 A gG D-fuse   |
| Required short-circuit current:                          | 1000 A  |
| Ambient temperature:                                     | -20 °C ... + 60 °C  |
| Mechanical life:   | 20 million operations   |
| Switching frequency:                                     | max. 5000 / h   |
| Max. Actuating speed:                                    | 1 m/s   |
| Bounce duration:   | slow action: < 3 ms;<br>snap action: in accordance with actuating speed                                   |
| Switchover time:   | slow action: in accordance with actuating speed   |
| Cable cross-section of the cable glands:                 | min. Ø 7 mm;<br>max. Ø 12 mm  |
| Cable glands:  | ⊕ II 2GD  |
| Tightening torque  |   |
| - Cover screws:  | min. 0.6 Nm   |
| - Cable gland:   | min. 8 Nm   |

### 2.5 Safety classification

|                                |                |
|--------------------------------|----------------|
| Standards:                     | EN ISO 13849-1 |
| B <sub>10d</sub> (NC contact): | 20,000,000     |
| B <sub>10d</sub> (NO contact)  |                |
| at 10% ohmic contact load:     | 1,000,000      |
| Service life:                  | 20 years       |

$$MTTF_d = \frac{B_{10d}}{0,1 \times n_{op}} \quad n_{op} = \frac{d_{op} \times h_{op} \times 3600 \text{ s/h}}{t_{cycle}}$$

(Specifications can vary depending on the application-specific parameters  $h_{op}$ ,  $d_{op}$ ,  $t_{cycle}$  as well as the load.)

### 3. Mounting

#### 3.1 General mounting instructions



Fitting is only authorised in a de-energised condition

The enclosure can be fixed by means of 2 mounting holes. The mounting dimensions are mentioned at the rear of the enclosure. The fixing screws must be protected against unauthorised tampering. The use of a protective ground wire is imperative. The enclosure must not be used as an end stop. Any mounting position.

To ensure a proper functioning, the switch must be installed so that the required switch travel is obtained. For safety functions, at least the positive break travel indicated in the switch travel diagram (refer to catalogue) must be obtained. All components have sufficient after-travel to compensate for inaccuracies in the guidance of the actuating system. The actuation of the switch beyond its end stop however must be avoided.



Please observe the recommendations regarding maximum impact energy, actuating speed and tightening torque in the technical data.



Please observe the remarks of the standards EN ISO 12100, EN 953 and EN ISO 14119.

#### 3.2 Dimensions

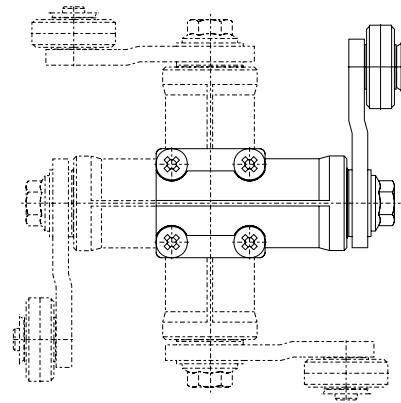
All measurements in mm.

#### Position switches EX-Z/T 235



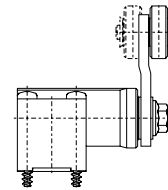
#### Mounting of the actuating heads

Repositioning the actuating heads (R, 1R, 4R, K, 3K, 4K, V.H)



The actuating head can be repositioned by 4 x 90°. Unscrew the four screws of the actuating head (Philips tip profile PZ1), reposition the actuating head in the desired position and retighten the four screws (tightening torque 0.45 Nm).

#### Repositioning the roller lever (H.)



The (offset) roller arm may be reversed, so that the roller faces the inside of the arm.

#### Positioning the lever (H.)



The roller lever can be repositioned over 360° on the toothed shaft in 10° steps. Unscrew the hexagonal screw approx. 4 mm, reposition the lever in the desired position and retighten the screw.

#### Length-adjustable lever (7H, 10H)

To adjust the length of the lever, unscrew the fixing screw of the lever. Firmly retighten the screw after the length adjustment.



Position switches with 7H, 10H actuator or spring rod lever AF are without positive break and not suitable for safety functions.

Ordering suffix for actuator 7H with positive break: -2138.

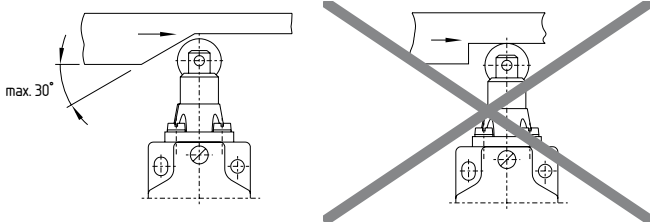
### Actuation of the position switches

#### Top plunger

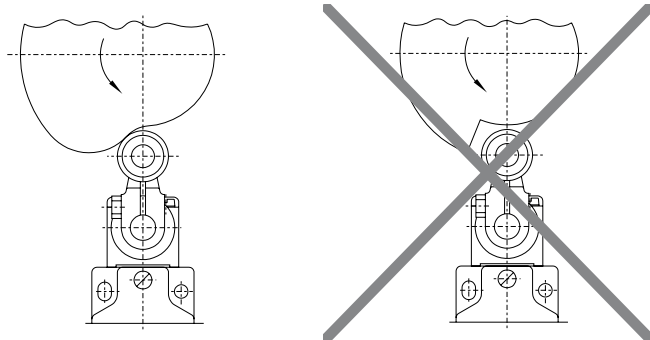


⊖ End stop

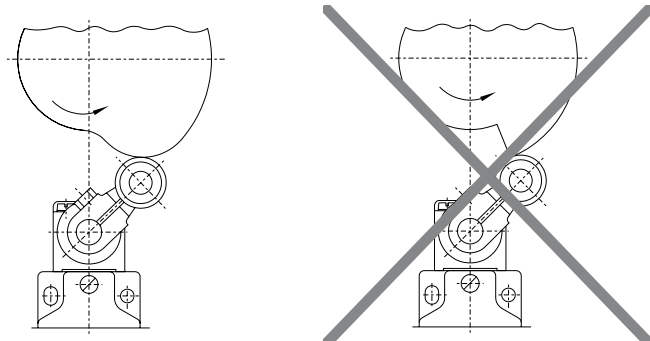
#### Roller plunger



#### Cam disc



front side



Trailing edge

## 4. Electrical connection

### 4.1 General information for electrical connection



The electrical connection may only be carried out by authorised personnel in a de-energised condition.

The contact labelling can be found in the wiring compartment of the switch.

Cable glands (included in delivery) are only authorised for permanent cables. The constructor must provide for the necessary strain relief. After wiring, dust and soiling must be removed from the wiring compartment.

### 4.2 Contact variants

Contacts are shown with safety guard closed.

#### 1 NO contact / 1 NC contact

EX-Z/T 235-11Z-3D



#### 2 NC contacts

EX-Z/T 235-02Z-3D



#### 2 NO contacts

EX-T 235-20Z-3D



Position switches with two NO contacts (-20) are not suitable for safety functions.

## 5. Set-up and maintenance

### 5.1 Functional testing

The safety function of the safety components must be tested. The following conditions must be previously checked and met:

- The installation is executed according to the instructions
- The connection is executed correctly
- The cable is correctly executed and connected
- Check the free movement of the actuating element
- The safety component is not damaged
- Remove particles of dust and soiling
- Check cable entry and connections in de-energised condition

### 5.2 Maintenance

In case of correct installation in accordance with the above-described instructions, the component requires little maintenance. By use in extreme conditions, we recommend routine maintenance including the following steps:

1. Check the proper fixation of the actuator and the safety switchgear
2. Lubricate the shaft or plunger
3. Remove particles of dust and soiling
4. Check cable entry and connections in a de-energised condition



Do not open the device when live.



Adequate measures must be taken to ensure protection against tampering either to prevent tampering of the safety guard, for instance by means of replacement actuators.

**Damaged or defective components must be replaced. For explosion protection reasons, the component must be exchanged after max. 20 million operations.**

## 6. Disassembly and disposal

### 6.1 Disassembly


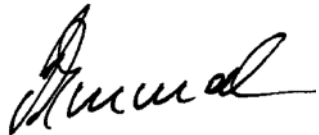
The safety switchgear must be disassembled in a de-energised condition only.

### 6.2 Disposal

The safety switchgear must be disposed of in an appropriate manner in accordance with the national prescriptions and legislations.

7. Appendix

7.1 EC Declaration of conformity

|   |  |
|---|--|
|   |  |
| <h2>EC Declaration of conformity</h2>   |  |
| Translation of the original<br>Declaration of Conformity  | K.A. Schmersal GmbH & Co. KG<br>Möddinghofe 30<br>42279 Wuppertal<br>Germany<br>Internet: www.schmersal.com  |
| We hereby certify that the hereafter described safety components both in its basic design and construction conform to the applicable European Directives. |  |
| <b>Name of the safety component / type:</b>   | EX-Z/T 235<br>Ⓢ II 3D Ex tc IIIC T90°C Dc X<br>Ⓢ II 3G Ex nC IIC T5 Gc X   |
| <b>Description of the safety component:</b>   | Positive break position switch for safety functions or position switch without safety function   |
| <b>Relevant EC-Directives:</b>  | 2006/42/EC EC-Machinery Directive <sup>1)</sup><br>2006/95/EC EC Low Voltage Directive <sup>2)</sup><br>94/9/EC EC-Explosion Protection Directive (ATEX) |
| <b>Affixing of the CE conformity mark:</b>  | <sup>1)</sup> for safety components, whose type plate is labelled "safety component"<br><sup>2)</sup> for position switches without safety function      |
| <b>Used harmonized standards:</b>   | EN 60947-5-1   EN 60079-0   EN 60079-15<br>EN 60079-31   |
| <b>Person authorized for the compilation of the technical documentation:</b>  | Oliver Wacker<br>Möddinghofe 30<br>42279 Wuppertal   |
| <b>Place and date of issue:</b>   | Wuppertal, October 7, 2014   |
| EX-Z/T235-D-EN  |    |
|   | Authorised signature<br><b>Philip Schmersal</b><br>Managing Director   |



The currently valid declaration of conformity can be downloaded from the internet at [www.schmersal.net](http://www.schmersal.net).



**K.A. Schmersal GmbH & Co. KG**  
Möddinghofe 30, D - 42279 Wuppertal  
Postfach 24 02 63, D - 42232 Wuppertal

Phone: +49 - (0)2 02 - 64 74 - 0  
Telefax: +49 - (0)2 02 - 64 74 - 1 00  
E-Mail: [info@schmersal.com](mailto:info@schmersal.com)  
Internet: <http://www.schmersal.com>