




EN Operating instructions. pages 1 to 2
Translation of the original operating instructions

Destination and use

Please read this user information carefully before installing the safety edge. Technical data can be found in the General Catalogue or in the SE product information. The suitability of the safety edge for the application and the requirements on the resistivity must be checked. Refer to the specifications regarding the selection procedure and the resistivity contained in the SE product information.

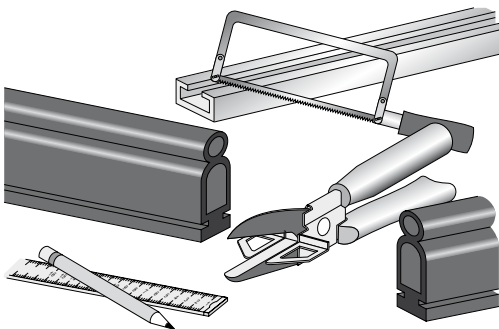
 The signal generator and the corresponding safety-monitoring module together build the safety edge system to EN ISO 13856-2.

The safety edge must only be installed and put into service by persons with the required professional qualifications, who know all applicable legislations regarding occupational safety and accident prevention. The VDE as well as the local prescriptions must be observed.


Mounting

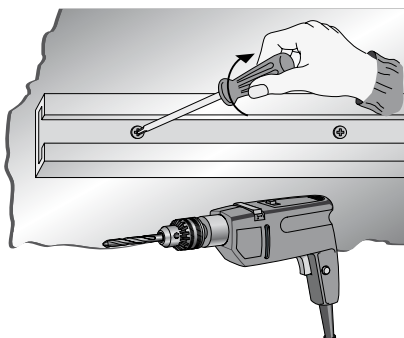
The safety edge (signal generator) can be fitted in any position.

1. Cut the rubber and aluminium profile to length

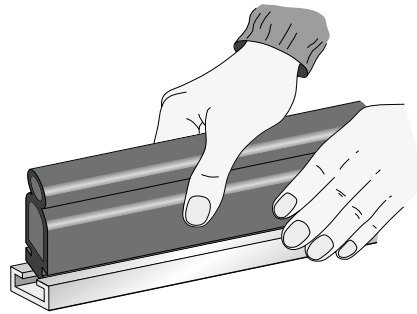


2. If necessary, pull the safety edge slightly out of the aluminium profile or drill mounting holes; max. hole distance 70 mm; fix the aluminium profile by means of oval-head or countersunk head screws Ø 3 ... 6 mm.

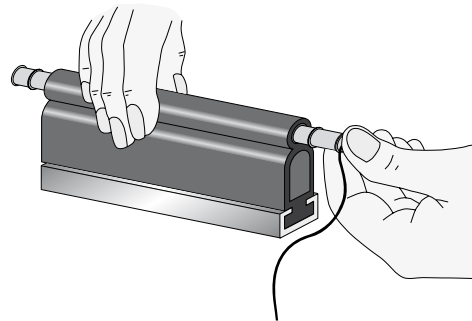
 The profile must be fitted onto a plane surface. In operation, the profile must not be bent or warped.



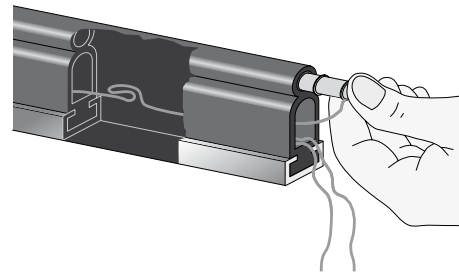
3. Clips the rubber profile in the aluminium profile. If necessary, detergent can be used as a slip agent. In case of vertical mounting, the rubber profile must be protected against slipping out.



4. Press the transmitter SE-T (grey) and the receiver SE-R (black) into the rubber profile.



5. For the output of the connecting cables on one side, the transmitter and the receiver have different cable lengths. Pull the cable of the opposite unit through the large aperture of the rubber profile (if necessary, use the SE-WA tool). Install the end plugs.



6. Connect the safety edge (signal generator) with the SE safety-monitoring modules after the assembly. Execute the wiring and the functional test of the safety edge in accordance with the mounting instructions SE-..C.


Maintenance

Under rough operating conditions, a regular inspection of the functioning and the state of the safety edge is recommended. In case of intensive pollution, clean the system (also refer to the mounting and inspection protocol).

Cleaning agents

- normal soiling: household detergents with water
- heavy soiling: alcohol, white spirit
- prohibited products: acetone, petroleum ether and other hydrocarbons

Mounting and inspection protocol

 **SCHMERSAL**

Mounting and inspection protocol

Check of the safety edge system

Under the scope of the commissioning and the regular maintenance of the machine, the following items of the safety edge system must be checked and inspected by a professional:

Machine/ Construction project _____	Signal evaluation _____
Date of first putting into operation _____	Profile signal generator _____
Name of the fitter _____	Transmitter _____
	Receiver _____
	Aluminium profile _____

1. Visual check of the signal generator
Inspection of the signal generator's surface and the connections, to ensure the absence of damages preventing correct operation.

2. Visual check of the signal transmission
Check and inspection of the connections and the wiring for defects and changes.

3. Visual check of the signal evaluation
Check and inspection of the enclosure and its electrical connections for defects and changes.

4. Functional test of the safety edge
Actuation of the signal generator at multiple arbitrary positions. The sensitivity of the safety edge must be present throughout the entire active actuating surface. Check of the LED's in the evaluation. The machine must not be restarted if hazards are present.

Please enclose the protocol in the machine documentation.

Date / Signature: