



**EN** Operating instructions. . . . . pages 1 to 4  
Translation of the original operating instructions

**FR** Vous trouverez la version actuelle du mode d'emploi dans votre langue nationale officielle sur l'Internet, [www.schmersal.net](http://www.schmersal.net).

**ES** Encontrará el manual de instrucciones actual en su idioma oficial de la UE en nuestra página de Internet [www.schmersal.net](http://www.schmersal.net).

**NL** U vindt de huidige versie van de gebruikshandleiding in uw officiële landstaal op het Internet, [www.schmersal.net](http://www.schmersal.net).

**IT** Il manuale d'istruzioni aggiornato nella vostra lingua (lingua ufficiale UE) è scaricabile in Internet all'indirizzo [www.schmersal.net](http://www.schmersal.net).

**JP** EU公用語で書かれた最新の取扱説明書は、インターネット ([www.schmersal.net](http://www.schmersal.net)) からダウンロードできます。

**Content**

**1 About this document**  
1.1 Function . . . . . 1  
1.2 Target group: authorised qualified personnel. . . . . 1  
1.3 Explanation of the symbols used . . . . . 1  
1.4 Appropriate use . . . . . 1  
1.5 General safety instructions . . . . . 1  
1.6 Warning about misuse . . . . . 2  
1.7 Exclusion of liability . . . . . 2

**2 Product description**  
2.1 Ordering code . . . . . 2  
2.2 Special versions . . . . . 2  
2.3 Destination and use . . . . . 2  
2.4 Technical data . . . . . 2  
2.5 Safety classification . . . . . 2

**3 Mounting**  
3.1 General mounting instructions . . . . . 3  
3.2 Dimensions . . . . . 3

**4 Electrical connection**  
4.1 General information for electrical connection. . . . . 3  
4.2 Contact variants. . . . . 3

**5 Set-up and maintenance**  
5.1 Functional testing. . . . . 3  
5.2 Maintenance . . . . . 3

**6 Disassembly and disposal**  
6.1 Disassembly. . . . . 3  
6.2 Disposal . . . . . 3

**7 Appendix**  
7.1 EC Declaration of conformity . . . . . 4

**1. About this document**

**1.1 Function**

This operating instructions manual provides all the information you need for the mounting, set-up and commissioning to ensure the safe operation and disassembly of the safety switchgear. The operating instructions must be available in a legible condition and a complete version in the vicinity of the device.

**1.2 Target group: authorised qualified personnel**

All operations described in this operating instructions manual must be carried out by trained specialist personnel, authorised by the plant operator only.

Please make sure that you have read and understood these operating instructions and that you know all applicable legislations regarding occupational safety and accident prevention prior to installation and putting the component into operation.

The machine builder must carefully select the harmonised standards to be complied with as well as other technical specifications for the selection, mounting and integration of the components.

**1.3 Explanation of the symbols used**



**Information, hint, note:**

This symbol is used for identifying useful additional information.



**Caution:** Failure to comply with this warning notice could lead to failures or malfunctions.

**Warning:** Failure to comply with this warning notice could lead to physical injury and/or damage to the machine.

**1.4 Appropriate use**

The products described in these operating instructions are developed to execute safety-related functions as part of an entire plant or machine. It is the responsibility of the manufacturer of a machine or plant to ensure the proper functionality of the entire machinery or plant.

The safety switchgear must be exclusively used in accordance with the versions listed below or for the applications authorised by the manufacturer. Detailed information regarding the range of applications can be found in the chapter "Product description".

**1.5 General safety instructions**

The user must observe the safety instructions in this operating instructions manual, the country-specific installation standards as well as all prevailing safety regulations and accident prevention rules.



Further technical information can be found in the Elan catalogues or in the online catalogue on the Internet: [www.elan.de](http://www.elan.de)

The information contained in this operating instructions manual is provided without liability. Subject to technical modifications.



If multiple safety components are wired in series, the Performance Level to EN ISO 13849-1 will be reduced due to the restricted error detection under certain circumstances. The entire concept of the control system, in which the safety component is integrated, must be validated to EN ISO 13849-2.

There are no residual risks, provided that the safety instructions as well as the instructions regarding mounting, commissioning, operation and maintenance are observed.

### 1.6 Warning about misuse



In case of inadequate or improper use or manipulations of the safety switchgear, personal hazards or damage to machinery or plant components cannot be excluded. The relevant requirements of the standard EN 1088 must be observed.

### 1.7 Exclusion of liability

We shall accept no liability for damages and malfunctions resulting from defective mounting or failure to comply with this operating instructions manual. The manufacturer shall accept no liability for damages resulting from the use of unauthorised spare parts or accessories.

For safety reasons, invasive work on the device as well as arbitrary repairs, conversions and modifications to the device are strictly forbidden; the manufacturer shall accept no liability for damages resulting from such invasive work, arbitrary repairs, conversions and/or modifications to the device.

## 2. Product description

### 2.1 Ordering code

This operating instructions manual applies to the following types:

#### SHG ①/②

No.	Option	Description
①	01	Head positioned to the front
	02	Head positioned to the left
	03	Head positioned to the right
	04	Head positioned to the rear
②	103/90	1 NC/1 NO slow action
	220/110	2 NC slow action
	92/90	1 NC/1 NO snap action

#### SCG ①/②

No.	Option	Description
①	01	Head positioned to the front
	02	Head positioned to the left
	03	Head positioned to the right
	04	Head positioned to the rear
②	103	1 NC/1 NO slow action
	220/110	2 NC slow action
	92/90	1 NC/1 NO snap action

#### SDG ①/②

No.	Option	Description
①	01	Head positioned to the front
	02	Head positioned to the left
	03	Head positioned to the right
	04	Head positioned to the rear
②	1103	2 NC/1 NO slow action
	3330	3 NC slow action
	3440	3 NC gradually slow action
	1044	1 NC/2 NO slow action



Only if the information described in this operating instructions manual are realised correctly, the safety function and therefore the compliance with the Machinery Directive is maintained.

### 2.2 Special versions

For special versions, which are not listed in the order code below 2.1, these specifications apply accordingly, provided that they correspond to the standard version.

### 2.3 Destination and use

The SHG, SCG, SDG safety switch has been designed to prevent, in conjunction with the control part of a machine, movable safety guards from being opened before hazardous conditions have been eliminated.



Safety switches can only be used for applications, in which the hazardous condition is terminated without delay (e.g. run-on movements) when the safety guard is opened.

When the safety guard is opened, the NC contacts are positively opened and the NO contacts are closed.

The user must evaluate and design the safety chain in accordance with the relevant standards and on the required safety level.

### 2.4 Technical data

Standards: IEC 60947-5-1; EN ISO 13849-1;  
EN 1088; BG-GS-ET-15

Enclosure:	Aluminium
Actuator:	Steel
Contact material:	Silver
Protection class:	IP67
Contact types:	Change-over contact with double break, type Zb or 2 NC or 3 NC contacts, with galvanically separated contact bridges
Switching system:	⊖ IEC/EN 60947-5-1; slow action or snap action, positive break NC contact
Termination:	Screw terminals
Cable type:	solid wire
Cable section:	0.5 ... 2.5 mm <sup>2</sup>
Cable type:	stranded wire
Cable section:	0.5 ... 1.5 mm <sup>2</sup> , with conductor ferrules
Cable entry:	M20 × 1.5 ; SCG and SDG 3 × M20 x 1.5
Actuating speed:	0.2 m/s
Actuating frequency:	max. 1200 operations/h
Mechanical life:	> 1 million operations
Ambient temperature:	-25 °C ... + 70 °C
Utilisation category:	AC-15, DC-13
I <sub>e</sub> /U <sub>e</sub> :	8 A / 230 VAC; 5 A / 24 VDC; 6 A / 230 VAC; 4 A / 24 VDC only snap action
U <sub>j</sub> :	400 V
U <sub>imp</sub> :	2.5 kV
I <sub>the</sub> :	10 A
U <sub>s</sub> :	24 VAC / DC 110 / 230 VAC
Max. fuse rating:	10 A gG D-fuse

### 2.5 Safety classification

Standards:	EN ISO 13849-1
B <sub>10d</sub> (NC contact):	2,000,000
B <sub>10d</sub> (NO contact) at 10% ohmic contact load:	1,000,000
Service life:	20 years

$$MTTF_d = \frac{B_{10d}}{0,1 \times n_{op}} \quad n_{op} = \frac{d_{op} \times h_{op} \times 3600 \text{ s/h}}{t_{cycle}}$$

(Specifications can vary depending on the application-specific parameters  $h_{op}$ ,  $d_{op}$  and  $t_{cycle}$  as well as the load.)

UL/CSA: "Use Copper Wire Only" · "Use 60/75°C Wire Only" · Tightening Torque 0.8 Nm.

### 3. Mounting

#### 3.1 General mounting instructions

Four mounting holes are provided for fixing the switch. The safety switch must not be used as end stop. The safety switch can be mounted in any position. The mounting position however is chosen so that the components are protected against soiling and damages. In case of painting activities, the components must be covered. The supplied fixing material must be used. If a different actuating direction is required, the four screws of the actuating head must be loosened. Turn the actuating head in the desired direction and retighten the screws (tightening torque 0.5 Nm). The default screws installed in the actuating head can be replaced with the supplied tamperproof screws.

**Mounting of the actuators:** See mounting instructions actuators.

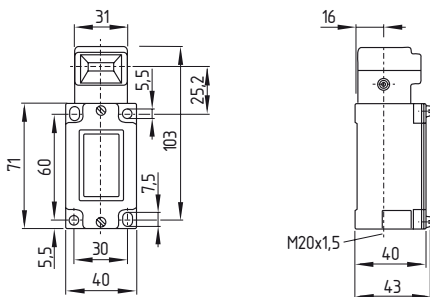


Please observe the remarks of the standards EN ISO 12100, EN 953 and EN 1088.

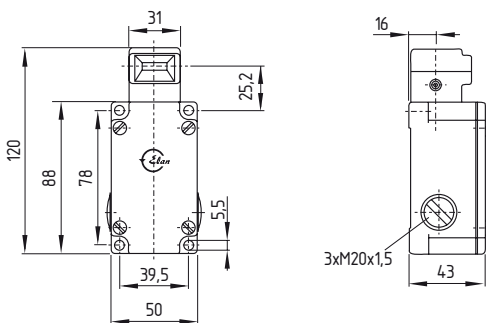
#### 3.2 Dimensions

All measurements in mm.

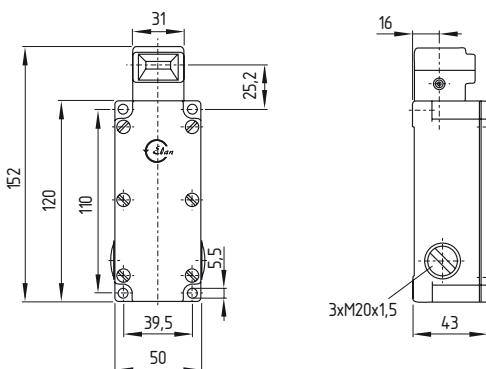
##### SHG...



##### SCG...



##### SDG...



### 4. Electrical connection

#### 4.1 General information for electrical connection



The electrical connection may only be carried out by authorised personnel in a de-energised condition.

The contact labelling can be found in the wiring compartment of the switch. For the cable entry, suitable cable glands with an appropriate degree of protection must be used. After wiring, dust and soiling must be removed from the wiring compartment.

#### 4.2 Contact variants

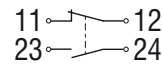
Contacts are shown with safety guard closed.

##### SHG../103

SHG../92/90

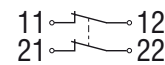
SCG../103

SCG../92

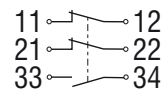


##### SHG../220/110

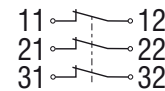
SCG../220



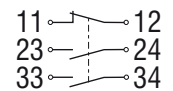
##### SDG../1103



##### SDG../3330 SDG../3440



##### SDG../1044



### 5. Set-up and maintenance

#### 5.1 Functional testing

The safety function of the safety components must be tested. The following conditions must be previously checked and met:

1. Check the free movement of the actuating element.
2. Check the integrity of the cable entry and connections.
3. Check the switch enclosure for damage.

#### 5.2 Maintenance

A regular visual inspection and functional test, including the following steps, is recommended:

1. Check the free movement of the actuating element.
2. Remove particles of dust and soiling.
3. Check cable entry and connections.

**Damaged or defective components must be replaced.**

### 6. Disassembly and disposal




#### 6.1 Disassembly

The safety switchgear must be disassembled in a de-energised condition only.

#### 6.2 Disposal

The safety switchgear must be disposed of in an appropriate manner in accordance with the national prescriptions and legislations.

7.1 EC Declaration of conformity

<b>EC Declaration of conformity</b>		 
Translation of the original declaration of conformity valid as of December 29, 2009		Elan Schaltelemente GmbH & Co. KG Im Ostpark 2, 35435 Wettenberg Germany Internet: www.elan.de
We hereby certify that the hereafter described safety components both in its basic design and construction conforms to the applicable European Directives.		
<b>Name of the safety component:</b>		SHG; SCG; SDG
<b>Description of the safety component:</b>		Positive break position switch with separate actuator for safety functions
<b>Harmonised EC-Directives:</b>		2006/42/EC EC-Machinery Directive
<b>Person authorized for the compilation of the technical documentation:</b>		Ulrich Loss Möddinghofe 30 42279 Wuppertal
<b>Place and date of issue:</b>		Wettenberg, September 10, 2009
SHG;SCG;SDG-B-EN		
	Authorised signature <b>Heinz Schmersal</b> Managing Director	



The currently prevailing Declaration of Conformity can be downloaded from the Internet: [www.elan.de](http://www.elan.de)



**Elan Schaltelemente GmbH und Co. KG**

Im Ostpark 2, D - 35435 Wettenberg  
Postfach 11 09, D - 35429 Wettenberg

Telefon +49 - (0)6 41 - 98 48 - 0  
Telefax +49 - (0)6 41 - 98 48 - 4 20  
E-Mail: [info-elan@schmersal.com](mailto:info-elan@schmersal.com)  
Internet: <http://www.elan.de>