



EN Operating instructions. . . . . pages 1 to 2  
Translation of the original operating instructions

**Destination and use**

There are different actuator types available. The actuators AZM190-B1 and AZM190-B5 are preferably used for sliding and removable safety guards. The actuators AZM190-B3/2X15, AZM190-B3/1X7,5, AZM190-B3/1X15, AZM190-B3V/2X15, AZM190-B3V/7,5 and AZM190-B3V/15 are for hinged guards. All actuators have 5 mm play in actuating direction.

**Mounting**

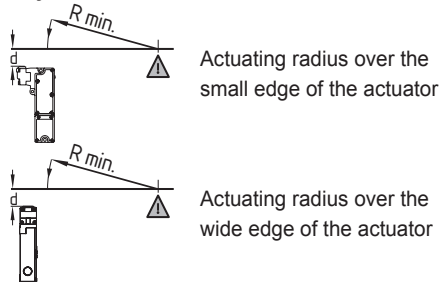
For fitting onto hinged safety guards, please ensure that the point of rotation of the hinge and the top surface of the safety switch plus d mm are in a parallel plane (see table). For actuators with slotted holes, the actuator must be fixed after fitting (pinning etc.). The actuators AZM190-B3/2X15, AZM190-B3/1X7,5, AZM190-B3/15, AZM190-B3V/2X15, AZM190-B3V/7,5 and AZM190-B3V/15 must be fitted so that they are protected against soiling (e.g. dust, sand and chips).



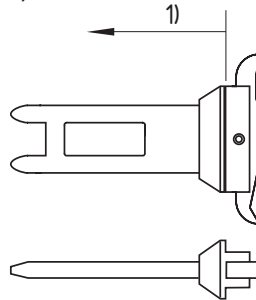
The safety component and the actuator must be permanently fitted to the safety guards and protected against displacement by suitable measures (tamperproof screws, gluing, drilling, pinning).

Actuating radii					
		R <sub>min</sub> [mm]	d [mm]	R <sub>min</sub> [mm]	d [mm]
	AZM190-B1	350	7.5	650	7.5
	AZM190-B5	350	15.5	650	15.5
	AZM190-B3/1X7.5	250	20	-	-
	AZM190-B3/1X15	200	20	-	-
	AZM190-B3/2X15	350	20	650	20
	AZM190-B3V/7,5	250	-	-	-
	AZM190-B3V/15	200	-	-	-
	AZM190-B3V/2X15	350	-	650	-

**Key**



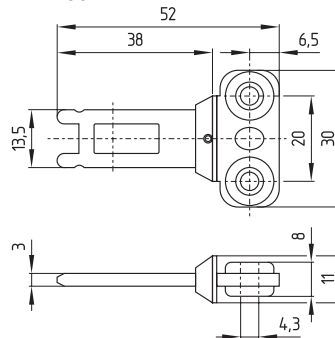
**1) Distance to the device head: 1.7 ... 4 mm**



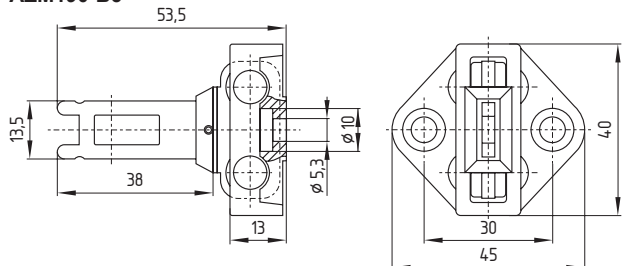
**Dimensions**

All measurements in mm.

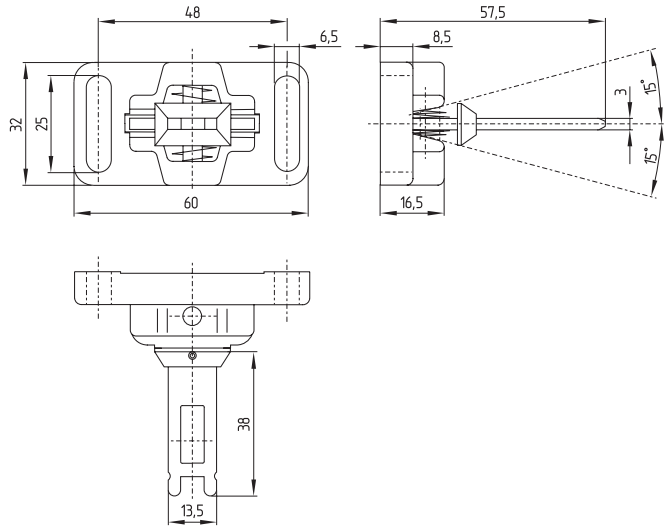
**AZM190-B1**



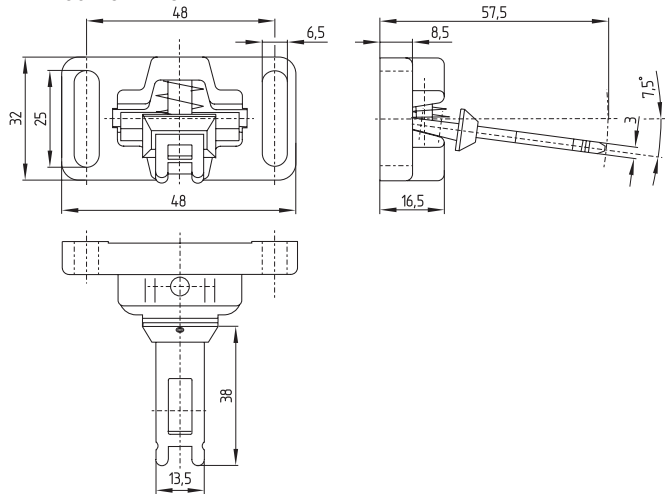
**AZM190-B5**



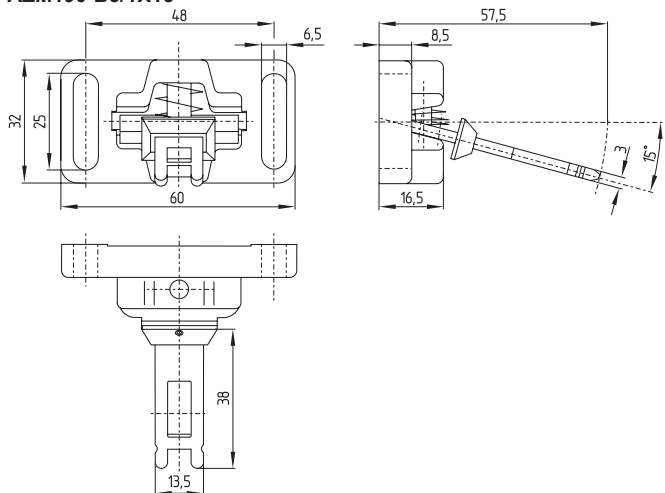
AZM190-B3/2X15



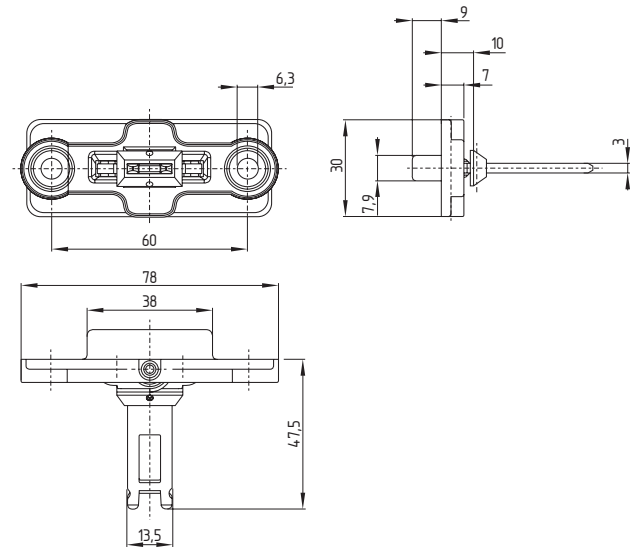
AZM190-B3/1X7.5



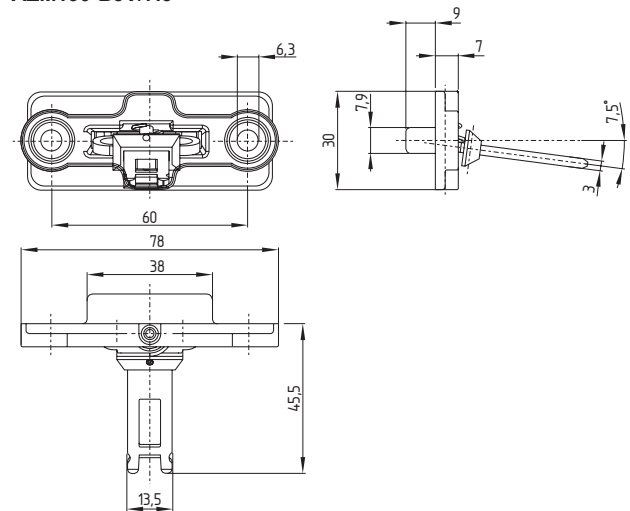
AZM190-B3/1X15



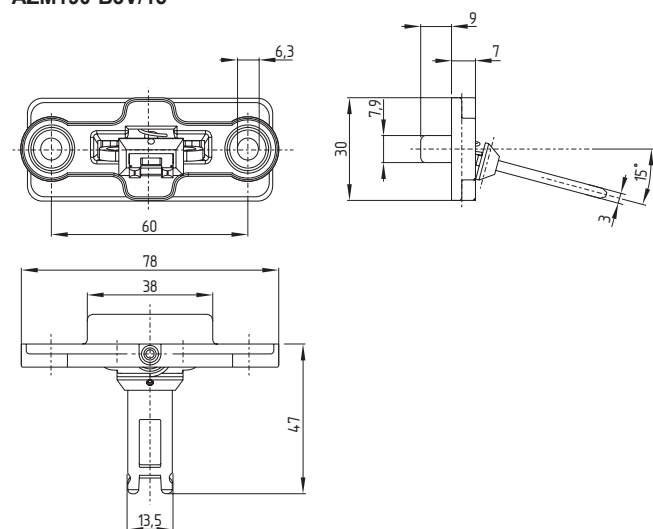
AZM190-B3V/2X15



AZM190-B3V/7.5



AZM190-B3V/15



**K. A. Schmersal GmbH & Co. KG**  
Mödinghofe 30, D - 42279 Wuppertal  
Postfach 24 02 63, D - 42232 Wuppertal

Phone: +49 - (0)2 02 - 64 74 - 0  
Telefax: +49 - (0)2 02 - 64 74 - 1 00  
E-Mail: [info@schmersal.com](mailto:info@schmersal.com)  
Internet: <http://www.schmersal.com>