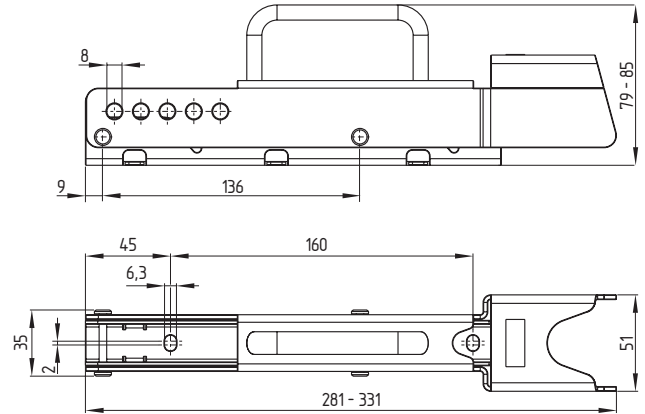




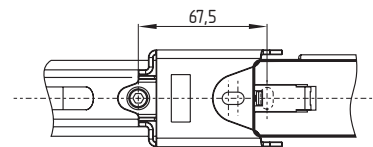
EN Operating instructions. page 1
Translation of the original operating instructions

i 1 up to 5 padlocks with a maximum shackle diameter of 6 mm can be fixed.
The padlocks are not included in the delivery.

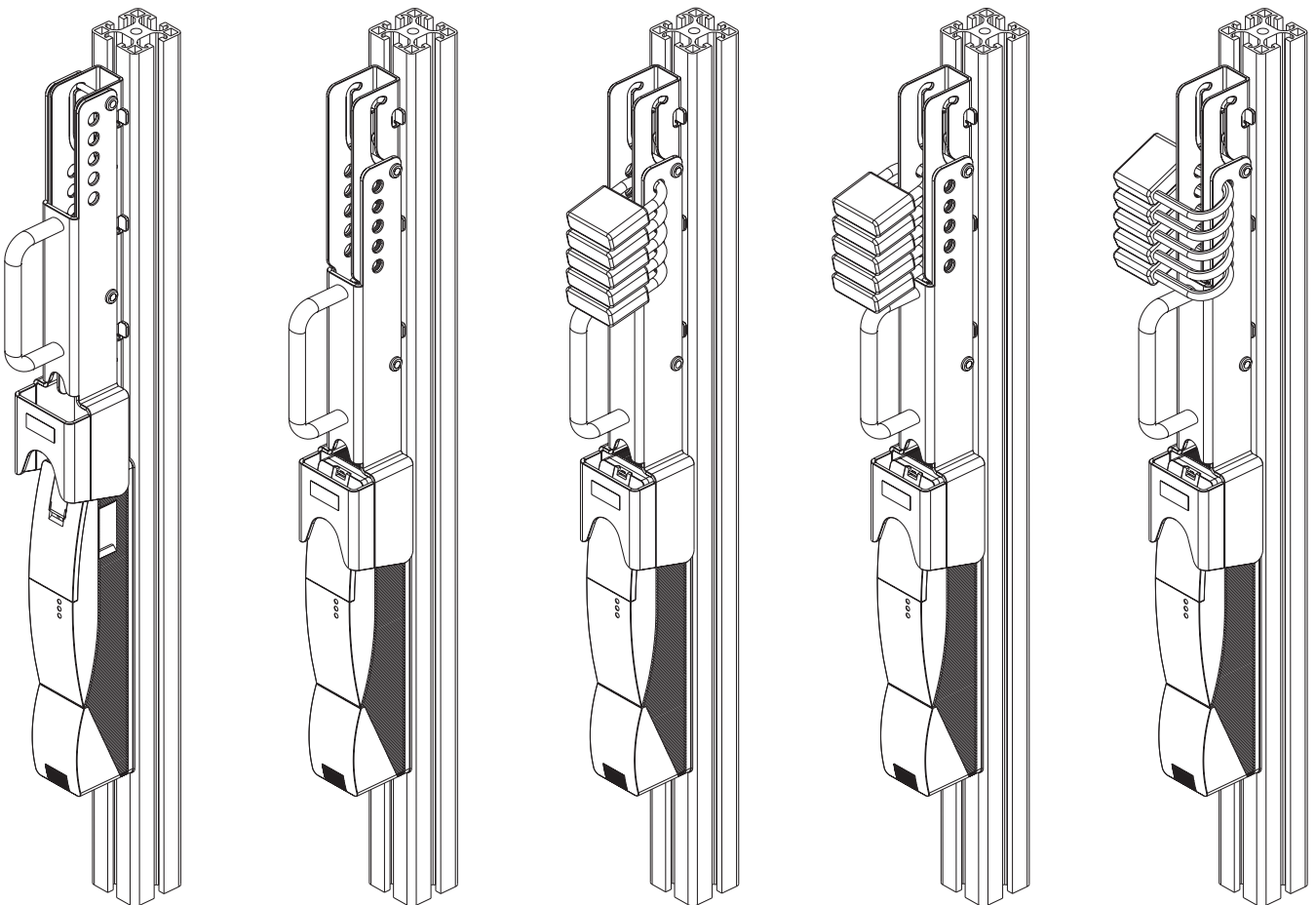
Dimensions
All measurements in mm.



Mounting distance SZ 200 / AZM 200



Application



K. A. Schmersal GmbH & Co. KG
Mödinghofe 30, D - 42279 Wuppertal
Postfach 24 02 63, D - 42232 Wuppertal

Phone: +49 - (0)2 02 - 64 74 - 0
Telefax: +49 - (0)2 02 - 64 74 - 1 00
E-Mail: info@schmersal.com
Internet: <http://www.schmersal.com>