

XUVE04M3PSNM8

photoelec sensor label fork 40x3 - 12..24 V DC
- PNP NO/NC connect M8



Main

Range of product	OsiSense XU
Series name	Application packaging
Electronic sensor type	Photo-electric sensor
Sensor name	XUV
Sensor design	Fork
Detection system	Thru beam
Emission	Infrared
Type of setting	With
Passage width	3 mm
Passage depth	40 mm
Material	PA (polyamide) 12
Supply circuit type	DC
Wiring technique	4-wire
Discrete output type	PNP
Discrete output function	1 NO or 1 NC programmable
Electrical connection	1 male connector M8, 4 pins
Product specific application	Detection of labels
[Sn] nominal sensing distance	3 mm thru beam

Complementary

Setting-up	Numeric potentiometer
Enclosure material	Polyamide
Lens material	PC
Accuracy	+/- 0.05 mm at 150 m/min
Label length	>= 2 mm
Distance between labels	>= 2 mm
Passing speed of object	<= 200 m/min
Type of output signal	Discrete
Output type	Solid state
Status LED	1 LED (yellow) for output state 1 LED (red) for adjustment mode and keypad locking
[Us] rated supply voltage	12...24 V DC with reverse polarity protection
Supply voltage limits	10...30 V DC
Switching capacity in mA	<= 100 mA (overload and short-circuit protection)
Switching frequency	<= 10 kHz
Voltage drop	<= 2 V (closed state)
Delay first up	<= 30 ms
Delay response	< 0.1 ms
Delay recovery	< 0.1 ms
Depth	64 mm
Height	25 mm
Width	10 mm
Product weight	0.035 kg

The information provided in this documentation contains general descriptions and/or technical characteristics of the performance of the products contained herein. This documentation is not intended as a substitute for and is not to be used for determining suitability or reliability of these products for specific user applications. It is the duty of any such user or integrator to perform the appropriate and complete risk analysis, evaluation and testing of the products with respect to the relevant specific application or use thereof. Neither Schneider Electric Industries SAS nor any of its affiliates or subsidiaries shall be responsible or liable for misuse of the information contained herein.

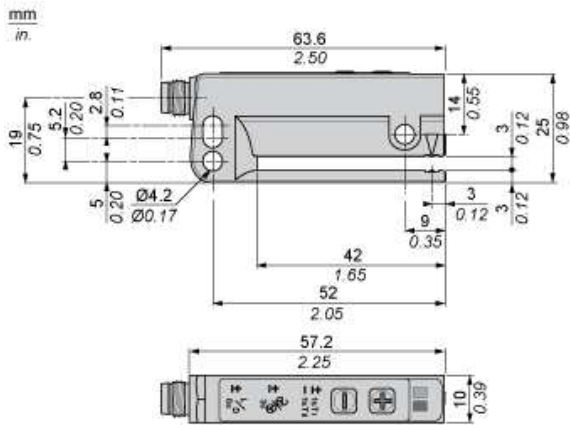
Environment

Product certifications	CE CULus
Ambient air temperature for operation	-20...60 °C
Ambient air temperature for storage	-30...80 °C
Vibration resistance	7 gn, amplitude = +/- 1.5 mm (f = 10...55 Hz) conforming to IEC 60068-2-6
Shock resistance	30 gn (duration = 11 ms) conforming to IEC 60068-2-27
IP degree of protection	IP65 conforming to IEC 60529

Offer Sustainability

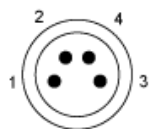
Sustainable offer status	Not Green Premium product
RoHS (date code: YYWW)	Compliant - since 1127 - Schneider Electric declaration of conformity
REACH	Reference not containing SVHC above the threshold

Dimensions



Wiring Schemes

Connector



- 1 : BN: Brown
- 2 : WH: White (remote teaching)
- 3 : BU: Blue
- 4 : BK: Black)

PNP Function



- (1) Remote teaching