



## Main

|                              |                                     |
|------------------------------|-------------------------------------|
| Range of product             | OsiSense XCC                        |
| Encoder type                 | Incremental encoder                 |
| Encoder name                 | XCC                                 |
| Product specific application | -                                   |
| Diameter                     | 58 mm                               |
| Shaft diameter               | 14 mm                               |
| Shaft type                   | Through shaft                       |
| Resolution                   | 1000 points                         |
| Output stage                 | Type X                              |
| Type of output stage         | Driver 5V, RS422                    |
| Electrical connection        | 1 male connector M23 radial 12 pins |
| [Us] rated supply voltage    | 4.75...30 V DC                      |
| Enclosure material           | Zamak                               |

## Complementary

|                          |                                                                       |
|--------------------------|-----------------------------------------------------------------------|
| Shaft tolerance          | H7                                                                    |
| Residual ripple          | 0...500 mV                                                            |
| Maximum revolution speed | 6000 rpm                                                              |
| Shaft moment of inertia  | 22 g.cm <sup>2</sup>                                                  |
| Torque value             | 0.006 N.m                                                             |
| Maximum load             | 5 daN radial<br>2 daN axial                                           |
| Output frequency         | 300 kHz                                                               |
| Number of channels       | 3                                                                     |
| Current consumption      | 0...75 mA (no-load)                                                   |
| Protection type          | Reverse polarity protection<br>Short-circuit protection               |
| Maximum output current   | 40 mA                                                                 |
| Output level             | High level: 4.5 V minimum (20 mA)<br>Low level: 0.5 V maximum (20 mA) |
| Surge withstand          | 1 kV, level 2 conforming to IEC 61000-4-5                             |
| Base material            | Aluminium                                                             |
| Shaft material           | Stainless steel                                                       |
| Type of ball bearings    | 6803ZZ                                                                |
| Product weight           | 0.435 kg                                                              |

## Environment

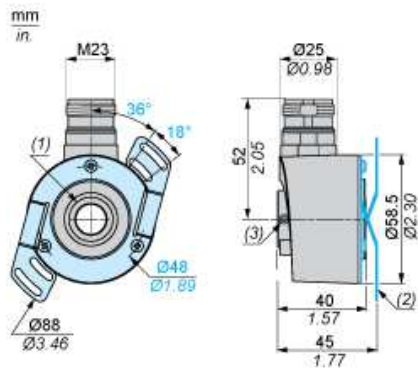
|                                       |                                                                                                                          |
|---------------------------------------|--------------------------------------------------------------------------------------------------------------------------|
| Marking                               | CE                                                                                                                       |
| Ambient air temperature for operation | -30...100 °C                                                                                                             |
| Ambient air temperature for storage   | -30...85 °C                                                                                                              |
| IP degree of protection               | IP65 conforming to IEC 60529                                                                                             |
| Vibration resistance                  | 10 gn (f = 55...2000 Hz) conforming to IEC 60068-2-6                                                                     |
| Shock resistance                      | 30 gn for 11 ms conforming to IEC 60068-2-27                                                                             |
| Resistance to electrostatic discharge | 8 kV (air discharge) level 3 conforming to IEC 61000-4-2<br>4 kV (contact discharge) level 3 conforming to IEC 61000-4-2 |

|                                      |                                                                                                                   |
|--------------------------------------|-------------------------------------------------------------------------------------------------------------------|
| Resistance to electromagnetic fields | 10 V/m level 3 conforming to IEC 61000-4-3                                                                        |
| Resistance to fast transients        | 2 kV (power ports) level 3 conforming to IEC 61000-4-4<br>1 kV (signal ports) level 3 conforming to IEC 61000-4-4 |

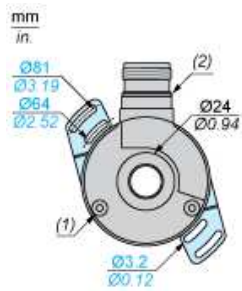
### Offer Sustainability

|                          |                                                                                       |
|--------------------------|---------------------------------------------------------------------------------------|
| Sustainable offer status | Not Green Premium product                                                             |
| RoHS (date code: YYWW)   | Compliant - since 0701 - <a href="#">Schneider Electric declaration of conformity</a> |
| REACH                    | Reference not containing SVHC above the threshold                                     |

Dimensions



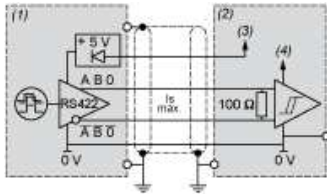
- (1) Through shaft,  $\varnothing$  14 (H7)
- (2) Flexible mounting kit, 1 x XCCRF5N mounted
- (3) 2 HC M4 x 4 locking screws



- (1) Hole for M3 x 6 self-threading screw
- (2) Nitrile seal

Wiring Diagram

Type X Output Stage

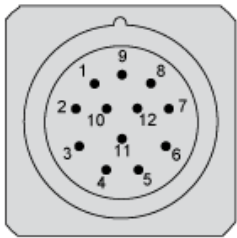


- (1) Encoder
- (2) Processing
- (3) Supply 4.75 V/30 V
- (4) Supply 5 V

Wiring Diagram

M23, 12-pin Connector Connections

Male Connector on Encoder



| Pin number    | 1              | 2  | 3 | 4              | 5 | 6              | 7 | 8 | 9 | 10  | 11  | 12 |
|---------------|----------------|----|---|----------------|---|----------------|---|---|---|-----|-----|----|
| Signal Supply | A <sup>-</sup> | +V | 0 | 0 <sup>-</sup> | B | B <sup>-</sup> | R | A | R | 0 V | 0 V | +V |

R = reserved, do not connect