

XGFEEC2525

field expander universal type - Sn 26..150 mm -
250 x 250 x 10 mm



Main

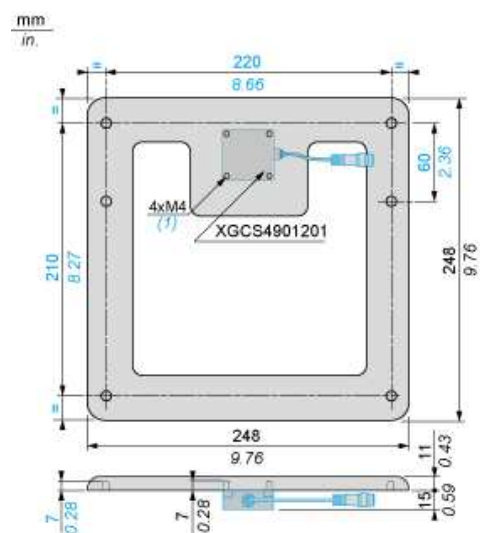
| | |
|---------------------------------------|--|
| Range of product | OsSense XG |
| Accessory / separate part type | Field expander |
| Product specific application | Universal |
| Product compatibility | XGC.S4901201 + XGHB221346 XGC.S4901201 + XGHB320345 XGC.S4901201 + XGHB90E340 XGC.S4901201 + XGHB320246 XGC.S4901201 + XGHB440245 XGC.S4901201 + XGHB520246 |
| Accessory / separate part destination | Station with associated label |
| [Sn] nominal sensing distance | 26..150 mm |

Complementary

| | |
|---------------------|-------------------|
| Accessory dimension | 250 x 250 x 10 mm |
|---------------------|-------------------|

Dimensions

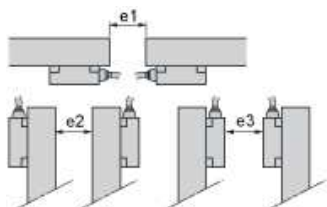
Field Expanders



(1) 4 x M4 screws

Minimum Mounting Distances

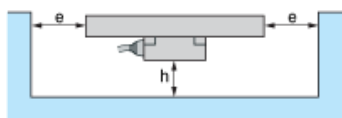
Distance Between Field Expanders



| Tag | e1 | e2 | e3 |
|------------|-----|------|------|
| XGHB90E340 | 570 | 890 | 960 |
| XGHB520246 | | | |
| XGHB320345 | 720 | 1275 | 1200 |

Minimum Mounting Distances in a Metal Structure

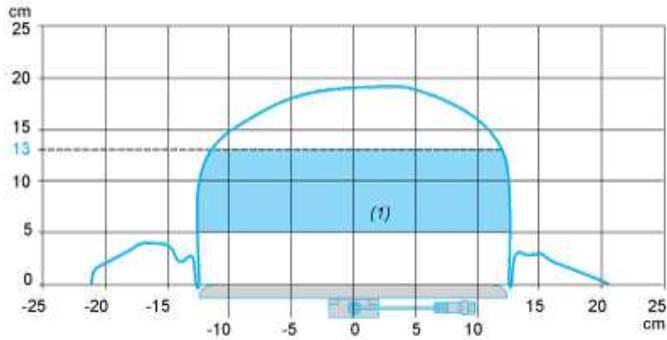
Distance Between Field Expanders



| Field expanders | |
|-----------------|--------|
| e (mm) | h (mm) |
| 0 | 75 |

Curves

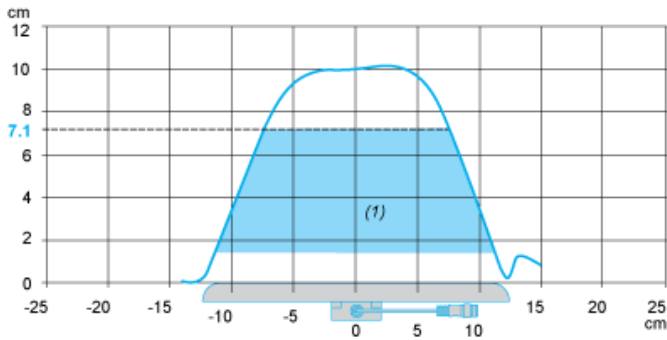
Dialogue Zones for Field Expanders



(1) Recommended working zone.

Curves

Dialogue Zones for Field Expanders



(1) Recommended working zone.