



## Main

|   |                                      |
|---|--------------------------------------|
| Range of product  | OsiSense ATEX D                      |
| Pressure sensor type                                    | Electromechanical pressure sensor    |
| Product specific application                            | ATEX D                               |
| Pressure sensor name                                    | XMLB                                 |
| Electrical circuit type                                 | Control circuit                      |
| Pressure switch type of operation                       | Regulation between 2 thresholds      |
| Scale type  | Adjustable differential              |
| Pressure sensor size                                    | 70 bar                               |
| Local display   | With                                 |
| Fluid connection type                                   | G 1/4 (female) conforming to ISO 228 |
| Adjustable range of switching point on falling pressure | 2.3...61.2 bar                       |
| Adjustable range of switching point on rising pressure  | 7...70 bar                           |
| Possible differential maximum at high setting           | 50 bar                               |
| Maximum permissible accidental pressure                 | 160 bar                              |
| Destruction pressure                                    | 320 bar                              |
| Pressure actuator                                       | Piston                               |
| Controlled fluid  | Hydraulic oil 0...160 °C             |
| Materials in contact with fluid                         | Brass<br>FPM, FKM<br>PTFE<br>Steel   |
| Enclosure material                                      | Zinc alloy                           |

## Complementary

|  |   |
|--|---|
| Maximum permissible pressure - per cycle | 90 bar  |
| Cable entry number                       | 1 tapped entry for M20 x 1.5 cable gland (included) |
| Terminal block type                      | 4 terminals   |
| Repeat accuracy                          | < 2 %   |
| Auxiliary contacts operation             | Snap action   |
| Contacts material                        | Silver contacts                                     |
| Mechanical durability                    | 6000000 cycles                                      |
| Setting                                  | External  |
| Terminals description ISO n°1            | (13-14-11-12)OF                                     |
| Height                                   | 113 mm  |
| Depth                                    | 75 mm   |
| Width                                    | 35 mm   |

The information provided in this documentation contains general descriptions and/or technical characteristics of the performance of the products contained herein. This documentation is not intended as a substitute for and is not to be used for determining suitability or reliability of these products for specific user applications. It is the duty of any such user or integrator to perform the appropriate and complete risk analysis, evaluation and testing of the products with respect to the relevant specific application or use thereof. Neither Schneider Electric Industries SAS nor any of its affiliates or subsidiaries shall be responsible or liable for misuse of the information contained herein.

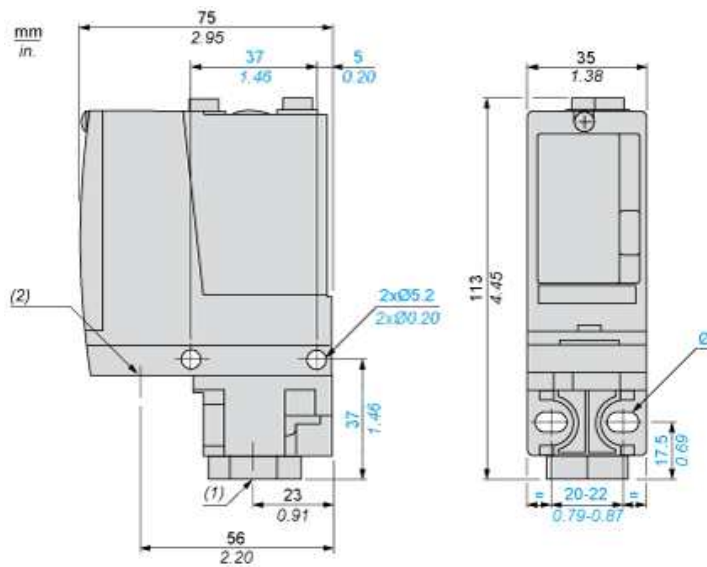
## Environment

|                                       |   |
|---------------------------------------|---|
| Standards                             | Directive ATEX 94/9/EC<br>EN/IEC 60079-0<br>EN/IEC 60079-31 |
| Product certifications                | INERIS 04ATEX0058   |
| Marking                               | II2 D-Ex tb IIIC T85°C Db IP66                              |
| Protective treatment                  | TC  |
| Ambient air temperature for operation | -20...60 °C   |
| Operating position                    | Any position  |

## Offer Sustainability

|                                  |   |
|----------------------------------|---|
| Sustainable offer status         | Green Premium product   |
| RoHS (date code: YYWW)           | Compliant - since 0945 - <a href="#">Schneider Electric declaration of conformity</a> |
| REACH                            | Reference not containing SVHC above the threshold                                     |
| Product environmental profile    | Available <a href="#">Download Product Environmental</a>                              |
| Product end of life instructions | Need no specific recycling operations   |

Dimensions



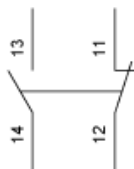
- (1) 1 fluid entry, tapped G1/4 (BSP female)
- (2) 1 electrical connections entry, tapped M20 x 1.5
- Ø : 2 elongated holes Ø 5.2 x 6.7

---

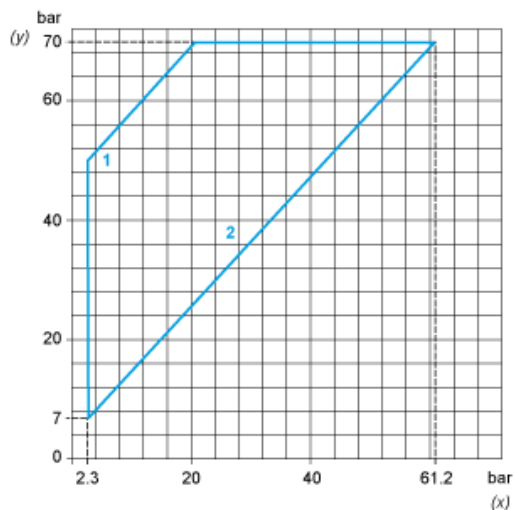
## Wiring Diagram

---

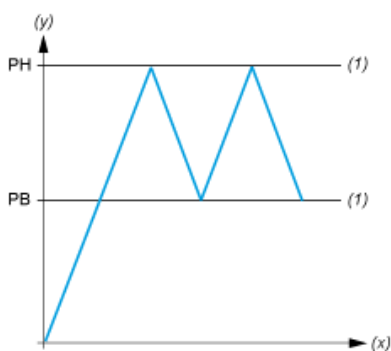
### Terminal Model



Operating Curves



- (y) Rising pressure
- (x) Falling pressure
- 1 : Maximum differential
- 2 : Minimum differential



- (y) Pressure
- (x) Time
- (1) Adjustable value
- PH : High point
- PB : Below point