

# XUZAM02

accessory for sensor - XUM - protective vertical mounting bracket - metal



### Main

Range of product	OsSense XU
Accessory / separate part category	Mounting and fixing accessory
Accessory / separate part type	Fixing bracket
Product or component type	Wrap around vertical mounting bracket
Accessory / separate part destination	Miniature sensor
Material	Plastic

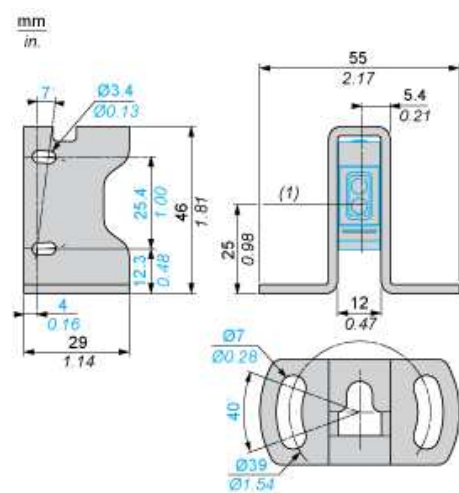
### Complementary

Product compatibility	XUM miniature sensor
Product weight	0.062 kg

### Offer Sustainability

Sustainable offer status	Not Green Premium product
RoHS (date code: YYYYMM)	Compliant - since 1214 - <a href="#">Schneider Electric declaration of conformity</a>

Dimensions



(1) Optical axis