


| Main | |
|------------------------------------|---------------------------------|
| Accessory / separate part category | Mounting and fixing accessories |
| Accessory / separate part type | Fixing bracket |

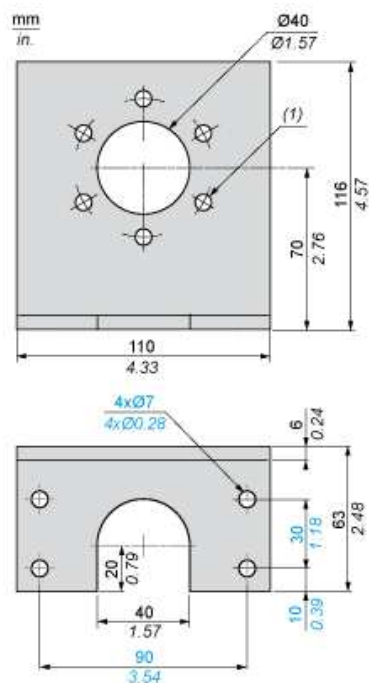
Complementary

| | |
|---------------------------------------|----------------------------------|
| Accessory / separate part destination | Ø 90 mm encoder with solid shaft |
| Product compatibility | XCC1912P XCC2912P XCC3912P |

Offer Sustainability

| | |
|--------------------------|---|
| Sustainable offer status | Not Green Premium product |
| RoHS (date code: YYYYMM) | Compliant - since 0701 -  Schneider Electric declaration of conformity |
| REACH | Reference not containing SVHC above the threshold |

Dimensions



(1) 6 holes Ø 7 for CHC M6 screws at 60° on 60 PCD