

XZCC20MCM30B

male, 1/2 20UNF, 3-pin, elbowed connector - cable gland Pg 7



Main

Accessory / separate part category	Cabling accessories
Accessory / separate part type	Connector
Electrical connection	Elbowed male connector 1/2 20 UNF, 3 pins
Collar material	Metal
Status LED	Without
Cable connection	Screw terminal / wire size $\leq 0.75 \text{ mm}^2$ / clamping capacity 3...6 mm

Complementary

Cable gland type	Pg 7
Cable connector fixing	Screw-on
[Ue] rated operational voltage	250 V AC
[In] rated current	4 A
Enclosure material	Plastic
Insulating resistance	$> 1000 \text{ G}\Omega$
Contact resistance	$\leq 8000 \text{ }\mu\text{Ohm}$
Product weight	0.025 kg

Environment

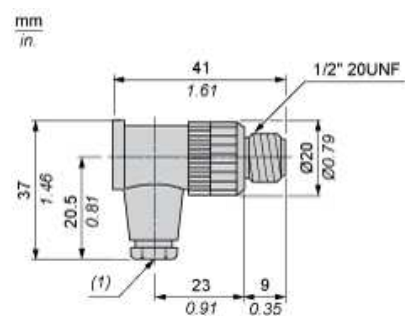
IP degree of protection	IP67
Ambient air temperature for operation	$-40\dots85 \text{ }^\circ\text{C}$

Offer Sustainability

Sustainable offer status	Not Green Premium product
RoHS (date code: YYWW)	Will be Compliant on 4Q2013

The information provided in this documentation contains general descriptions and/or technical characteristics of the performance of the products contained herein. This documentation is not intended as a substitute for and is not to be used for determining suitability or reliability of these products for specific user applications. It is the duty of any such user or integrator to perform the appropriate and complete risk analysis, evaluation and testing of the products with respect to the relevant specific application or use thereof. Neither Schneider Electric Industries SAS nor any of its affiliates or subsidiaries shall be responsible or liable for misuse of the information contained herein.

Dimensions



(1) Cable gland : no. 7 plastic (Pg 7)

Connections and Schemes

