

XUVA1515PANM8

photo-electric sensor - XUV - fork - 150mm -
12..24VDC - M8



Main

| | |
|-------------------------------|-----------------------------|
| Range of product | OsiSense XU |
| Series name | General purpose |
| Electronic sensor type | Photo-electric sensor |
| Sensor name | XUVA |
| Sensor design | Fork L |
| Detection system | Thru beam |
| Emission | Red LED, modulated |
| Passage width | 150 mm |
| Passage depth | 150 mm |
| Material | Metal/Plastic |
| Supply circuit type | DC |
| Wiring technique | 3-wire |
| Discrete output type | PNP |
| Discrete output function | 1 NO |
| Electrical connection | 1 male connector M8, 3 pins |
| Product specific application | Detection on small conveyor |
| [Sn] nominal sensing distance | 180 mm |

Complementary

| | |
|---------------------------|--|
| Enclosure material | Painted aluminium and polyamide/glass |
| Spot diameter | 1.2 mm |
| Type of output signal | Discrete |
| Output type | Solid state |
| Status LED | 1 LED (yellow) for output state |
| [Us] rated supply voltage | 12...24 V DC with reverse polarity protection |
| Supply voltage limits | 10...30 V DC |
| Switching capacity in mA | 100 mA (overload and short-circuit protection) |
| Switching frequency | 4000 Hz |
| Voltage drop | <= 1.5 V (closed state) |
| Current consumption | < 20 mA (no-load) |
| Product weight | 0.08...0.19 kg |

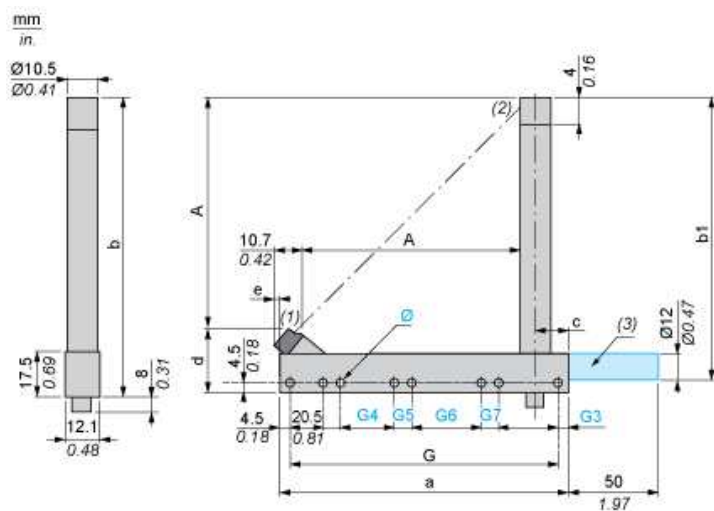
Environment

| | |
|---------------------------------------|--|
| Product certifications | CE |
| Ambient air temperature for operation | -10...60 °C |
| Ambient air temperature for storage | -40...80 °C |
| Immunity to ambient light | 10000 lux with natural light 5000 lux with incandescent bulb |
| Vibration resistance | 7 gn, amplitude = +/- 0.75 mm (f = 10...55 Hz) conforming to IEC 60068-2-6 |
| Shock resistance | 30 gn (duration = 11 ms) conforming to IEC 60068-2-27 |
| IP degree of protection | IP65 IP67 |

Offer Sustainability

| | |
|--------------------------|-----------------------------|
| Sustainable offer status | Not Green Premium product |
| RoHS (date code: YYWW) | Will be Compliant on 4Q2014 |

Dimensions



- (1) Transmission LED
- (2) Yellow LED: output signal
- (3) Optional fixing rod available on request. Please consult our Customer Care Centre

Dimensions in mm

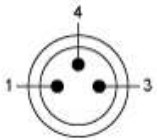
| Depth A | a | b | b1 | G | G3 | Ø | G4 | G5 | G6 | G7 | c |
|---------|-----|-----|-----|-----|-----|---------|----|----|----|----|-------|
| 142.3 | 175 | 184 | 176 | 166 | 4.5 | 8 x 4.3 | 24 | 8 | 60 | 8 | 19.75 |

Dimensions in in.

| Depth A | a | b | b1 | G | G3 | Ø | G4 | G5 | G6 | G7 | c |
|---------|------|------|------|------|------|-------------|------|------|------|------|------|
| 5.60 | 6.89 | 7.24 | 6.93 | 6.54 | 0.18 | 0.31 x 0.17 | 0.94 | 0.31 | 2.36 | 0.31 | 0.78 |

Wiring Schemes

M8 Connector



- 1 : BN: Brown
- 3 : BU: Blue
- 4 : BK: Black

PNP Output

