

---

**Main**

Accessory / separate part category	Mounting and fixing accessories
Accessory / separate part type	2" fixing collar

---

**Complementary**

Accessory / separate part destination	Ø 58 mm encoder with solid shaft
Product compatibility	XCC1510 XCC2510 XCC3510

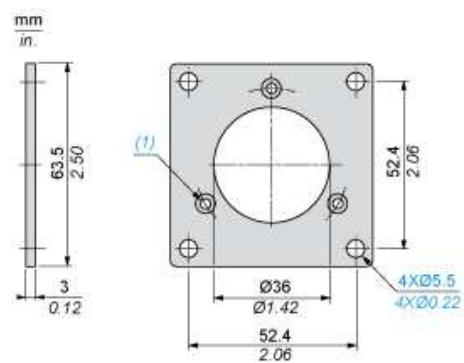
---

**Offer Sustainability**

Sustainable offer status	Not Green Premium product
--------------------------	---------------------------

---

Dimensions



(1) 3 holes M3.2 at 120° on  $\varnothing 48$  mm